

**COMPACT FILTRATION UNIT -ECO EQUIPEMENT DE FILTRACIÓN A DOS -ECO EQUIPO  
COMPACTO DE FILTRACION -ECO GRUPPO DI FILTRAZIONE COMPATTO -ECO  
KOMPAKTFILTERANLAGE -ECO EQUIPAMENTO DE FILTRAÇÃO DE MOCHILA -ECO**



*INSTRUCTIONS AND OPERATION MANUAL  
MANUEL D'INSTRUCTIONS ET DE FONCTIONNEMENT  
MANUAL DE INSTRUCCIONES Y FUNCIONAMIENTO  
EINBAU-UND BETRIEBSANLEITUNG  
MANUALE DI ISTRUZIONI E FUNZIONAMENTO  
MANUAL DE INSTRUÇÕES E FUNCIONAMENTO*

**Model. 22 439/22440**



**IMPORTANT:** this instruction manual contains essential information regarding safety measures to be taken when installing and starting-up. It is therefore important that both the installer and the user read these instructions before assembly and operation.

- All electrical installations should comply with the following standard

European Low Voltage Directive 2006/95/CE,  
EN 60335-2-41, safety of household or similar electrical appliances, particular requirements for pumps

As such with all rules pertaining to “*to the construction of electrical installations within specific confines: swimming pools and fountains*”, or the equivalent standard in force in each region or country.

- The electrical installation should be done by someone qualified in working with electrical equipment. This equipment is not designed for those with a physical, sensory or mental handicap or people lacking in experience, unless done under supervision or with instructions of use from a person in charge of safety.
- The height of the sand should not exceed 2/3 of the height of the tank.
- The equipment must not be switched on while the pool is being used.
- Do not operate the equipment unless it is properly primed.
- NEVER touch the filter when it is operating if you are wet or have wet hands.
- When handling the filter or valve, DISCONNECT the power supply.
- Make sure that the ground is dry before touching the electrical equipment.
- Do not allow children or adults to sit on or lean against the equipment. Children should be supervised to ensure that they do not play with the equipment.
- The equipment should be connected to a voltage of 230 V alternating current and 50 Hz power point, with earth connection, protected by a residual current device (RCD) having a rated residual operating current not exceeding 30 mA.
- It is essential that you use a multiple disconnection device with a space of at least 3 mm between surfaces to disconnect the filter from the electrical current.
- This equipment should be installed in pools with a maximum depth of 1.5 m.
- The equipment described in this manual is designed to be used with clean swimming pool water at temperatures lower than 35 °C. Its use with any other types of water has not been considered.
- Any modification to be made to the equipment requires prior authorisation from the manufacturer. Original replacement parts and accessories authorised by the manufacturer guarantee a higher level of safety. The manufacturer of the equipment will not be held responsible for damage caused by non-authorized replacement parts or accessories.
- During operation, some parts of the equipment are at dangerous electrical voltages. Work on each element or on equipment linked to it can only be done after disconnecting them from the mains and after disconnecting starter devices.
- In the event of faulty operation or breakdown, contact the manufacturer’s Service Centre, or the manufacturer’s nearest representative.
- The standard UNE 20-460-93 Part 7-702: ELECTRICAL INSTALLATIONS IN BUILDINGS. SPECIAL INSTALLATIONS FOR POOLS must be complied with.
- The cover of the filtration box should ALWAYS be closed with a lock and key.

## 1. CHECK THE PACKING CONTENTS

The Combo filtration unit is packed in one box with the following contents: **(fig.1) (p. 71)**

- a. Front module
- b. 2 DIN 571 M8x50 screws with corresponding washers and plugs for concrete
- c. 2 rubber pads
- d. Filtration equipment box
- e. Filtration box drain

## 2. GENERAL FEATURES

The Combo filtration unit is a filtering system for swimming pool water, consisting of two basic elements: the front module which is placed on the wall of the swimming pool and a filtration unit which contains the pump, filters and control panel. These elements are connected to one another by 3 conduits and 1 electric cable.

### Description of the components (fig. 2, 3 and 3.1) (p. 71)

- |    |                                 |
|----|---------------------------------|
| 1  | Body of the front module        |
| 2  | Lamp. Only in model 22440       |
| 3  | Access cover to skimmer         |
| 4  | Hinged cover of the skimmer     |
| 5  | Connection for vacuum head hose |
| 6  | Nozzle to drive filtered water  |
| 7  | Body of the filtration box      |
| 8  | Top cover of the box            |
| 9  | Pump                            |
| 10 | Filter                          |
| 11 | Selector valve                  |
| 12 | Control panel                   |
| 13 | Transformer                     |
| 14 | Lamp cable packing gland        |
| 15 | Pneumatic switch                |
| 16 | Lock                            |
| 17 | Suction valve                   |

The compact filtration system can perform four functions within a single unit:

- Filters swimming pool water.
- Provides a connection for a vacuum head.
- Empties the pool.
- Provides swimming pool lighting. Only in model 22440.

The advantage of using compact equipment is that installation is minimum. An electrical outlet and two drains are all that is needed. The compact filtration unit meets standard UNE 20-460-93. Under no circumstances will the manufacturer be held responsible for the assembly, installation or start-up of any incorporation of electrical components that has not taken place on its premises.

## 3. INSTALLATION AND ASSEMBLY

All electrical installations should comply with the following standard:

European Low Voltage Directive 2006/95/CE,

EN 60335-2-41, safety of household or similar electrical appliances, particular requirements for pumps

As such with all rules pertaining to *“to the construction of electrical installations within specific confines: swimming pools and fountains”*, or the equivalent standard in force in each region or country.

- This equipment should be installed in pools with a maximum depth of 1.5 m.
- Do not submerge the equipment or put it in a place where it could be submerged.
- It is recommended that the filtration box is not drilled as water in the ground could penetrate through any underground holes.

To install the unit, follow the steps below:

## INSTALLATION OF THE COMBO FRONT MODULE

- Place the Combo in the most suitable position bearing in mind the direction of prevailing wind.
- The front module of the Combo should be located in the area where dirt accumulates (leaves and other floating particles), meaning that it should be placed centrally on the wall which is against the direction of the prevailing wind (**fig. 4**) (**p. 71**).
- Having decided on the most suitable position for the front module, the wall should be prepared for installation.
  - In a new pool, plan to leave the crown with the conditions specified in the installation diagram.
  - In an existing pool, part of the crown will have to be removed to provide the following specifications: Part of the pool wall should be left free from the crown (82 cm), so that the front module can be incorporated. The water level of the pool should cover half the hinged gate of the skimmer. It is recommended that an approximate distance of 12 cm is left between the water level and the base where the front module rests (**fig. 5**) (**p. 71 and installation diagram**).
- The surface on which the equipment rests should be completely horizontal and flat so that the equipment is exactly aligned to the wall.
- Place the front module of the Combo in the cavity of the crown so that it rests on the pool wall and is vertically aligned to the wall. Mark on the upper part of the wall where the drill holes should be made to secure the equipment (**fig. 6**) (**p. 71**).
  - **Note:** the front module should rest on the rubber pads.
- Remove the front module from the wall and make 2 drill holes for the plugs supplied. Clean the surface, put the plugs and rubber pads supplied in place and reassemble the front module in its final position. Secure using DIN 571 M8x50 screws and their corresponding washers (supplied) (**fig. 6**) (**p. 71**).

## INSTALLATION OF THE FILTRATION BOX

**IMPORTANT:** the installation of the compact filtration unit **must follow and meet the different regulations in force**. The dimensions given in the installation diagram should be followed (**fig. 5**) (**p. 71**).

- The filtration box is installed, joined directly to the front module (**fig. 7**) (**p. 72**). On assembling the two modules, they should be placed in such a way that the hinged cover of the filtration box falls onto the front module and closes it. In order to install the assembled equipment, the wall of the swimming pool should not be more than 22 cm thick. Mark on the ground the area where the filtration box is to be placed (**fig. 5**) (**p. 71**) (**see the installation diagram**).
- For easy connection of the drain and other conduits, a hole should be dug allowing 15-25 cm around the whole of the filtration box in order to connect the drains and for subsequent refilling (**see the installation diagram**).
- The hole should be dug to a minimum depth of 90 cm. Channels should also be made for the supply of running water, drains and electrical power up to the position of the filtration box, as shown in the **installation diagram** (**fig. 7**) (**p. 72**).
- Before installing the box, the lower drain must be installed inside the hole at the base of the box, having first removed the red plug (**fig. 8**) (**p. 72**). It is essential that this drain is installed, otherwise the box may fill up with water and earth that enters the hole, jeopardising the equipment.

### IMPORTANT

- For transport purposes, the filter drain of the filtration box is disconnected. It must be connected using the three-part connection before it is connected outside (**fig. 9**) (**p. 72**).
- Level the base of the pit and wedge the box so that it does not rest on the lower drain. Place the box on the bottom ensuring that the top is level with the ground (**fig. 10**) (**p. 72**).

### VERY IMPORTANT

- **Connect the filter drain and gravity drain separately.** These drains cannot be joined together, otherwise when the pool is emptied through communicating containers, the water would penetrate through the base of the box and flood it. Use Ø 50 for the pump drain and Ø 32 for the gravity drain (**fig. 11**) (**p. 72**).

## CONNECTING THE FRONT MODULE TO THE FILTRATION BOX

- The inlets and outlets of both bodies will face one another and be aligned.
- To join the two parts of the module, connect the outlets and inlets of the front module and the filtration box.

The design of the appliance allows for a slight deviation between the pipes. PVC pipe glue (not supplied) should be used.

- The appliance is designed to be fitted in a pool with a 22 cm wall. If the dimensions are smaller, the pipes will need cutting to fit the new dimensions.

## CONNECTING ELECTRICAL ELEMENTS

- Check that the ground connection of the installation is correct.
- The electrical installation should be done by someone qualified in working with electrical equipment. This equipment is not designed for those with a physical, sensory or mental handicap or people lacking in experience, unless done under supervision or with instructions of use from a person in charge of safety.
- The equipment should be connected to a voltage of 230 V alternating current and 50 Hz power point, with earth connection, protected by a residual current device (RCD) having a rated residual operating current not exceeding 30 mA.
- It is essential that you use a multiple disconnection device with a space of at least 3 mm between surfaces to disconnect the filter from the power supply.

- Insert the power cord (not supplied) through the back packing gland of the filtration box. The use of H07-RNF cable with three wires and 1.5 mm<sup>2</sup> section is recommended. Pass the cable around the edge of the equipment to the control panel. Open the control panel, pass the cable through the packing gland marked 230 V and secure the three terminals to the strips identified with the labels N, L and T (grounding), as indicated in **(fig. 14) (p. 73)**.

- Insert the cable from the front module (lamp cable) through the front packing gland of the filtration box **(p. 71) (position 14, fig. 3)** and connect it to the control panel strip marked 12 V designed for this purpose **(fig. 12) (p.72)**.

**VERY IMPORTANT: when connecting the electricity supply, make sure that the light is not switched on without being submerged in water. If this does occur, turn it off immediately using the pneumatic switch (fig. 13) (p. 73).**

- Fill the cavities around the box with sand, compacting the sand to ground level.

## 4. START-UP

- The pump should not be started up without having been primed.
- The filtration operation should not be started up if the water level does not cover part of the hinged cover of the skimmer.
- The underwater light should never be switched on if it is not submerged in the water.

To start-up the filtering equipment, follow these steps:

- Ensure that the suction valve is closed (fig. 17, position A).
- Loosen all the three-part connections of the selector valve **(fig.15) (p. 73)**.
- Remove the selector valve and the seal, taking care not to damage the seal.
- Carefully fill halfway with water.
- Load the filter with sand: for maximum performance of the filter, it is recommended that sand with a grain size of between 0.4 and 0.8 mm is used, reaching a height of approximately 2/3 of the filter.
- Cover the D.50 pipes with a bag and pour in the previously described sand contents, making sure not to damage the collectors.
- Place the selector valve and the corresponding seal, having first cleaned the closure area of sand and residues.
- Ensure that the water level of the swimming pool is sufficient to cover half the hinged cover of the skimmer **(fig. 5) (p.71)**.
- The pump should never be allowed to operate without water, otherwise the mechanical seal could be damaged causing water to leak.
- Check that all of the connections of the installation are correct and well secured.
- Before starting-up the equipment for the first time, the pump should be primed. To do this, remove the cover from the pre-filter and fill the pre-filter with water **(fig. 16) (p. 73)**. Close the pre-filter cover.

- Check that both the filter and the pump's pre-filter covers are properly closed. Open the suction valve
- Place the selector valve in the BACKWASH position (**fig. 17**) (**p. 38**).
- Place the timer switch in position I (**fig. 21**) or the speed selector in the manual position (**fig. 15**) (**p. 73**). Place the pump protection switch of the control panel in position I (connection) (**fig. 21**) (**p. 74**).
- Wash the sand (**see section 6**) (**p. 7**).
- To turn the equipment off, place the pump switch in the OFF position (disconnection) (**fig. 15**) (**p. 73**).
- Put the selector valve in the FILTER position (**fig. 17**) (**p. 73**).

## PROGRAMMING THE TIMER-PROGRAMMER

- The control panel has a timer-programmer to automate filtering times, start-up and shutdown of the equipment. To programme this function, follow these steps (this may vary depending on the timer model):
- Make sure that the pump switch is in the OFF position (disconnection) (**fig. 21**) (**p. 74**).
- To set the time: remove the transparent cover from the timer. Turn the inside dial of the timer in a clockwise direction until the current time is lined up with the arrow (triangle) on the base (**fig. 22**) (**p. 74**).
- To set the operation time: the timer has 48 tabs, each of which is equivalent to half an hour. The tabs can be raised (off) or pressed (on). Set the operation time by pressing the required tabs (**fig. 23**) (**p. 74**). Setting a daily filtering time of 8 hours (16 tabs) is recommended.
- To start-up automatic operation: The timer-programmer has a two position (I or II) switch. Position I starts the manual operation of the pump. On the other hand, position II allows the timer tabs to control the on or off function of the pump (**fig. 20**) (**p. 74**). **NOTE:** do not force the timer trigger when putting it into position II, as if the activated timer tab is pressed, the trigger will move to position I.
- Replace the transparent cover on the timer.

## 5. OPERATION

- Never stand on the cover of the filtration box or the front module.
- The cover of the filtration box should ALWAYS be closed with lock and key.
- Do not allow children or adults to handle or sit on the equipment.
- Never use the front module as a diving board to dive into the pool.
- Never use the front module as a support for getting out of the pool.
- Keep the space for the skimmer (where the basket is located) free of objects.
- Keep the skimmer baskets and the pre-filter of the pump clean.

### OPERATION: WATER FILTERING

The skimmer is the filtering element which collects water from the surface. The water passes through the skimmer basket. The larger particles remain trapped in the basket, and the impurities which cannot be retained pass through to the cartridge filter where they are filtered. For the water filtering operation, follow these steps:

- Place the pump switch in the OFF position (disconnection) (**fig. 21**) (**p. 74**).
- Place the selector valve in the filter position and the three-way valve in the skimmer position. (**fig. 17**) (**p. 73**).
- To programme an automatic timed filtering operation, set the programmer as described in the "Programming the timer" section of this manual. If you wish to start-up the filtering operation manually, place the timer switch in position I (**fig. 20**) (**p. 74**) and turn on the pump by placing the switch in the ON position (connection) (**fig. 21**) (**p. 74**).
- To stop the filtering operation, place the pump switch in the OFF position (disconnection) (**fig. 21**) (**p. 74**). If you wish to leave the pump in the automatic timed filtering position, leave the pump switch in the ON position (**fig. 21**) (**p. 74**) and the timer trigger in position II, without forcing it (**fig. 20**) (**p. 74**).

### OPERATION: SWIMMING POOL LIGHTING

The compact filtration unit is fitted with an underwater light to illuminate the swimming pool. To turn it on or off, simply press the pneumatic switch of the light located at the back of the filtration box (**fig. 13**) (**p. 73**). The light is designed to be totally submerged in freshwater swimming pools. It is a class III electrical apparatus with a very low safety voltage (12 V with alternate current). The light meets the IPX8 protection standard (resistant to the penetration of dust, solid bodies and moisture) with a nominal immersion depth of 2 m.

The light meets international lighting safety standards, particularly standard EN 60598-2-18. LUMINAIRES PART 2: PARTICULAR REQUIREMENTS SECTION 18 LUMINAIRES FOR SWIMMING POOLS AND SIMILAR APPLICATIONS.

## VERY IMPORTANT

Never switch on the underwater light if it is not submerged in water, otherwise the lamp may become seriously damaged.

## 6. MAINTENANCE

- It is essential that contact is avoided with the moving parts of the equipment, including accidental contact.
- Wait until the machine has come to a complete stop before carrying out any procedures on the equipment.
- Before carrying out any electrical or mechanical maintenance work, ensure that the machine has been disconnected from the electricity supply and that the starters are blocked.
- Make sure that the ground is dry before touching electrical equipment.
- Do not handle the equipment whilst you have wet feet.

### WASHING THE FILTER

The filter should be washed when the flow is seen to fall off. To wash the filter, proceed as indicated:

- Place the pump switch in the OFF position (disconnection) **(fig. 21) (p. 74)**.
- Place the selector valve in the "backwash" position.
- Connect the pump for two or three minutes. It is recommended that the viewer of the selector valve is monitored in order to determine the precise duration.
- After the washing operation, stop the pump by placing the pump switch in the OFF position (disconnection) **(fig. 21) (p. 74)**.

### CLEANING THE SKIMMER BASKET

The skimmer basket accumulates leaves and other particles floating in the water. The basket should be cleaned from time to time so that it does not become blocked. To remove the basket, proceed as follows:

- Place the pump switch in the OFF position (disconnection) **(fig. 21) (p. 74)**.
- Open the access cover to the front module skimmer **(fig. 16) (p. 73)**.
- Take the handle of the basket and turn it until it can be removed vertically **(fig. 25) (p. 75)**.
- Once leaves and other particles have been cleaned from the basket, it should be put back into position. To secure it correctly, turn the basket inside its cavity until it locks and cannot be pulled out vertically.

### CLEANING THE PRE-FILTER OF THE PUMP

It is advisable that the condition of the pre-filter of the pump is checked periodically to ensure that it does not become blocked. If there is accumulated dirt, the unit must be opened and cleaned. To clean the pre-filter, proceed as follows:

- Place the pump switch in the OFF position (disconnection) **(fig. 21) (p. 74)**.
- Turn off the pump's suction valve **(fig. 17) (p. 73)**.
- Remove the cover, and take out the pre-filter basket for cleaning. **(fig. 16) (p. 73)**.
- Place the basket back in its position. Put the cover seal correctly into place to close it, ensuring that the valve seat is clean.
- Turn on the pump's suction valve.

### MAINTENANCE OF THE LIGHT

**CAUTION:** before handling the light, ensure that NO voltage is connected. To do this, **disconnect the equipment from the electrical supply.**

To draw out the light to the edge of the swimming pool, the trim ring should be removed with the help of a screwdriver, through the four grooves on the trim ring (**fig. 26**) (**p. 75**). Remove the 6x20 screws (**no. 11**) (**p. 10**) (**fig. 27**) (**p. 75**). Draw out the light to the edge of the swimming pool. Dismantle the light, removing the nuts (**no. 15**) (**p. 10**) which secure the trim ring (**no. 2**) (**p. 10**) to the screen and flange set (**no. 5**) (**p. 10**) in order to gain access to the lamp (**fig. 28 and fig. 29**) (**p. 75**). Pull the lamp (**no. 7**) (**p. 10**) (**fig. 30**) (**p. 75**) to separate it from the lamp holder (**no. 13**) (**p. 10**) and connect the new one (**fig. 30**) (**p. 75**).

**VERY IMPORTANT:** to change the lamp, **always use the cardboard protector and never touch the new lamp with bare hands.**

Assemble the light using a screwdriver in the opposite order to the procedure described. Do not tighten the cable under any circumstances.

**CAUTION**

- The new lamp must have the same characteristics as the one supplied with the light: halogen 100 W 12 V (AC).
- To ensure complete watertightness, the seat of the light lens O-ring should be cleaned (**no. 4**) (**p. 10**) or replaced if any notching or permanent deformities are observed.

**PREPARING THE EQUIPMENT FOR WINTER**

It is recommended that the equipment is prepared for winter or for a prolonged period when it is not in use. To do this, follow these steps:

- Place the pump switch in the OFF position (disconnection) (**fig. 21**) (**p. 74**).
- Empty the filter, pump and water pipes.

**CAUTION**

- If the surface of the swimming pool freezes up, it is advisable to remove the front module from the swimming pool to avoid damage.

**7. TROUBLESHOOTING**

PROBLEM	REASONS	SOLUTIONS
The equipment does not circulate the water.	No electrical power.	Check the electrical connection and ensure that electricity reaches the socket.
	Motor protector is not properly adjusted.	Check the pump consumption and adjust the motor protector on the control panel.
The equipment circulates only a little water.	The filter is dirty	Clean the filter.
	Pre-filter of the pump or skimmer is blocked.	Clean the pump pre-filter or the skimmer basket.
	Air enters the suction pipe.	Check the condition of connectors and suction pipe joins.
	Water level of the swimming pool is insufficient	Fill the swimming pool until the water covers half the hinged gate of the skimmer.
	Incorrect voltage.	Check that the mains voltage matches the voltage indicated on the motor's rating plate.
The pump does not prime.	Air intake.	Check all pipe connections and the pump cover. Fill the pre-filter of the water pump.
The housing fills with water.	The drain of the box has not been installed.	Install a drain to remove water from the box.
The filtration module fills with water when the pool is emptied.	The pump drains and waste drains are connected to one another.	Change the installation of the drains so that each has its own drainage pipe.
The lamp does not light up.	No electrical supply.	Check that it is properly connected.
	The lamp has blown.	Change the lamp.
	Pneumatic switch is disconnected.	Check that the switch tube is correctly connected.



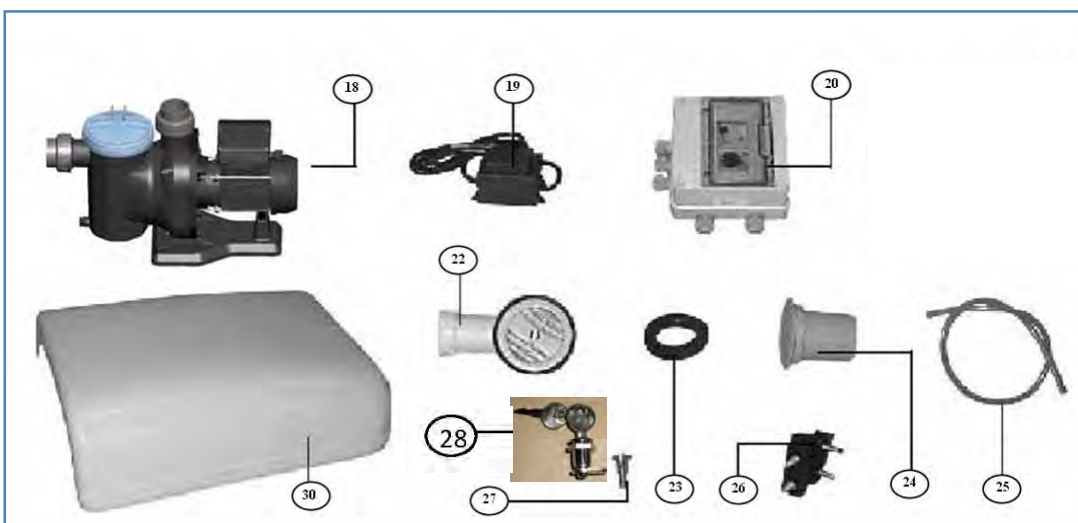
## 8. SPARE PARTS

### SPARE PARTS FOR FRONT MODULE



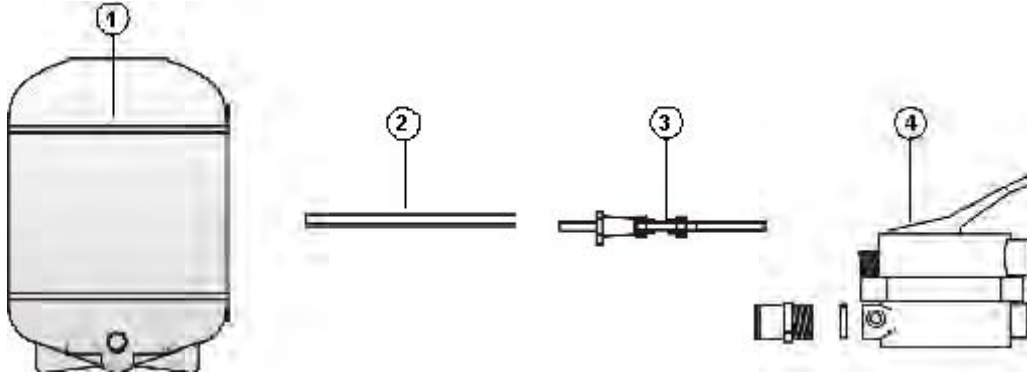
No.	CODE	DESCRIPTION	No.	CODE	DESCRIPTION
1	22440R0300	Upper cover of skimmer	9	00300R0002	Suction plug
2	05280R0200	Hinged cover of the skimmer	10	01353R0012	Clip
3	09096-0140	Basket	12	70134R08050	Stainless steel screw D8*50 DIN 571
4	00361R	Light	13	18546R1304	Flat seal 9*25*1.5
5	020408004R	Suction nozzle elbow	14	70139R08000	Stainless steel washer D8 DIN 9021
7	04035R000	Suction nozzle	15	15260R0203	Rubber plug 9*25*15
8	20888R0200	Vacuum head adaptor	16	00041R0104	Fisher plug No.10

### SPARE PARTS FOR FILTRATION BOX



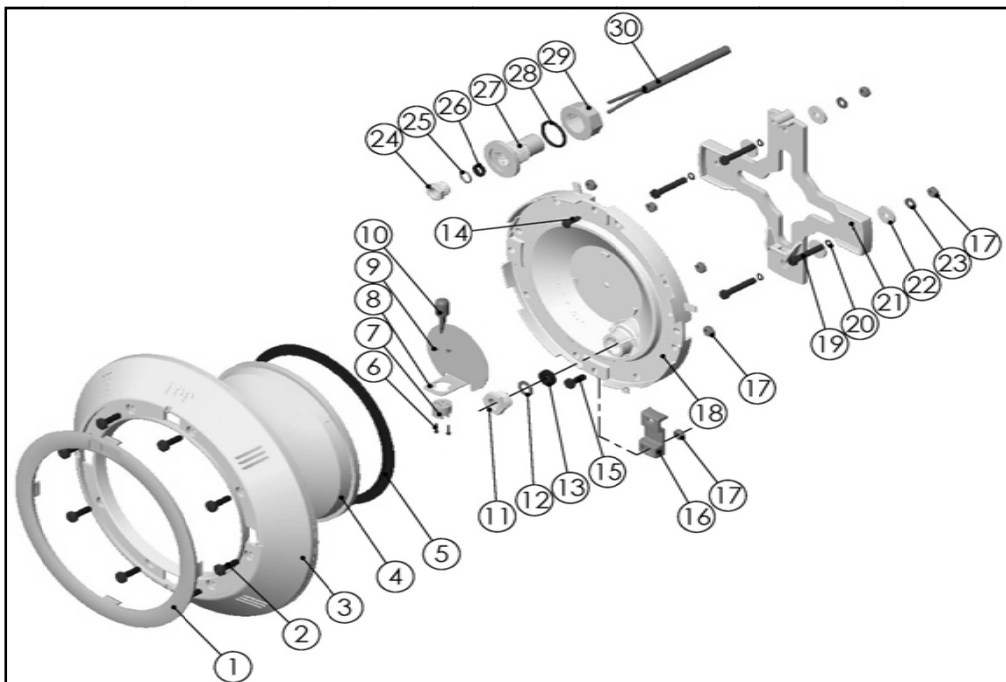
No.	CODE	DESCRIPTION	No.	CODE	DESCRIPTION
18	25463	Sena 3/4 hp. single-phase pump	25	00241R0404	Plastic tube
19	18546R2242 /	Transformer	26	00621R0201	Hinge
20	22440R2243	Control panel (light option)	27	7013208020	Stainless steel screw M8X20 DIN 7985
22	031311001	Jimten drain housing	28	22440R4000	Lock kit
23	00615R0102	Grommet seal D.50	30	22440R0500	Top rear cover
24	04048R0100	Pneumatic switch			

### SPARE PARTS FOR FILTER



No.	CODE	DESCRIPTION	No.	CODE	DESCRIPTION
1	154050001S	Filter chamber ø 500	3	24182R0003	Metal band
2	720R1750057	O-ring cover	4	21442R	Top 6-way valve

### SPARE PARTS FOR LIGHT



No.	CODE	DESCRIPTION	No.	CODE	DESCRIPTION
1	18042R0001	Trim ring	10	00346R0011	Packing gland seal
2	18042R0002	Light trim	11	7013206020	Screw DIN 7985 A2 M6x20
3	00373	Clear lens	12	00346R0102	Ceramic strip
4	00346R0004	Light lens O-ring	13	00346R0103	Lamp holder
5	00346R0100	Screen and flange set	14	00346R0007	Cable H07 RN-F 2x1
6	00346R0014	Flat lamp mounting bracket	15	7012106000	Nut DIN 934 A2 M-6
7	00371	Halogen lamp 12V 100W	16	00346R0013	Securing hook
8	00346R0010	Packing gland nut PG-11	17	7010106016	Screw DIN 933 A2 M6x16
9	00346R0012	Packing gland washer 16.5x10.5x1.5			

**CONTENTS OF BAG**

No.	CODE	DESCRIPTION	AMOUNT	No.	CODE	DESCRIPTION	AMOUNT
18	00346R0005	Packing gland nut PG-9	1	24	7011448016	Screw DIN 7981 A2 4.8x16	1
19	00346R0009	Packing gland washer D.10	1	25	7010506035	Screw DIN 84 A2 M6x35	4
20	00346R0006	Packing gland seal 13x9.6x4 PG-9	1	26	7230050015	O-ring seal 5x1.5	4
21	00346R0015	Body wall conduits	1	27	00361R0001	Flush joint 20x6x2	4
22	7230195030	O-ring seal 19.5x3	1	28	7011906000	Washer DIN 125 A2 M-6	4
23	00361R0101	Wall conduit nut	1	29	7012106000	Nut DIN 934 A2 M-6	4

**IMPORTANT** : le manuel d'instructions que vous avez entre les mains contient des informations fondamentales concernant les mesures de sécurité à adopter au moment de l'installation et de la mise en service. Il est donc indispensable que l'installateur et l'utilisateur lisent attentivement les instructions avant de procéder au montage et à la mise en marche.

- Pour tout ce qui concerne l'installation électrique, il faut suivre les normes :

La Directive Européenne 2006/95/CE, relative au matériel électrique destiné à être employé dans certaines limites de tension, EN 60335-2-41, sécurité des appareils électrodomestiques et analogues, règles particulières pour les pompes, et la norme NF C15-100.

Ainsi que toute norme applicable ayant trait « à la construction d'installations électriques, aussi bien dans des piscines couvertes que dans des piscines en plein air », ou les normes analogues en vigueur dans chaque région ou pays.

- L'installation électrique doit être réalisée par des professionnels qualifiés en installations électriques. Cet appareil n'est pas destiné à des personnes avec des capacités physiques, sensorielles ou mentales réduites ou sans expérience, à moins qu'ils aient reçu une supervision ou des instructions concernant son utilisation par un responsable de la sécurité.
- La hauteur du sable ne doit pas dépasser les 2/3 de la hauteur du réservoir.
- Veillez à ce que l'appareil ne soit pas en marche pendant que vous utilisez la piscine.
- Ne faites pas fonctionner l'appareil s'il n'est pas amorcé correctement.
- Ne touchez JAMAIS le filtre en marche si vous avez le corps ou les mains humides.
- Chaque fois que vous devez manipuler le filtre ou la vanne, DÉBRANCHEZ-LES de la prise de courant.
- Vérifiez que le sol est bien sec avant de toucher l'équipement électrique.
- Ne placez pas le filtre dans un endroit où il pourrait être mouillé, cela pourrait provoquer une électrocution.
- Interdisez aux enfants et aux adultes de s'appuyer ou de s'asseoir sur l'appareil. Les enfants doivent être surveillés afin de s'assurer qu'ils ne jouent pas avec l'appareil.
- Il faut remplacer le câble flexible d'alimentation de cet appareil s'il est abîmé. Seuls le fabricant ou ses services techniques peuvent le remplacer.
- L'appareil doit être branché sur une prise de courant de 230 V alternatif et de 50 Hz, avec prise de terre, protégé par un interrupteur différentiel (RCD) avec un courant de fonctionnement résiduel assigné qui n'excède pas 30mA.
- Il est indispensable d'utiliser un dispositif de sectionnement électrique multiple avec une séparation minimum de 3mm entre les contacts afin de déconnecter le filtre de l'alimentation électrique.
- Cet appareil doit être installé dans des piscines avec une profondeur maximale de 1,5 m
- Les équipements cités dans ce manuel ont été conçus pour un usage dans des eaux de piscine propres et avec des températures qui n'excèdent pas les 35 °C. Leur usage dans tout autre type d'eau n'a pas été prévu.
- N'importe quelle modification de l'appareil requiert l'autorisation préalable du fabricant. Les pièces de rechange originales et les accessoires autorisés par le fabricant servent à garantir une plus grande sécurité. Le fabricant de l'appareil n'est en aucun cas responsable des dommages occasionnés par des pièces de rechange ou accessoires non-autorisés.
- Pendant le fonctionnement de l'appareil, certaines parties atteignent des voltages électriques dangereux. Le travail sur chaque élément ou équipement reliés à l'appareil ne pourra être effectué qu'après la déconnection du réseau électrique d'alimentation et des dispositifs de démarrage.
- En cas de fonctionnement défectueux ou de panne, s'adresser au Service d'Assistance Technique du fabricant, ou au distributeur du fabricant le plus proche.
- De cette manière, il est indispensable de respecter les normes UNE 20-460-93 Partie 7-702 : INSTALLATIONS ÉLECTRIQUES DANS DES ÉDIFICES. INSTALLATIONS SPÉCIALES POUR PISCINES.
- Le couvercle du local de filtration doit TOUJOURS être fermé à clé grâce aux serrures correspondantes.

## 1. VÉRIFIEZ LE CONTENU DE L'EMBALLAGE

L'emballage de l'appareil compact Combo contient 1 carton avec les éléments suivants : **(fig.1) (page 71)**

- a. Équipement frontal
- b. 2 vis DIN 571 M8x50 avec leurs rondelles respectives et chevilles pour béton
- c. 2 chevilles en caoutchouc
- d. Local du matériel de filtration
- e. Vidange du local de filtration

## 2. CARACTÉRISTIQUES GÉNÉRALES

L'équipement compact Combo est un système de filtration de l'eau de la piscine composé de 2 éléments principaux : un dispositif frontal qui se place sur la paroi de la piscine et un local de filtration contenant la pompe, le filtre et l'armoire électrique. Ces éléments sont reliés entre eux à l'aide de 3 tuyauteries et d'un câble électrique.

### Description des composants (Fig. 2, 3 et 3.1) (page 71)

1. Corps de l'équipement frontal
2. Projecteur. Uniquement pour le modèle 22440
3. Couvercle d'accès au skimmer
4. Volet du skimmer
5. Système de connexion prise balai
6. Buse pour l'impulsion de l'eau filtrée
7. Corps du local de filtration
8. Couvercle supérieur du local
9. Pompe
10. Filtre
11. Vanne sélectrice
12. Armoire électrique
13. Transformateur
14. Presse-étoupe câble projecteur
15. Bouton pneumatique
16. Serrure
17. Vanne d'aspiration

Le système compact réunit quatre fonctions dans un seul appareil :

- Filtration de l'eau de la piscine.
- Possibilité de prise balai.
- Vidange de la piscine.
- Éclairage de la piscine. Uniquement pour le modèle 22440

L'avantage d'utiliser un appareil compact réside dans la minimisation de l'installation. Il requiert uniquement une prise d'alimentation électrique et deux évacuations. Le système de filtration compact est conforme à la norme : UNE 20-460-93

Le fabricant n'est en aucun cas responsable du montage, de l'installation, de la mise en service ou de toute manipulation ou incorporation de composants électriques qui n'aurait pas été effectué dans ses locaux

## 3. INSTALLATION ET MONTAGE

Pour tout ce qui a trait à l'installation électrique, il faut suivre les normes :

La Directive Européenne 2006/95/CE, relative au matériel électrique destiné à être employé dans certaines limites de tension, EN 60335-2-41, sécurité des appareils électrodomestiques et analogues, règles particulières pour les pompes.

Ainsi que toute norme applicable ayant trait « à la construction d'installations électriques, aussi bien dans des piscines couvertes que dans des piscines en plein air », ou les normes analogues en vigueur dans chaque région ou pays.

- Cet appareil doit être installé dans des piscines avec une profondeur maximale de 1,5 m
- Ne pas immerger l'appareil ou le placer dans un endroit où il pourrait être immergé.
- Il est conseillé de ne pas perforer la caisse de filtration puisque l'eau contenue dans le terrain pourrait pénétrer par n'importe quel orifice qui serait enterré.

Pour effectuer l'installation, procéder comme suit :

## INSTALLATION DE LA PARTIE FRONTALE DU COMBO

- Placer le Combo dans la position la plus appropriée en tenant compte de la direction du vent dominant.
- La partie frontale du Combo doit être placée dans la zone où s'accumule la saleté (feuilles et autres particules flottantes), elle doit donc être centrée sur la paroi qui fait face au vent dominant **(fig.4) (page 71)**
- Une fois déterminée la position adéquate de la partie frontale, préparer la paroi pour son installation.
  - Si la piscine est en cours de construction, il faudra prévoir l'installation des margelles en fonction des conditions énoncées dans le schéma d'installation.
  - Si la construction de la piscine est finalisée, il faudra extraire une partie des margelles de la piscine et procéder aux opérations suivantes : Laisser une partie du mur de la piscine exempte de margelle (82 cm), pour y intégrer la partie frontale. Le niveau de l'eau de la piscine doit recouvrir la moitié du volet du skimmer. Il est recommandé de laisser un espace de 12 cm entre le niveau de l'eau et l'endroit sur lequel s'appuiera l'équipement frontal **(Fig. 5) (page 71 et schéma d'installation)**.
- La surface sur laquelle reposera l'appareil doit être totalement horizontale et plate afin que ce dernier soit parfaitement aligné contre la paroi.
- Placer l'équipement frontal du combo dans le creux des margelles de façon à ce qu'il repose sur la paroi de la piscine et soit aligné verticalement avec celle-ci, puis marquer sur la partie supérieure de la paroi les points sur lesquels il faudra percer des trous pour la fixer le matériel **(fig. 6) (Page 71)**.
  - **Remarque** : le dispositif frontal doit être posé sur les chevilles en caoutchouc.
- Retirer le dispositif frontal de la paroi et effectuer les 2 trous pour les chevilles fournies. Nettoyer la surface, placer les chevilles en caoutchouc fournies et replacer le dispositif frontal dans sa position définitive. Le fixer avec des vis DIN 571 M8x50 et leurs rondelles respectives, fournies avec le reste du matériel **(fig. 6) (page 71)**.

## INSTALLATION DU LOCAL DE FILTRATION

**IMPORTANT** : l'installation de l'appareil compact **doit respecter et être conforme aux différentes normes en vigueur**. Il faudra respecter les dimensions indiquées dans le schéma d'installation **(fig.5) (page 71)**.

- Le local de filtration est directement assemblé avec l'équipement frontal **(fig. 7) (page 72)**. Au moment d'assembler les deux dispositifs, ceux-ci doivent être placés de sorte que le couvercle basculant du local de filtration tombe sur l'équipement frontal en le fermant. Pour installer les deux parties assemblées, le mur de la piscine ne pourra présenter une épaisseur supérieure à 22 cm. Marquer sur le terrain la zone sur laquelle sera situé le local de filtration **(fig.5) (page 71) (voir le schéma d'installation)**.
- Pour faciliter le raccordement du système de vidange et des autres conduites, prévoir un terrassement de 15-25 cm de plus tout autour du local de filtration, pour permettre la connexion du système de vidange et le remplissage ultérieur **(voir le schéma d'installation)**.
- Effectuer un terrassement d'une profondeur minimum de 90 cm. Il faudra également réaliser les tranchées nécessaires pour la conduite d'arrivée d'eau, les vidanges et l'alimentation électrique jusqu'à l'emplacement du local de filtration, selon les consignes du **schéma d'installation (fig.7) (page 72)**.
- Avant de placer le local, installer la vidange inférieure dans l'orifice de la base du local, en retirant préalablement le bouchon rouge **(fig. 8) (page 72)**. Il est très important d'installer cette vidange car, dans le cas contraire, le local pourrait se remplir d'eau et de terre qui s'introduiraient par cet orifice et risqueraient d'endommager le matériel.

### IMPORTANT

- Pour des raisons de transport, le système de vidange du filtre n'est connecté au local de filtration. Il est indispensable de le connecter à l'aide du raccord trois pièces avant de procéder à son raccordement extérieur **(fig. 9) (page 72)**.
- Nivelier la base du terrassement et caler le local pour éviter qu'il ne s'appuie sur la vidange inférieure. Placer le local au fond en veillant à ce que la partie supérieure soit alignée au terrain **(Fig. 10) (Page 72)**.

### TRÈS IMPORTANT

- **Raccorder la vidange du filtre et la vidange par gravité séparément**. Les deux vidanges ne peuvent être raccordées ensemble car au moment de réaliser l'opération de vidange de la piscine, par vases communicants, l'eau pénétrerait par la base du local en l'inondant. Utiliser Ø 50 pour la vidange de la pompe et Ø 32 pour la vidange par gravité **(fig. 11) (page 72)**.

## RACCORDEMENT DU DISPOSITIF FRONTAL AVEC LE LOCAL DE FILTRATION

- Les entrées et sorties des deux corps doivent être face à face et alignées les unes par rapport aux autres.
- Pour assembler les deux parties de l'équipement, raccorder les sorties et les entrées du dispositif frontal et du local de filtration. La conception de l'équipement permet une légère déviation entre les tuyauteries. Il faudra utiliser de la colle PVC pour les tuyauteries (non fournie).
  - L'équipement est prévu pour être assemblé dans une piscine avec une paroi de 22 cm. En cas de dimensions inférieures, il faudra découper les tuyauteries pour les adapter aux nouvelles dimensions.

## BRANCHEMENT DES ÉLÉMENTS ÉLECTRIQUES

- Vérifier que la prise de terre de l'installation est correcte.
- L'installation électrique doit être réalisée par des professionnels qualifiés en installations électriques. Cet appareil n'est pas destiné à des personnes avec des capacités physiques, sensorielles ou mentales réduites ou sans expérience, à moins qu'ils aient reçu une supervision ou des instructions concernant son utilisation par un responsable de la sécurité.
- L'appareil doit être branché sur une prise de courant de 230 V alternatif et de 50 Hz, avec prise de terre, protégé par un interrupteur différentiel (RCD) avec un courant de fonctionnement résiduel assigné qui n'excède pas 30mA.
- Il est indispensable d'utiliser un dispositif de sectionnement électrique avec une séparation minimum de 3 mm entre les contacts afin de laisser le filtre hors tension lorsqu'il n'est pas utilisé.

- Introduire le câble d'alimentation électrique (non fourni) dans le presse-étoupe arrière du local de filtration. Il est conseillé d'utiliser le câble H07-RNF à trois brins et de section 1,5 mm<sup>2</sup>. Passer le câble en longeant les dispositifs jusqu'au tableau électrique. Ouvrir le tableau électrique, passer le câble dans le presse-étoupe de ce dernier sur le 230 V et fixer les trois terminaux aux bornes identifiables par les étiquettes N, L et T (prise de terre), comme indiqué sur la **(fig. 14) (page 73)**.
- Introduire le câble de l'équipement frontal (câble du projecteur) dans le presse-étoupe frontal du local de filtration **(page 71) (position 14, fig.3)** et le connecter aux bornes du tableau électrique sur le 12 V prévu à cet effet **(fig.12) (page 72)**.

**TRÈS IMPORTANT : au moment d'effectuer le branchement électrique, vérifier que le projecteur soit éteint. Celui-ci ne devra être allumé qu'à la seule condition d'être immergé dans l'eau. Dans le cas contraire, éteindre immédiatement le projecteur à l'aide du bouton pneumatique (fig. 13) (page 73).**

- Remplir de sable les trous autour du local et tassant le sable jusqu'au niveau du sol.

## 4. MISE EN MARCHÉ

- Ne pas mettre en marche la pompe sans que celle-ci ne soit amorcée.
- Ne pas mettre en marche l'opération de filtration avant que le niveau de l'eau ne couvre en partie le volet du skimmer.
- Ne jamais allumer le projecteur aquatique si celui-ci n'est pas immergé dans l'eau.

Pour mettre en marche le matériel de filtration, procéder comme suit :

- Vérifier que la buse d'aspiration est fermée (fig.17, position A).
- Desserrer tous les raccords trois pièces de la vanne sélectrice **(fig. 15) (page 73)**.
- Enlever la vanne sélectrice et le joint, en veillant à ne pas abîmer le joint.
- Remplir soigneusement d'eau jusqu'à la moitié.
- Remplir le filtre de sable : pour obtenir un rendement optimum du filtre, il est recommandé de mettre du sable d'une granulométrie de 0,4 à 0,8 mm, jusqu'à une hauteur approximative de 2/3 du filtre.
- Boucher le tuyau de D.50 avec un sac et verser à l'intérieur le contenu de sable indiqué précédemment, en faisant attention de ne pas endommager les collecteurs.
- Placer la vanne sélectrice et le joint correspondant, après avoir nettoyé la zone de fermeture en enlevant le sable et autres résidus.
- Vérifier que le niveau d'eau de la piscine est suffisant pour couvrir la moitié du volet du skimmer **(fig. 5) (page 71)**.

- La pompe ne doit en aucun cas fonctionner sans eau. Dans le cas contraire, cela risquerait d'endommager le joint mécanique et de provoquer des fuites d'eau.
- Vérifier que tous les branchements de l'installation soient corrects et bien fixés.
- Avant la première utilisation du dispositif, il est nécessaire d'amorcer la pompe. Pour cela, retirer le couvercle du préfiltre et remplir le préfiltre d'eau (**fig. 16**) (**page 73**). Refermer le couvercle du préfiltre.
- Vérifier que le couvercle du filtre, comme celui du préfiltre de la pompe, sont correctement fermés. Ouvrir la buse d'aspiration (fig.17, position A).
- Mettre la vanne sélectrice en position LAVAGE (**fig. 17**) (**page 73**).
- Placer l'interrupteur de l'horloge en position I (**fig. 21**) ou le sélecteur de vitesse en position manuelle (**fig.15**) (**page 73**). Mettre l'interrupteur de protection de la pompe du tableau électrique en position I (connexion) (**fig. 21**) (**page 74**).
- Procéder au lavage du sable (**voir l'encadré 6**) (**page 17**).
- Pour arrêter le dispositif, placer l'interrupteur de la pompe en position OFF (déconnexion) (**fig. 15**) (**page 73**).
- Placer la vanne sélectrice en position FILTRATION (**fig.17**) (**page 73**).

## PROGRAMMATION DE L'HORLOGE

- Le tableau électrique dispose d'une horloge de programmation qui permet d'automatiser les temps de filtration, de mise en marche et d'arrêt de l'appareil. Pour programmer cette fonction, procéder comme suit (le processus peut varier en fonction du modèle de l'horloge) :
- Vérifier que l'interrupteur de la pompe est en position OFF (déconnexion) (**fig. 21**) (**page 74**).
- Mise à l'heure : retirer le couvercle transparent de l'horloge. Tourner la sphère intérieure de l'horloge dans le sens des aiguilles d'une montre jusqu'à ce que la flèche (triangle) de la base soit alignée sur l'heure actuelle (**fig. 22**) (**page 74**).
- Configurer la période de fonctionnement : l'horloge dispose de 48 onglets, chacun équivalant à une demi-heure. Les onglets peuvent être relevés (arrêt) ou enfoncés (fonctionnement). Configurer la période de fonctionnement en appuyant sur les onglets souhaités (**fig. 23**) (**page 74**). Il est conseillé de configurer une période de filtration quotidienne de 8 heures (16 onglets).
- Activation de la fonction automatique : l'horloge de programmation dispose d'un interrupteur à deux positions I ou II. La position I active le fonctionnement de la pompe manuellement. En revanche, la position II laisse les onglets de l'horloge régler le fonctionnement ou l'arrêt de la pompe (**fig. 20**) (**page 74**). **REMARQUE** : Ne pas forcer le cran d'arrêt de l'horloge en essayant de la placer en position II, car si l'onglet horaire activé est enclenché, le cran sera déplacé en position I.
- Replacer le couvercle transparent de l'horloge.

## 5. FONCTIONNEMENT

- Ne jamais marcher sur le couvercle du local de filtration ou sur l'équipement frontal.
- Le couvercle du local de filtration doit TOUJOURS être fermé à clé par les serrures correspondantes.
- Ne jamais permettre aux enfants ou aux adultes de manipuler ou de s'asseoir sur la structure de l'équipement.
- Ne jamais utiliser l'équipement frontal comme tremplin pour sauter dans la piscine.
- Ne pas utiliser l'équipement frontal comme support pour sortir de la piscine.
- Veiller à ce qu'il n'y ait aucun objet dans l'espace du skimmer (où se trouve le panier).
- Veiller à ce que les paniers du skimmer et du préfiltre de la pompe restent propres.

### OPÉRATION : FILTRATION DE L'EAU

Le skimmer est l'élément filtrant qui aspire la surface de l'eau. L'eau passe au travers du panier du skimmer qui retient les particules de grande taille, tandis que les impuretés non retenues passent à travers le filtre à cartouche où elles seront filtrées. Pour réaliser l'opération de filtration de l'eau, procéder comme suit :

- Placer l'interrupteur de la pompe en position OFF (déconnexion) (**fig. 21**) (**Page 74**).
- Placer la vanne sélectrice en position filtration et la vanne trois voies en position skimmer (**fig. 17**) (**page 73**).
- Pour programmer une filtration périodique de manière automatique, configurer le programmeur comme indiqué dans le chapitre "Programmation de l'horloge" de ce manuel. Pour activer la filtration de manière manuelle, placer l'interrupteur de l'horloge en position I (**fig. 20**) (**page 74**) et enclencher l'interrupteur de la pompe en le plaçant sur ON (connexion) (**fig. 21**) (**page 74**).
- Pour arrêter la filtration, placer l'interrupteur de la pompe en position OFF (déconnexion) (**fig. 21**) (**page 74**).



Pour laisser la pompe en position de filtration automatique périodique, laisser l'interrupteur de la pompe en position ON (**fig. 21**) (**page 74**) et le cran de l'horloge en position II sans le forcer (**fig. 20**) (**page 74**).

## OPÉRATION : ÉCLAIRAGE DE LA PISCINE

Le système compact est muni d'un projecteur aquatique pour l'éclairage de la piscine. Pour le mettre en marche ou l'éteindre, il suffit d'enclencher l'interrupteur pneumatique du projecteur situé à l'arrière du local de filtration (**fig. 13**) (**page 73**). Le projecteur a été conçu pour être utilisé en immersion totale dans des piscines d'eau douce. Il s'agit d'un appareil électrique de classe III avec une tension de sécurité très faible (12 V avec courant alternatif). Le projecteur présente un degré de protection IPX8 (résistance à la pénétration de la poussière, de corps solides et à l'humidité) avec une profondeur en immersion nominale de 2 m.

Le projecteur est conforme aux normes internationales de sécurité des luminaires, notamment la norme EN 60598-2-18.

2 : CONDITIONS PARTICULIÈRES SECTION 18 LUMINAIRES POUR PISCINES ET APPLICATIONS SIMILAIRES.

### TRÈS IMPORTANT

Ne jamais allumer le projecteur aquatique si celui-ci n'est pas plongé dans l'eau, cela risquerait de provoquer d'importants dégâts.

## 6. ENTRETIEN

- Éviter absolument tout contact, même accidentel, avec les parties en mouvement de l'équipement.
- Attendre que la machine soit complètement arrêtée pour réaliser n'importe quel type d'intervention sur l'équipement.
- Avant de réaliser n'importe quelle intervention de maintenance électrique ou mécanique, vérifier que la machine est déconnectée du réseau d'alimentation et que les dispositifs de mise en marche sont bloqués.
- Vérifier que le sol est sec avant de toucher l'équipement électrique.
- Ne pas manipuler l'équipement avec les pieds mouillés.

### NETTOYAGE DU FILTRE

Procéder au nettoyage du filtre lorsque l'on observe une diminution du débit. Pour effectuer un nettoyage du filtre, procéder comme suit :

- Placer l'interrupteur de la pompe en position OFF (déconnexion) (**fig. 21**) (**page 74**).
- Placer la vanne sélectrice en position "lavage".
- Connecter la pompe pendant deux ou trois minutes. Cela dit, il est conseillé d'observer le viseur de la vanne sélectrice pour déterminer avec exactitude la durée de cette opération.
- Après avoir terminé l'opération de lavage, arrêter la pompe en plaçant l'interrupteur de la pompe en position OFF (déconnexion) (**fig. 21**) (**page 74**).

### NETTOYAGE DU PANIER DU SKIMMER

Les feuilles et autres particules qui flottent sur l'eau s'accumulent dans le panier du skimmer. Il faut donc nettoyer périodiquement le panier pour éviter son obstruction. Pour retirer le panier, procéder comme suit :

- Placer l'interrupteur de la pompe en position OFF (déconnexion) (**fig. 21**) (**page 74**).
- Ouvrir le couvercle d'accès au skimmer du dispositif frontal (**fig. 16**) (**page 73**).
- Prendre l'anse du panier et la faire tourner jusqu'à pouvoir la retirer verticalement (**fig. 25**) (**page 75**).
- Après avoir enlevé les feuilles et autres résidus du panier, il faut le remettre à sa place. Pour le fixer correctement, faire tourner le panier vers l'intérieur de son emplacement jusqu'à ce qu'il soit bien enfoncé et qu'il ne puisse plus sortir verticalement.

### NETTOYAGE DU PRÉFILTRE DE LA POMPE

Il convient de vérifier périodiquement l'état du préfiltre de la pompe pour éviter son obturation. Si l'on constate l'accumulation de saleté, il faut l'ouvrir et le nettoyer. Pour nettoyer le préfiltre, procéder comme suit :

- Placer l'interrupteur de la pompe en position OFF (déconnexion) **(Fig. 21) (page 74)**.
- Fermer la buse d'aspiration de la pompe **(fig. 17) (page 73)**.
- Retirer le couvercle, enlever le panier du préfiltre pour le nettoyer **(fig. 16) (page 73)**.
- Replacer le panier dans sa position initiale. Placer correctement le joint du couvercle pour le fermer, en vérifiant que l'emplacement du joint est propre.
- Ouvrir la buse d'aspiration de la pompe.

## ENTRETIEN DU PROJECTEUR

**ATTENTION** : avant toute manipulation, vérifier que le projecteur N'EST PAS sous tension. Pour cela, **débrancher l'équipement du réseau d'alimentation**.

Pour extraire le projecteur jusqu'au bord de la piscine, retirer l'anneau enjoliveur à l'aide d'un tournevis, en agissant sur les quatre rainures de celui-ci **(fig. 26) (page 75)**. Enlever les vis 6x20 **(nº. 11) (page 22) (fig. 27) (page 75)**. Extraire le projecteur jusqu'au bord de la piscine. Démonter le projecteur en retirant les écrous **(nº. 15) (page 22)** qui maintiennent l'anneau enjoliveur **(nº. 2) (page 22)** fixé à l'écran et la platine **(nº. 5) (page 22)** pour pouvoir accéder à l'ampoule **(fig. 28 et fig. 29) (page 75)**. Tirer sur l'ampoule **(nº. 7) (page 22) (fig. 30) (page 75)** pour la séparer de la douille **(nº. 13) (page 22)** et connecter la nouvelle **(fig. 30) (page 75)**.

**TRÈS IMPORTANT** : pour changer la lampe, **toujours utiliser la protection en carton et ne jamais toucher la lampe neuve avec les mains nues**.

Procéder au montage du projecteur, en répétant à l'inverse les manipulations décrites, à l'aide d'un tournevis. Ne tendre en aucun cas le câble.

### ATTENTION

- La lampe neuve doit présenter les mêmes caractéristiques que celle fournie avec le projecteur, 100 W 12 V (AC) halogène.
- Pour garantir une étanchéité parfaite, il faut nettoyer l'assise du joint de l'optique du projecteur **(nº. 4) (page 22)** ou remplacer le joint s'il présente des signes de faiblesse ou une déformation permanente.

## PRÉPARATION DE L'ÉQUIPEMENT POUR LA PÉRIODE HIVERNALE

Il convient de laisser le matériel préparé pour l'hiver ou pour une période d'arrêt prolongé. Pour cela, réaliser les opérations suivantes :

- Placer l'interrupteur de la pompe en position OFF (déconnexion) **(fig. 21) (page 74)**.
- Vider le filtre, la pompe et les conduites d'eau.

### ATTENTION

- En cas d'éventuelles gelées de la surface de la piscine, il est conseillé de retirer le dispositif frontal de la piscine pour éviter qu'il soit endommagé.

## 7. PANNES ÉVENTUELLES

PROBLÈMES	CAUSES	SOLUTIONS
L'équipement ne refoule pas d'eau.	Problème d'alimentation électrique	Vérifier la connexion électrique et si le courant arrive jusqu'à la prise.
	Protection moteur mal réglée	Vérifier la consommation de la pompe et régler la protection du moteur de l'armoire électrique.
Le matériel refoule peu d'eau	Le filtre est sale	Effectuer un lavage du filtre.
	Préfiltre de la pompe ou du skimmer est obturé	Nettoyer le préfiltre de la pompe ou le panier du Skimmer.
	Entrée d'air par la conduite d'aspiration	Vérifier l'état des raccords et des joints du tube d'aspiration.
	Niveau de l'eau de la piscine insuffisant	Remplir la piscine jusqu'à ce que le niveau de l'eau couvre la moitié du volet du skimmer.
	Tension incorrecte	Vérifier que la tension du réseau coïncide avec celle indiquée sur la plaque de caractéristiques du moteur.
La pompe ne s'amorce pas	Prise d'air	Vérifier tous les raccords des tuyauteries et le couvercle de la pompe. Remplir d'eau le préfiltre de la pompe.
Le local se remplit d'eau	La vidange du local n'a pas été installée.	Installer une vidange pour l'évacuation de l'eau du local.
Au moment de vider la piscine, le local de filtration se remplit d'eau	Les vidanges de la pompe et la vidange résiduelle sont raccordées entre elles	Modifier l'installation des vidanges pour que chacune dispose de sa propre conduite d'évacuation.
La lampe n'éclaire pas	Problème d'alimentation électrique.	Vérifier que l'alimentation est correctement branchée.
	L'ampoule a grillée	Changer l'ampoule.
	Bouton pneumatique déconnecté.	Vérifier que le tube du bouton est correctement connecté.

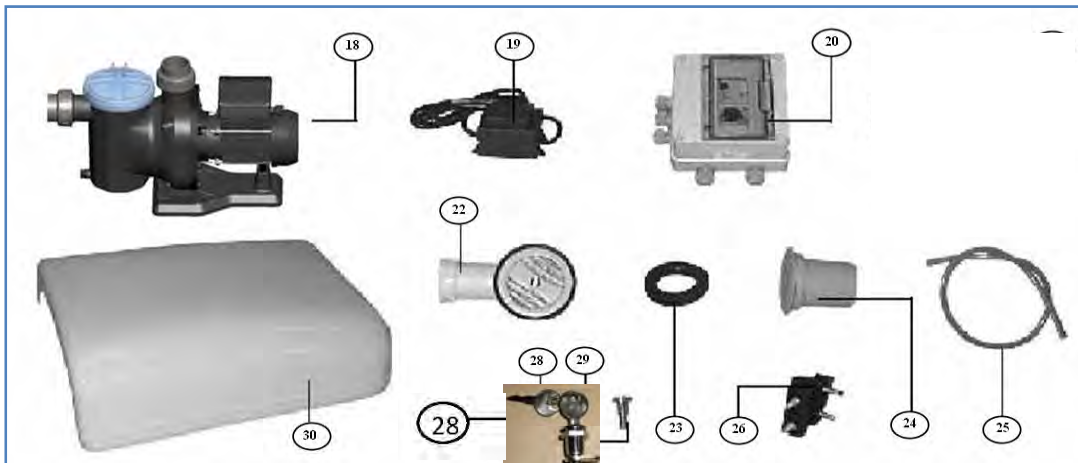
## 8. PIÈCES DE RECHANGE

### PIÈCES DE RECHANGE DISPOSITIF FRONTAL



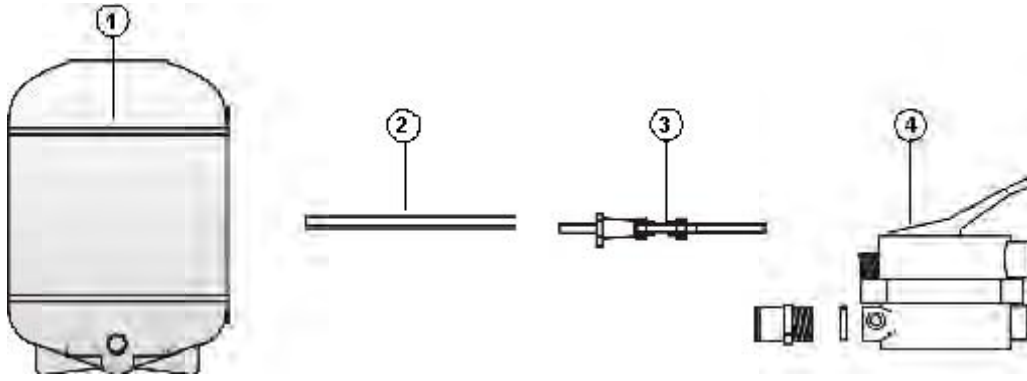
N°	CODE	DESCRIPTION	N°	CODE	DESCRIPTION
1	22440R0300	Couvercle supérieur skimmer	9	00300R0002	Bouchon d'aspiration
2	05280R0200	Volet du skimmer	10	01353R0012	Clip
3	09096-0140	Panier	12	70134R08050	Vis inoxydable D8*50 DIN 571
4	00361R	Projecteur	13	18546R1304	Joint plat 9*25*1,5
5	020408004R	Coude raccord buse impulsion	14	70139R08000	Rondelle inoxydable D8 DIN 9021
7	04035R000	Buse impulsion	15	15260R0203	Cheville caoutchouc 9*25*15
8	20888R0200	Adaptateur prise balai	16	00041R0104	Cheville Fisher N°10

### PIÈCES DE RECHANGE DU LOCAL DE FILTRATION



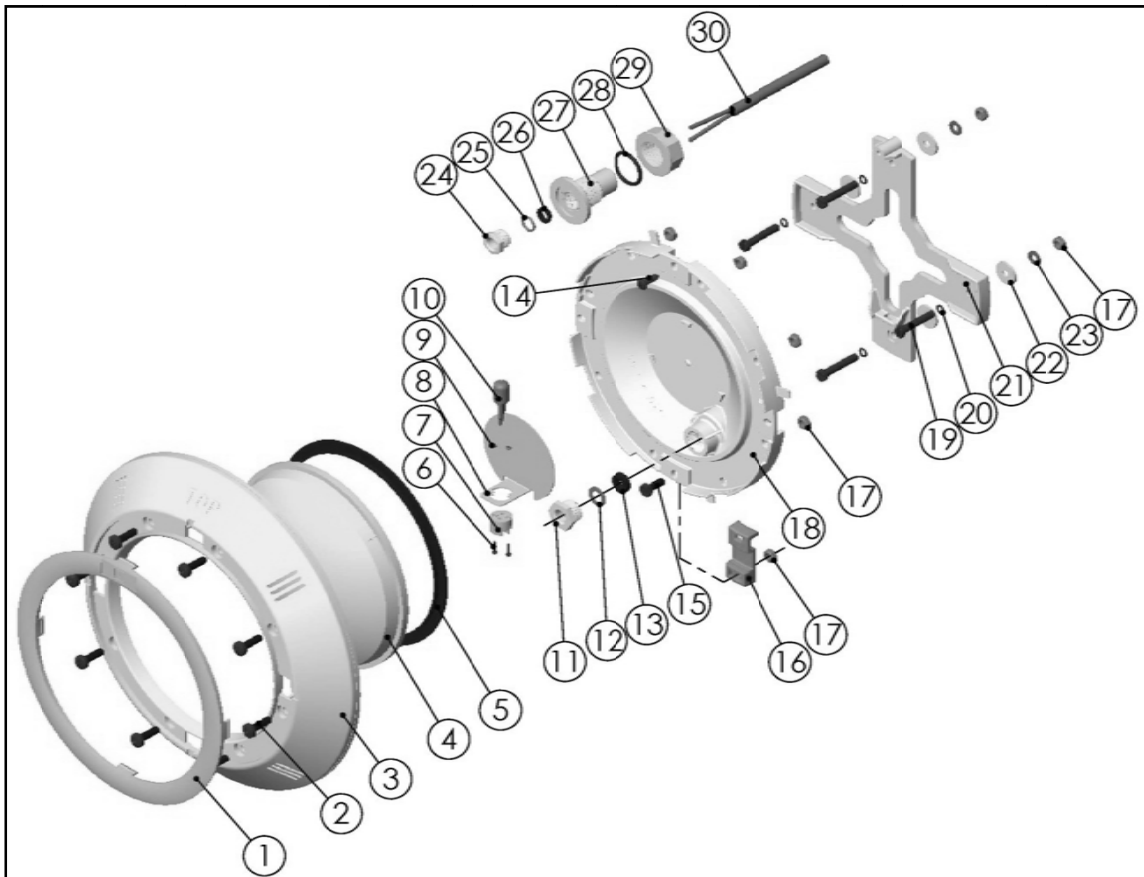
N°	CODE	DESCRIPTION	N°	CODE	DESCRIPTION
18	25463	Pompe Sena 3/4 c.v monphasé	25	00241R0404	Tuyau en plastique
19	18546R2242 /	Transformateur	26	00621R0201	Charnière
20	22440R2243	Boite électrique (option projecteur)	27	7013208020	Vis inoxydable M8X20 DIN 7985
22	031311001	Vidange local Jimten	28	22440R4000	Ensemble serrure
23	00615R0102	Joint passe tuyau D.50	30	22440R0500	Couvercle supérieur arrière
24	04048R0100	Bouton pneumatique			

## PIÈCES DE RECHANGE DU FILTRE



N°	CODE	DESCRIPTION	N°	CODE	DESCRIPTION
1	154050001S	Filtre Cuba ø 500	3	24182R0003	Collier
2	720R1750057	Joint couvercle	4	21442R	Vanne Top 6 voies

## PIÈCES DE RECHANGE DU PROJECTEUR



N°	CODE	DESCRIPTION	N°	CODE	DESCRIPTION
1	18042R0001	Anneau enjoliveur	10	00346R0011	Joint presse-étoupe
2	18042R0002	Enjoliveur projecteur	11	7013206020	Vis DIN 7985 A2 M6x20
3	00373	Lentille transparente	12	00346R0102	Domino céramique
4	00346R0004	Joint lentille projecteur	13	00346R0103	Porte-lampe
5	00346R0100	Ensemble écran et platine	14	00346R0007	Câble H07 RN-F 2x1
6	00346R0014	Croissillon de support projecteur plat	15	7012106000	Écrou DIN 934 A2 M-6
7	00371	Lampe hallogène 12V 100W	16	00346R0013	Crochet de fixation
8	00346R0010	Écrou presse-étoupe PG-11	17	7010106016	Vis DIN 933 A2 M6x16
9	00346R0012	Rondelle presse-étoupe 16,5x10,5x1,5			

**CONTENU DU SAC**

N°	CODE	DESCRIPTION	QUANT	N°	CODE	DESCRIPTION	QUANT.
18	00346R0005	Écrou presse-étoupe PG-9	1	24	7011448016	Vis DIN 7981 A2 4,8x16	1
19	00346R0009	Rondelle presse-étoupe D.10	1	25	7010506035	Vis DIN 84 A2 M6x35	4
20	00346R0006	Joint presse-étoupe 13x9,6x4 PG-9	1	26	7230050015	Joint torique 5x1,5	4
21	00346R0015	Corps passe-murs	1	27	00361R0001	Joint plat 20x6x2	4
22	7230195030	Joint torique 19,5x3	1	28	7011906000	Rondelle DIN 125 A2 M-6	4
23	00361R0101	Écrou passe-murs	1	29	7012106000	Écrou DIN 934 A2 M-6	4

**IMPORTANTE:** el manual de instrucciones que tiene en sus manos contiene información fundamental acerca de las medidas de seguridad a adoptar a la hora de la instalación y la puesta en servicio. Por ello es importante que tanto el instalador como el usuario lean las instrucciones antes de pasar al montaje y la puesta en marcha.

- En todo lo referente a la instalación eléctrica debe seguirse la normativa

Directiva Europea 2006/95/CE de aparatos de baja tensión,  
EN 60335-2-41, seguridad en aparatos electrodomésticos y análogos, requisitos particulares para bombas

Así cómo toda la normativa aplicable que haga referencia “a la construcción de instalaciones eléctricas en confines especiales. Piscinas y fuentes”, o análogas, vigente en cada zona o país.

- La instalación eléctrica debe ser hecha por personal profesional cualificado en instalaciones eléctricas. Éste equipo no está destinado a personas con capacidades físicas, sensoriales o mentales reducidas o sin experiencia, a no ser que hayan tenido supervisión o instrucciones acerca de su uso por un responsable de seguridad.
- La altura de la arena no debe sobrepasar los 2/3 de la altura del depósito.
- No tenga el aparato en marcha mientras utiliza la piscina.
- No haga funcionar el equipo sin estar correctamente cebado.
- No toque NUNCA el equipo en marcha con el cuerpo húmedo o las manos húmedas.
- Siempre que deba manipular el equipo o la válvula, DESCONÉCTELO de la toma de corriente.
- Asegúrese de que el suelo está seco antes de tocar el equipo eléctrico.
- No permita ni a niños ni a adultos apoyarse o sentarse sobre el equipo. Los niños deben ser supervisados para asegurar que no juegan con el equipo.
- El equipo se debe conectar a una toma de tensión de 230 V de corriente alterna y 50 Hz, con conexión a tierra, protegida con un interruptor diferencial (RCD) con una corriente de funcionamiento residual asignada que no exceda de 30 mA.
- Es imprescindible utilizar un dispositivo de desconexión múltiple con una separación mínima de 3 mm entre contactos para desconectar el filtro de la alimentación eléctrica.
- Este equipo debe ser instalado en piscinas con una profundidad máxima de 1,5 m
- Los equipos citados en este manual están concebidos para trabajar con aguas limpias de piscina con temperaturas que no excedan de los 35 °C. Su uso con cualquier otro tipo de aguas no se ha contemplado.
- Cualquier modificación que se pretenda efectuar en el equipo requiere la previa autorización del fabricante. Los repuestos originales y los accesorios autorizados por el fabricante sirven para garantizar una mayor seguridad. El fabricante del equipo queda eximido de toda responsabilidad de los daños ocasionados por repuestos o accesorios no autorizados.
- Durante el funcionamiento algunas partes del equipo están a voltajes eléctricos peligrosos. El trabajo sobre cada elemento o los equipos ligados a ellos sólo podrá efectuarse después de haberlos desconectado de la red eléctrica de alimentación y después de haber desconectado los dispositivos de arranque.
- En caso de funcionamiento defectuoso o avería, diríjase al Servicio de Asistencia Técnica del fabricante, o de la representación del fabricante más próxima.
- A tal respecto, se deben cumplir las normas UNE 20-460-93 Parte 7-702: INSTALACIONES ELÉCTRICAS EN EDIFICIOS. INSTALACIONES ESPECIALES PARA PISCINAS.
- La tapa de la caja de filtración SIEMPRE debe estar cerrada con sus correspondientes cerraduras con llave.

## 1. COMPRUEBE EL CONTENIDO DEL EMBALAJE

El embalaje del equipo de mochila Combo consta de 1 caja con los siguientes contenidos: **(fig.1) (pág. 71)**

- a. Equipo frontal
- b. 2 tornillos DIN 571 M8x50 con sus respectivas arandelas y tacos para hormigón
- c. 2 gomas amortiguadoras
- d. Caja del equipo de filtración
- e. Desagüe de la caja de filtración

## 2. CARACTERÍSTICAS GENERALES

El equipo de mochila Combo constituye un sistema de filtración del agua de la piscina compuesto de 2 elementos básicos: un equipo frontal que se ubica en la pared de la piscina y un equipo de filtración que contiene la bomba, filtro y el cuadro eléctrico. Dichos elementos se conectan entre sí mediante 3 conducciones y 1 cable eléctrico.

### Descripción de componentes (fig. 2, 3 y 3.1) (pág. 71)

- |    |  |
|----|--|
| 1  | Cuerpo del equipo frontal                    |
| 2  | Foco. Sólo en el modelo 22440                |
| 3  | Tapa de acceso al skimmer                    |
| 4  | Tapa basculante del skimmer                  |
| 5  | Conexión para manguera del limpiafondos      |
| 6  | Boquilla para la impulsión del agua filtrada |
| 7  | Cuerpo de la caja de filtración              |
| 8  | Tapa superior de la caja                     |
| 9  | Bomba  |
| 10 | Filtro                                       |
| 11 | Válvula selectora                            |
| 12 | Cuadro eléctrico                             |
| 13 | Transformador                                |
| 14 | Prensaestopas cable foco                     |
| 15 | Pulsador neumático                           |
| 16 | Cerradura                                    |
| 17 | Válvula aspiración                           |

El sistema de mochila puede realizar cuatro funciones integradas en un sólo equipo:

- Filtración del agua de la piscina.
- Posibilidad de conectar un limpiafondos.
- Vaciado de la piscina.
- Iluminación de la piscina. Sólo en el modelo 22440.

La ventaja de utilizar un equipo mochila radica en que la instalación necesaria se minimiza. Sólo se requiere una toma de alimentación eléctrica y dos desagües. El equipo de filtración de mochila cumple con la normativa: UNE 20-460-93 El fabricante en ningún caso se responsabiliza del montaje, la instalación o puesta en funcionamiento de cualquier manipulación o incorporación de componentes eléctricos que no se hayan llevado a cabo en sus instalaciones.

## 3. INSTALACIÓN Y MONTAJE

En todo lo referente a la instalación eléctrica debe seguirse la normativa:

Directiva Europea 2006/95/CE de aparatos de baja tensión  
EN 60335-2-41, seguridad en aparatos electrodomésticos y análogos, requisitos particulares para bombas

Así como toda la normativa aplicable que haga referencia "*a la construcción de instalaciones eléctricas en confines especiales. Piscinas y fuentes*", o análogas, vigente en cada zona o país.

- Este equipo debe ser instalado en piscinas con una profundidad máxima de 1,5 m.
- No coloque el equipo sumergido o donde pueda quedar sumergido.
- Se recomienda no perforar la caja de filtración, ya que el agua contenida en el terreno puede penetrar por cualquier orificio que quede enterrado.



Para realizar la instalación, siga los siguientes pasos:

### INSTALACIÓN DEL EQUIPO FRONTAL DEL COMBO

- Ubique el Combo en la posición más adecuada teniendo en cuenta la dirección del viento dominante.
- El equipo frontal del Combo debe situarse en la zona donde se acumulará la suciedad (hojas y demás partículas flotantes), es decir debe colocarse centrado en la pared que queda contra la dirección del viento dominante (**fig. 4**) (**pág. 71**).
- Una vez determinada la posición adecuada para el equipo frontal se preparará la pared para su instalación.
  - Si la piscina es de nueva construcción hay que prever dejar la coronación en las condiciones que se especificaran en el esquema de instalación.
  - Si se realiza en una piscina con la construcción completada, habrá que extraer parte de la coronación de la piscina para dejarla con las siguientes especificaciones: Debe dejarse un trozo del muro de la piscina libre de coronación (82 cm), para que el equipo frontal quede integrado. El nivel del agua de la piscina debe cubrir la mitad de la compuerta basculante del skimmer. Se recomienda tener una distancia aproximada de 12 cm entre el nivel del agua y la base donde se apoya el equipo frontal, (**fig. 5**) (**pág. 71 y esquema de instalación**).
- La superficie sobre la que descansará el equipo debe ser completamente horizontal y plana para que el equipo quede perfectamente alineado con la pared.
- Coloque el equipo frontal del combo en el hueco de la coronación de modo que descansa sobre la pared de la piscina y quede verticalmente alineado con ésta y marque sobre la parte superior de la pared los puntos donde habrá que realizar los taladros para fijar el equipo (**fig. 6**) (**pág. 71**).
  - **Nota:** el equipo frontal debe descansar sobre los tacos de goma.
- Retire el equipo frontal de la pared y realice los 2 agujeros para los tacos suministrados. Limpie la superficie, coloque los tacos, las gomas amortiguadoras suministradas y vuelva a situar el equipo frontal en su posición final. Fíjelo mediante los tornillos DIN 571 M8x50 y sus respectivas arandelas suministradas (**fig. 6**) (**pág. 71**).

### INSTALACIÓN DE LA CAJA DE FILTRACIÓN

**IMPORTANTE:** la instalación del equipo mochila **ha de seguir y cumplir las diversas normativas vigentes**. Se deberán seguir las dimensiones detalladas en el esquema de instalación (**fig. 5**) (**pág. 71**).

- La caja de filtración se coloca ensamblada directamente con el equipo frontal (**fig. 7**) (**pág. 72**). Al ensamblar los dos equipos, éstos deben quedar dispuestos de forma que la tapa basculante de la caja de filtración caiga sobre el equipo frontal cerrándolo. Para poder instalar los equipos ensamblados, el muro de la piscina no puede tener un espesor superior a los 22 cm. Marque sobre el terreno la zona en la que se ubicará la caja de filtración (**fig. 5**) (**pág. 71**) (**véase el esquema de instalación**).
- Para facilitar el conexionado del desagüe y demás conducciones habrá que prever realizar una excavación con 15-25 cm de más alrededor de toda la caja de filtración para facilitar la conexión de los desagües y el relleno posterior (**véase el esquema de instalación**).
- Realice la excavación hasta una profundidad mínima de 90 cm. También deberá realizar las zanjas necesarias para el abastecimiento de agua, desagües y potencia eléctrica hasta la posición de la caja de filtración, según se indica en el **esquema de instalación (fig. 7) (pág. 72)**.
- Antes de depositar la caja tendrá que instalar el desagüe inferior en el agujero de la base de la caja, previamente hay que retirar el tapón rojo. (**fig. 8**) (**pág. 72**). Es muy importante instalar dicho desagüe ya que en su defecto, la caja puede llegar a llenarse de agua y tierras que se introducirán por dicho agujero, con el correspondiente riesgo para los equipos.

#### IMPORTANTE

- Por motivos de transporte, la caja de filtración lleva el desagüe del filtro desconectado. Es imprescindible conectarlo con el enlace tres piezas antes de proceder a su conexión exterior (**fig. 9**) (**pág. 72**).
- Nivelar la base de la excavación y calzar la caja para evitar que esta se apoye sobre el desagüe inferior. Depositar la caja sobre el fondo comprobando que la parte superior quede alineada con el terreno (**fig. 10**) (**pág. 72**).

## MUY IMPORTANTE

- **Conexión del desagüe del filtro y el desagüe por gravedad por separado.** Los dos desagües no pueden unirse juntos ya que cuando se realizara la operación de vaciado de la piscina, por vasos comunicantes, el agua penetraría por la base de la caja inundándola. Utilizar Ø 50 para el desagüe de la bomba y Ø 32 para el desagüe por gravedad (**fig. 11**) (**pág. 72**).

### CONEXIÓN DEL EQUIPO FRONTAL CON LA CAJA DE FILTRACIÓN

- Las entradas y salidas de los dos cuerpos quedan encaradas y alineadas unas con otras.
- Para unir las dos partes del equipo, encolar las salidas y entradas del equipo frontal y la caja de filtración. El diseño del equipo permite una ligera desviación entre las tuberías. Se deberá usar cola para tuberías de PVC (no suministrada).
  - El equipo está preparado para ensamblarse en una piscina con pared de 22 cm. En caso de tener una dimensión inferior, se deberán cortar las tuberías para adaptarse a las nuevas dimensiones.

### CONEXIÓN DE LOS ELEMENTOS ELÉCTRICOS

- Compruebe que la toma de tierra de la instalación sea correcta.
- La instalación eléctrica debe ser hecha por personal profesional cualificado en instalaciones eléctricas. Éste equipo no está destinado a personas con capacidades físicas, sensoriales o mentales reducidas o sin experiencia, a no ser que hayan tenido supervisión o instrucciones acerca de su uso por un responsable de seguridad.
- El equipo se debe conectar a una toma de tensión de 230 V de corriente alterna y 50 Hz, con conexión a tierra, protegida con un interruptor diferencial (RCD) con una corriente de funcionamiento residual asignada que no exceda de 30 mA.
- Es imprescindible utilizar un dispositivo de desconexión múltiple con una separación mínima de 3 mm entre contactos para desconectar el filtro de la alimentación eléctrica.

- Introducir el cable de alimentación eléctrica (no suministrado) por el prensaestopas posterior de la caja de filtración. Se recomienda utilizar el cable H07-RNF de tres hilos y sección 1,5 mm<sup>2</sup>. Pasar el cable bordeando los equipos hasta llegar al cuadro eléctrico. Abrir el cuadro eléctrico, pasar el cable por el prensaestopas de éste con el distintivo 230 V y fijar los tres terminales a las regletas identificadas con las etiquetas N, L y T (toma de tierra), como se indica en la (**fig. 14**) (**pág. 73**).
- Introducir el cable procedente del equipo frontal (cable del proyector), por el prensaestopas frontal de la caja de filtración (**pág. 71**) (**posición 14, fig. 3**) y conectarlo a la regleta del cuadro eléctrico con el distintivo 12 V destinada a tal fin (**fig. 12**) (**pág. 72**).

**MUY IMPORTANTE:** al realizar la conexión de alimentación, asegúrese de que el proyector no queda encendido sin estar sumergido en el agua. Si sucediera, apagarlo de inmediato mediante el pulsador neumático (**fig. 13**) (**pág. 73**).

- Rellenar con arena los huecos alrededor de la caja y compactando la arena hasta el nivel del suelo.

## 4. PUESTA EN MARCHA

- No se debe poner en marcha la bomba sin estar cebada.
- No se debe poner en marcha la operación de filtración si el nivel del agua no llega a cubrir parte de la tapa basculante del skimmer.
- Nunca se debe encender el proyector subacuático si éste no está sumergido en el agua.

Para poner en marcha el equipo de filtración, siga los siguientes pasos:

- Asegúrese de que la válvula aspiración está cerrada (**fig. 17, posición A**).
- Afloje todos los enlaces tres piezas de la válvula selectora. (**fig.15**) (**pág. 73**).
- Quite la válvula selectora y la junta, procurando no dañar la junta.
- Llénelo cuidadosamente de agua hasta la mitad.
- Cargue el filtro de arena: para obtener el máximo rendimiento del filtro, se recomienda poner arena de una granulometría de 0,4 a 0,8 mm. Hasta una altura aproximada de 2/3 del filtro.

- Tape la tubería de D.50 con una bolsa y vierta en su interior el contenido de arena indicado anteriormente y con cuidado de no dañar los colectores.
- Coloque la válvula selectora y la junta correspondiente, habiendo antes limpiado de arena y residuos la zona de cierre.
- Asegúrese de tener un nivel de agua en la piscina suficiente para que cubra la mitad de la tapa basculante del skimmer **(fig. 5) (pág. 71)**.
- La bomba en ningún caso puede trabajar sin agua, ya que por el contrario, ello puede dañar la junta mecánica provocando pérdida de agua por ésta.
- Compruebe que todas las conexiones de la instalación sean correctas y estén bien fijadas.
- Antes de poner en marcha el equipo por primera vez, es necesario realizar el cebado de la bomba. Para ello retire la tapa del prefiltro y llene el prefiltro con agua **(fig. 16) (pág. 73)**. Cierre de nuevo la tapa del prefiltro.
- Compruebe que tanto la tapa del filtro como la del prefiltro de la bomba estén correctamente cerradas. Abra las válvula aspiración (fig.17, posición A).
- Sitúe la válvula selectora en posición LAVADO **(fig. 17) (pág. 63)**.
- Sitúe el interruptor del reloj en la posición I **(fig. 21) o el selector de marcha en posición manual (fig. 15) (pág. 73)**. Sitúe el interruptor de protección de la bomba del cuadro eléctrico situándolo en la posición I (conexión) **(fig. 21) (pág. 74)**.
- Proceda al lavado de la arena **(véase el apartado 6) (pág. 28)**.
- Para parar el equipo sitúe el interruptor de la bomba en posición OFF (desconexión) **(fig. 15) (pág. 73)**.
- Sitúe la válvula selectora en posición FILTRACION **(fig. 17) (pág. 73)**.

## PROGRAMACIÓN DEL RELOJ PROGRAMADOR

- El cuadro eléctrico dispone de un reloj programador que permite automatizar los tiempos de filtración, puesta en marcha y parado del equipo. Para programar esta función siga los siguientes pasos (pueden variar en función del modelo del reloj):
- Asegúrese de tener el interruptor de la bomba en posición OFF (desconexión) **(fig. 21) (pág. 74)**.
- Puesta en hora: quite la tapa transparente del reloj. Gire la esfera interior del reloj en sentido horario hasta alinear la hora actual con la flecha (triángulo) de la base **(fig. 22) (pág. 74)**.
- Configuración del periodo de funcionamiento: el reloj dispone de 48 pestañas, cada una equivale a media hora. Las pestañas pueden estar alzadas (paro) o presionadas (funcionamiento). Configure el periodo de funcionamiento dejando presionadas las pestañas deseadas **(fig. 23) (pág. 74)**. Se recomienda configurar un periodo de filtración diario de 8 horas (16 pestañas).
- Activación del funcionamiento automático: El reloj programador dispone de un interruptor con dos posiciones I o II. La posición I activa el funcionamiento de la bomba de forma manual. La posición II por el contrario deja que el funcionamiento o el paro de la bomba lo regulen las pestañas del reloj **(fig. 20) (pág. 74)**. **NOTA:** no fuerce el gatillo del reloj al intentar situarlo en la posición II, ya que si la pestaña horaria activa está presionada, el gatillo restará desplazado hacia la posición I.
- Vuelva a colocar la tapa transparente del reloj.

## 5. FUNCIONAMIENTO

- No pise nunca la tapa de la caja de filtración ni el equipo frontal.
- La tapa de la caja de filtración SIEMPRE debe estar cerrada con sus correspondientes cerraduras con llave.
- No permita a niños ni adultos manipular ni sentarse sobre los cuerpos del equipo.
- No use nunca el equipo frontal como podium para saltar a la piscina.
- No utilice el equipo frontal como soporte para salir de la piscina.
- Mantenga el espacio del skimmer (donde se ubica la cesta) libre de objetos.
- Mantenga limpias las cestas del skimmer y del prefiltro de la bomba.

### OPERACIÓN: FILTRACIÓN DEL AGUA

El skimmer es el elemento filtrante que recoge el agua de la superficie. El agua pasa a través del cesto del skimmer, las partículas de mayor tamaño quedan retenidas en éste, las impurezas que no puede retener pasan hacia el filtro de cartucho donde serán filtradas. Para realizar la operación de filtración del agua hay que seguir los siguientes pasos:

- Sitúe el interruptor de la bomba en posición OFF (desconexión) **(fig. 21) (pág. 74)**.
- Sitúe la válvula selectora en la posición de filtrado y la tres vías en posición skimmer. **(fig. 17) (pág. 73)**.

- Para programar una filtración periódica de forma automática habrá que configurar el programador como se describe en el apartado “Programación del reloj programador” de este manual. Si desea activar la filtración de forma manual, sitúe el interruptor del reloj en la posición I (**fig. 20**) (**pág. 74**) y accione el interruptor de la bomba situándolo en ON (conexión) (**fig. 21**) (**pág. 74**).
- Para parar la filtración sitúe el interruptor de la bomba en posición OFF (desconexión) (**fig. 21**) (**pág. 74**). Si desea dejar la bomba en posición de filtración automática periódica, deberá dejar el interruptor de la bomba en posición ON (**fig. 21**) (**pág. 74**) y el gatillo del reloj en la posición II sin forzarlo (**fig. 20**) (**pág. 74**).

## OPERACIÓN: ILUMINACIÓN DE LA PISCINA

El equipo de mochila está provisto de un proyector subacuático para la iluminación de la piscina. Para ponerlo en marcha o apagarlo, basta con activar el pulsador neumático del foco situado en la parte posterior de la caja de filtración (**fig. 13**) (**pág. 73**). El proyector ha sido diseñado para utilizarse totalmente sumergido en piscinas de agua dulce. Se trata de un aparato eléctrico de clase III con una muy baja tensión de seguridad (12 V con corriente alterna). El proyector cumple con el grado de protección IPX8 (resistencia a la penetración de polvo, a los cuerpos sólidos y a la humedad) con una profundidad de inmersión nominal de 2 m.

El proyector cumple con las normas internacionales de seguridad de luminarias, en especial la norma EN 60598-2-18. 2: REQUERIMIENTOS PARTICULARES SECCIÓN 18 LUMINARIAS PARA PISCINAS Y APLICACIONES SIMILARES.

### MUY IMPORTANTE

Nunca se debe encender el proyector subacuático si éste no está sumergido en el agua ya que el foco sufriría daños importantes.

## 6. MANTENIMIENTO

- Debe evitar absolutamente el contacto, incluso accidental con las partes en movimiento del equipo.
- Debe esperar a que la máquina esté completamente parada para realizar cualquier intervención sobre el equipo.
- Antes de proceder a realizar cualquier intervención de mantenimiento eléctrico o mecánico, asegúrese de que la máquina haya sido desconectada de la red de alimentación y que los dispositivos de puesta en marcha estén bloqueados.
- Asegúrese de que el suelo está seco antes de tocar el equipo eléctrico.
- No manipule el equipo con los pies mojados.

### LAVADO DEL FILTRO

Cuando observe que disminuye el caudal impulsado se procederá a efectuar un lavado del filtro. Para efectuar un lavado del filtro, proceda tal como se indica a continuación:

- Sitúe el interruptor de la bomba en posición OFF (desconexión) (**fig. 21**) (**pág. 74**).
- Coloque la válvula selectora en posición "lavado".
- Conecte la bomba durante dos o tres minutos. No obstante, es aconsejable observar el visor de la válvula selectora para determinar con exactitud la duración del mismo.
- Tras terminar la operación del lavado, pare la bomba, situando el interruptor de la bomba en posición OFF (desconexión) (**fig. 21**) (**pág. 74**).

### LIMPIEZA DE LA CESTA DEL SKIMMER

En la cesta del skimmer se van acumulando las hojas y demás partículas que flotan en el agua. Periódicamente habrá que limpiar la cesta para que ésta no se obstruya. Para sacar la cesta, proceda de la siguiente manera:

- Sitúe el interruptor de la bomba en posición OFF (desconexión) (**fig. 21**) (**pág. 74**).
- Abra la tapa de acceso al skimmer del equipo frontal (**fig. 16**) (**pág. 73**).
- Coger el asa de la cesta y hacerla girar hasta que permita su extracción vertical (**fig. 25**) (**pág. 75**).
- Una vez se haya liberado la cesta de hojas y demás elementos habrá que volverla a colocar. Para su correcta fijación habrá que girar la cesta dentro de su hueco hasta que ésta quede trabada y no pueda salir verticalmente.

## LIMPIEZA DEL PREFILTRO DE LA BOMBA

Es conveniente revisar periódicamente el estado del prefiltro de la bomba para evitar la obturación de éste. Si se observa suciedad acumulada habrá que abrirlo y limpiarlo. Para limpiar el prefiltro proceda de la siguiente manera:

- Sitúe el interruptor de la bomba en posición OFF (desconexión) (fig. 21) (pág. 74).
- Cierre la válvula de aspiración de la bomba (fig. 17) (pág. 73).
- Retire la tapa, saque la cesta del prefiltro para limpiarla. (fig. 16) (pág. 73).
- Vuelva a situar la cesta en su posición. Coloque correctamente la junta de la tapa para cerrarla, asegurándose de que el asiento de la junta esté limpio.
- Abra la válvula de aspiración de la bomba.

## MANTENIMIENTO DEL PROYECTOR

**ATENCIÓN:** antes de cualquier manipulación asegúrese de que el proyector NO recibe tensión. Para ello **desconecte el equipo de la red de alimentación.**

Para extraer el proyector hasta el borde de la piscina se debe quitar el anillo embellecedor con ayuda de un destornillador, a través de las cuatro ranuras del aro embellecedor (fig. 26) (pág. 75). Extraiga los tornillos 6x20 (nº. 11) (pág. 32) (fig. 27) (pág. 75). Extraiga el proyector hasta el borde de la piscina. Desmonte el proyector, sacando las tuercas (nº. 15) (pág. 32) que fijan el aro embellecedor (nº. 2) (pág. 32) al conjunto pantalla y pletina (nº. 5) (pág. 32) para poder acceder a la lámpara (fig. 28 y fig. 29) (pág. 75). Tire de la lámpara (nº. 7) (pág. 32) (fig. 30) (pág. 75) para separarla del portalámparas (nº. 13) (pág. 32) y conectar la nueva .

**MUY IMPORTANTE:** para cambiar la lámpara, **utilice siempre el protector de cartón y no toque nunca la lámpara nueva con las manos desnudas.**

Proceda al montaje del proyector, de modo inverso al descrito, con la ayuda de un destornillador. No tense, bajo ningún concepto, el cable.

### ATENCIÓN

- La lámpara nueva debe reunir las mismas características que la suministrada con el proyector, 100 W 12 V (AC) halógena.
- Para asegurar una perfecta estanqueidad debe limpiar el asiento de la junta lente proyector (nº. 4) (pág. 32) o bien debe sustituirla si se observa en ella alguna entalla o deformación permanente.

## PREPARACIÓN DEL EQUIPO PARA EL PERIODO DE INVIERNO

Es conveniente dejar el equipo preparado para el periodo de invierno o de paro prolongado, para ello realice las siguientes operaciones:

- Sitúe el interruptor de la bomba en posición OFF (desconexión) (fig. 21) (pág. 74).
- Vacíe el filtro, la bomba y las tuberías de agua.

### ATENCIÓN

- En caso de posibles heladas de la superficie de la piscina se recomienda quitar el equipo frontal de la piscina para evitar su rotura.

## 7. POSIBLES AVERÍAS

PROBLEMAS	MOTIVOS	SOLUCIONES
El equipo no impulsa agua.	Falta de alimentación eléctrica.	Compruebe la conexión eléctrica y que llegue corriente a la toma.
	Protector de motor mal regulado.	Compruebe el consumo de la bomba y ajuste el protector del motor del cuadro eléctrico.
El equipo impulsa poco agua.	El filtro está sucio	Realice un lavado de filtro.
	Prefiltro de la bomba o del skimmer obturado.	Limpie el prefiltro de la bomba o la cesta del skimmer.
	Entrada de aire por la tubería de aspiración.	Compruebe el estado de racores y juntas del tubo de aspiración.
	Nivel del agua de la piscina	Llene la piscina hasta que el nivel

	insuficiente.	del agua cubra la mitad de la compuerta basculante del skimmer.
	Voltaje erróneo.	Compruebe que el voltaje de la red coincida con el indicado en la placa de características del motor.
La bomba no se ceba.	Toma de aire.	Repase todas las conexiones de las tuberías y la tapa de la bomba. Llene el prefiltro de la bomba de agua.
La caseta se llena de agua.	No se ha instalado el desagüe de la caja.	Instale un desagüe para la evacuación del agua de la caja.
Al vaciar la piscina la caja de filtración se llena de agua.	Los desagües de la bomba y el desagüe residual están conectados entre sí.	Modifique la instalación de los desagües para que cada uno tenga su propia tubería de evacuación.
La lámpara no ilumina	Falta de alimentación eléctrica.	Compruebe que esté conectada correctamente.
	Lámpara fundida.	Cambie la lámpara.
	Pulsador neumático desconectado.	Compruebe que el tubo del pulsador esté correctamente conectado.

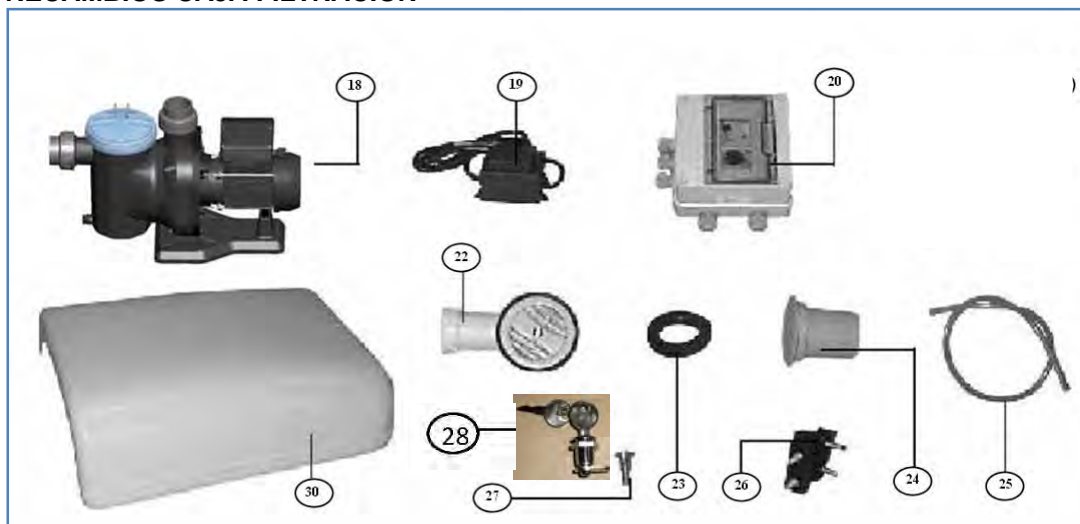
## 1. RECAMBIOS

### RECAMBIOS EQUIPO FRONTAL



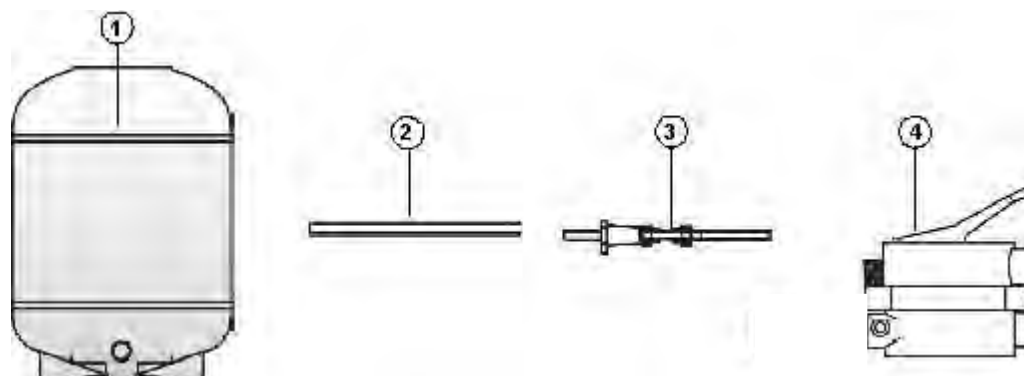
Nº	CÓDIGO	DESCRIPCIÓN	Nº	CÓDIGO	DESCRIPCIÓN
1	22440R0300	Tapa superior skimmer	9	00300R0002	Tapon aspiracion
2	05280R0200	Tapa basculante del skimmer	10	01353R0012	Clip
3	09096-0140	Cesta	12	70134R08050	Tornillo inox D8*50 DIN 571
4	00361R	Foco	13	18546R1304	Junta plana 9*25*1,5
5	020408004R	Codo boquilla impulsión	14	70139R08000	Arandela inoxidable D8 DIN 9021
7	04035R000	Boquilla impulsión	15	15260R0203	Taco goma 9*25*15
8	20888R0200	Adaptador limpiafondos	16	00041R0104	Taco fisher N°10

## RECAMBIOS CAJA FILTRACIÓN



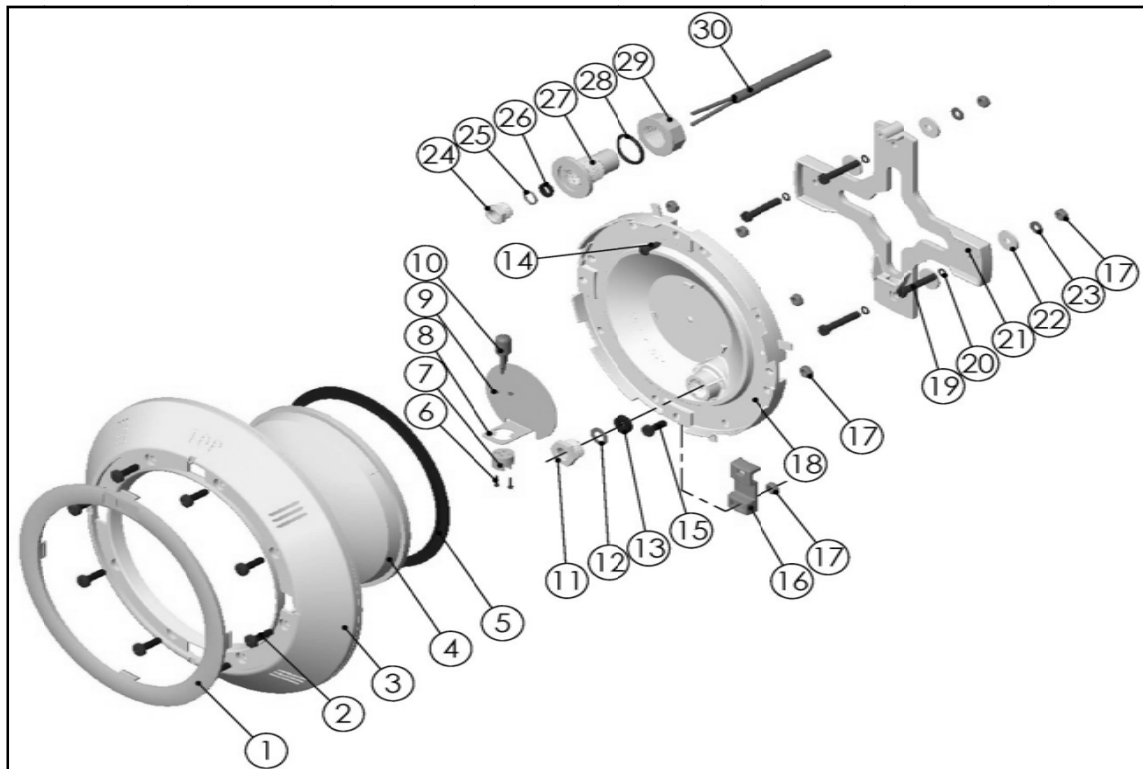
Nº	CÓDIGO	DESCRIPCIÓN	Nº	CÓDIGO	DESCRIPCIÓN
18	25463	Bomba Sena 3/4 c.v monofasica	25	00241R0404	Tubo plástico
19	18546R2242 /	Transformador	26	00621R0201	Bisagra
20	22440R2243	Caja eléctrica (opcion foco)	27	7013208020	Tornillo inox M8X20 DIN 7985
22	031311001	Desagüe caseta jimten	28	22440R4000	Conjunto cerradura
23	00615R0102	Junta pasatubos D.50	30	22440R0500	Tapa superior trasera
24	04048R0100	Pulsador neumático			

## RECAMBIOS FILTRO



Nº	CÓDIGO	DESCRIPCIÓN	Nº	CÓDIGO	DESCRIPCIÓN
1	154050001S	Cuba filtro ø 500	3	24182R0003	Zuncho
2	720R1750057	Junta tapa	4	21442R	Válvula Top 6vias

# RECAMBIOS PROYECTOR



Nº	CÓDIGO	DESCRIPCIÓN	Nº	CÓDIGO	DESCRIPCIÓN
1	18042R0001	Anillo embellecedor	10	00346R0011	Junta prensaestopas
2	18042R0002	Embellecedor proyector	11	7013206020	Tornillo DIN 7985 A2 M6x20
3	00373	Lente transparente	12	00346R0102	Regleta cerámica
4	00346R0004	Junta lente proyector	13	00346R0103	Portalámparas
5	00346R0100	Conjunto pantalla y pletina	14	00346R0007	Cable H07 RN-F 2x1
6	00346R0014	Cruceta soporte proyector plano	15	7012106000	Tuerca DIN 934 A2 M-6
7	00371	Lámpara halógena 12V 100W	16	00346R0013	Gancho fijación
8	00346R0010	Tuerca prensaestopas PG-11	17	7010106016	Tornillo DIN 933 A2 M6x16
9	00346R0012	Arandela prensaestopas 16,5x10,5x1,5			

## CONTENIDO BOLSA

Nº	CÓDIGO	DESCRIPCIÓN	CAN.	Nº	CÓDIGO	DESCRIPCIÓN	CAN.
18	00346R0005	Tuerca prensaestopas PG-9	1	24	7011448016	Tornillo DIN 7981 A2 4,8x16	1
19	00346R0009	Arandela prensaestopas D.10	1	25	7010506035	Tornillo DIN 84 A2 M6x35	4
20	00346R0006	Junta prensaestopas 13x9,6x4 PG-9	1	26	7230050015	Junta tórica 5x1,5	4
21	00346R0015	Cuerpo pasamuros	1	27	00361R0001	Junta plana 20x6x2	4
22	7230195030	Junta tórica 19,5x3	1	28	7011906000	Arandela DIN 125 A2 M-6	4
23	00361R0101	Tuerca pasamuros	1	29	7012106000	Tuerca DIN 934 A2 M-6	4



**WICHTIG:** Die Ihnen vorliegende Bedienungsanleitung enthält grundlegende Informationen zu den Sicherheitsvorkehrungen, die bei der Installation und Inbetriebnahme eingehalten werden müssen. Es ist daher wichtig, dass sowohl der Monteur, als auch der Benutzer die Anweisungen lesen, bevor sie Montage und Inbetriebnahme vornehmen.

- Alles, was im Zusammenhang mit der elektrischen Installation steht, muss mit folgender Norm übereinstimmen:

Europäische Richtlinie 2006/95/EWG zu Niederspannungsgeräten,  
EN 60335-2-41, Sicherheit von elektrischen Haushaltsgeräten und Gleichwertigem, besondere Anforderungen an  
Pumpen

Des Weiteren gelten jegliche anwendbaren Gesetze zur „*Konstruktion von Elektroinstallationen in besonderem Umfeld. Schwimmbecken und Springbrunnen*“, oder Gleichwertigem, die in der jeweiligen Region oder dem jeweiligen Land vorliegen.

- Die elektrische Installation muss von dazu qualifizierten Fachleuten vorgenommen werden. Diese Anlage ist nicht geeignet für Personen mit körperlicher, mentaler oder Wahrnehmungseinschränkung oder ohne Erfahrung, es sei denn, Sie werden während der Benutzung von einem Sicherheitsverantwortlichen beaufsichtigt.
- Die Höhe des Sandes darf nicht mehr als 2/3 des Tanks betragen.
- Während der Benutzung des Schwimmbeckens darf das Gerät nicht eingeschaltet sein.
- Das Gerät darf nicht verwendet werden, wenn es nicht ordnungsgemäß gefüllt ist.
- Berühren Sie das eingeschaltete Gerät NIE mit feuchtem Körper oder feuchten Händen.
- UNTERBRECHEN Sie die Stromverbindung, wann immer Sie an Gerät oder Ventil hantieren,
- Vergewissern Sie sich, dass der Boden trocken ist, bevor Sie an der Elektrik hantieren.
- Weder Kinder noch Erwachsene dürfen sich auf das Gerät stützen oder sich daran anlehnen. Kinder müssen beaufsichtigt werden, um sicher zu stellen, dass Sie nicht mit dem Gerät spielen.
- Das Gerät muss an einen 230 V 50 Hz Wechselstromanschluss mit Erdung angeschlossen werden. Dieser muss durch ein Differential (RCD) mit höchstens 30 mA gesichert sein.
- Es muss unbedingt ein Allpolschalter mit einem Mindestabstand von 3 mm zwischen den Kontakten verwendet werden, um den Filter von der Stromversorgung trennen zu können.
- Dieses Gerät muss in Schwimmbecken mit einer Maximaltiefe von 1,5 Metern installiert werden.
- Die in dieser Betriebsanleitung erwähnten Geräte sind für den Einsatz in reinem Schwimmbecken-Wasser entworfen, deren Temperatur 35 Grad Celsius nicht übersteigt. Ihre Verwendung in jeglichen anderen Gewässern wurde nicht berücksichtigt.
- Jegliche Veränderung, die am Gerät durchgeführt werden soll, muss zuvor vom Hersteller autorisiert werden. Die Original-Ersatzteile und die durch den Hersteller autorisierten Zubehörteile garantieren größtmögliche Sicherheit. Der Hersteller des Gerätes trägt keinerlei Verantwortung für Schäden, die durch nicht autorisierte Ersatz- oder Zubehörteile verursacht wurden.
- Während des Betriebes stehen einige Teile des Gerätes unter gefährlicher elektrischer Spannung. Arbeiten an allen Teilen oder Geräten, die mit diesen verbunden sind, können erst durchgeführt werden, nachdem sie vom Stromnetz getrennt worden sind und nachdem die Einschaltvorrichtung vom Stromnetz getrennt wurde.
- Bei fehlerhaftem Betrieb oder bei Störungen kontaktieren Sie den technischen Hilfsdienst des Herstellers, oder den nächstgelegenen Vertreter des Herstellers.
- In diesem Zusammenhang müssen die Normen UNE 20-460-93 Teil 7-702 eingehalten werden: ELEKTRISCHE INSTALLATIONEN IN GEBÄUDEN. SPEZIALINSTALLATIONEN FÜR SCHWIMMBECKEN.
- Der Deckel des Filtergehäuses muss IMMER über die zugehörigen Schlösser mit dem Schlüssel versperrt sein.

## 1. ÜBERPRÜFEN SIE DEN INHALT DER LIEFERUNG

Die Verpackung des Rucksack-Gerätes Combo beinhaltet 1 Schachtel mit den folgenden Teilen (**Abb. 1**) (**S.71**)

- a. Vordergerät
- b. 2 Schrauben DIN 571 M8x50 mit den entsprechenden Unterlegscheiben und Betondübeln
- c. 2 Dämpfungsgummis
- d. Gehäuse des Filtergerätes
- e. Abfluss des Filtergehäuses

**2. ALLGEMEINE EIGENSCHAFTEN** Das Rucksack-Gerät Combo stellt ein Filtersystem für das Wasser des Schwimmbeckens dar, das aus zwei Grundelementen besteht: ein Vordergerät, das sich an der Schwimmbeckenwand befindet und ein Filtergerät, das die Pumpe, den Filter und den elektrischen Schaltkasten enthält. Die genannten Elemente werden untereinander über drei Leitungen und ein elektrisches Kabel verbunden.

### Beschreibung der Komponenten (**Abb. 2, 3 und 3.1**) (**S.71**)

- 1 Gehäuse des Vordergerätes
- 2 Scheinwerfer. Nur bei Modell 22440
- 3 Deckel Skimmereingang
- 4 Kippbarer Skimmerdeckel
- 5 Verbindung für den Schlauch des Bodenreinigers
- 6 Einströmöffnung für das filtrierte Wasser
- 7 Gehäuse des Filterkastens
- 8 Oberer Deckel des Kastens
- 9 Pumpe
- 10 Filter
- 11 Elektrischer Schaltkasten
- 12 Transformator
- 13 Stopfbuchse Scheinwerferkabel
- 14 Pneumatischer Schalter
- 15 Schloss
- 16 Ansaugventil

Das Rucksack-System kann vier integrierte Funktionen mit einem einzigen Gerät durchführen:

- Filterung des Wassers im Schwimmbecken.
- Möglichkeit, einen Bodenreiniger anzuschließen.
- Entleeren des Schwimmbeckens.
- Beleuchten des Schwimmbeckens. Nur Modell 22440.

Der Vorteil beim Verwenden eines Rucksack-Gerätes besteht im Minimalaufwand bei der notwendigen Installation. Es werden lediglich ein Stromanschluss und zwei Abflüsse benötigt. Das Rucksack-Filtergerät entspricht der Norm UNE 20-460-98. Der Hersteller trägt in keinem Fall Verantwortung für die Montage, die Installation oder Inbetriebnahme von jedwedem Vorgang oder Hinzufügen von elektrischen Komponenten, die nicht in seinem Werk durchgeführt wurde.

## 3. INSTALLATION UND MONTAGE

Alles, was im Zusammenhang mit der elektrischen Installation steht, muss mit folgender Norm übereinstimmen:

Europäische Richtlinie 2006/95/EWG zu Niederspannungsgeräten,  
EN 60335-2-41, Sicherheit von elektrischen Haushaltsgeräten und Gleichwertigem, besondere Anforderungen an Pumpen

Des Weiteren gelten jegliche anwendbaren Gesetze zur „*Konstruktion von Elektroinstallationen in besonderem Umfeld. Schwimmbecken und Springbrunnen*“, oder Gleichwertigem, die in der jeweiligen Region oder dem jeweiligen Land vorliegen.

- Dieses Gerät muss in Schwimmbecken mit einer Maximaltiefe von 1,5 Metern installiert werden.
- Bringen Sie das Gerät nicht unter Wasser an oder dort, wo es untergetaucht werden kann.
- Es wird empfohlen, das Filtergehäuse nicht zu durchbohren, da das Wasser, das sich im Boden befindet, durch jegliche unterirdische Öffnung eindringen kann.

## INSTALLATION DES COMBO-VORDERGERÄTES

- Bringen Sie das Combo-Gerät in der am besten geeigneten Position an. Hierbei gilt es, die vorherrschende Windrichtung zu beachten.
- Das Combo-Vordergerät muss sich in dem Bereich befinden, in dem sich die Verunreinigungen ansammeln (Blätter und andere schwimmende Gegenstände), d.h. es muss in der Mitte der Wand angebracht werden, die gegen die vorherrschende Windrichtung liegt (**Abb. 4) (S.71)**).
- Sobald Sie die geeignete Position für das Vordergerät festgelegt haben, bereiten Sie die Wand für seine Installation vor.
  - Falls es sich um ein Schwimmbecken handelt, das neu gebaut wird, muss beachtet werden, dass der Abschluss des Schwimmbeckenrandes so belassen wird, wie es im Installationsschema angegeben ist.
  - Falls die Installation in einem bereits bestehenden Schwimmbecken vorgenommen wird, muss ein Teil des Abschlusses des Schwimmbeckenrandes entfernt werden, um ihn den folgenden Angaben entsprechend zu belassen: Es muss ein Teil der Schwimmbeckenwand frei vom Abschluss sein (82 cm), damit das Vordergerät integriert werden kann. Der Wasserstand des Schwimmbeckens muss die Hälfte der kippbaren Schleuse des Skimmers bedecken. Es wird empfohlen, einen ungefähren Abstand von 12 cm zwischen dem Wasserstand und der Basis, auf die sich das Vordergerät stützt, zu lassen (**Abb. 5) (S.71 und Installationsschema)**).
- Die Oberfläche, auf der sich das Gerät befindet, muss vollkommen waagrecht und flach sein, damit sich das Gerät vollkommen in einer Linie mit der Wand befindet.
- Bringen Sie das Combo-Vordergerät in der Lücke im Schwimmbeckenrand an, so dass es sich auf der Schwimmbeckenwand befindet und in einer vertikalen Linie mit dieser liegt. Markieren Sie auf dem oberen Teil der Wand jene Punkte, wo gebohrt werden muss, um das Gerät zu fixieren (Abb. 6) (S.71).
  - **Anmerkung:** das Vordergerät muss auf den Gummiklötzen stehen.
- Nehmen Sie das Vordergerät von der Wand und bohren Sie zwei Löcher für die mitgelieferten Dübel. Reinigen Sie die Oberfläche, bringen Sie die Dübel und die Dämpfungsgummis an und setzen Sie das Vordergerät zurück an seine endgültige Position. Fixieren Sie es mit den Schrauben DIN 571 M8x50 und den entsprechenden mitgelieferten Unterlegscheiben (**Abb. 6) (S.71)**).

## INSTALLATION DES FILTERGEHÄUSES

**WICHTIG:** die Installation des Rucksack-Gerätes **muss gemäß und entsprechend den verschiedenen zutreffenden Normen erfolgen**. Die im Installationsschema detailliert angegebenen Dimensionen müssen eingehalten werden (**Abb. 5) (S.71)**).

- Der Filtergehäuse wird direkt mit dem Vordergerät verbunden angebracht (**Abb. 7) (S. 72)**. Beim Verbinden der beiden Geräte müssen diese so angebracht werden, dass der kippbare Deckel des Filterungskastens auf das Vordergerät fällt und dieses schließt. Um die verbundenen Geräte installieren zu können, darf die Schwimmbeckenwand nicht dicker als 22 cm sein. Markieren Sie auf dem Boden jenen Bereich, in dem der Filterungskasten angebracht wird (**Abb. 5) (S.71) (sh. Installationsschema)**).
- Um das Anschließen des Abflusses und der anderen Leitungen zu erleichtern, muss eine Aushöhlung von 15-25 cm im Umkreis des gesamten Filterungskastens vorgesehen werden. Dadurch wird der Anschluss der Abflüsse und das Ausfüllen danach erleichtert (**sh. Installationsschema**).
- Schaffen Sie die Aushöhlung bis zu einer Minimaltiefe von 90 cm. Daneben müssen Sie die notwendigen Gräben für die Wasserversorgung, Abflüsse und Strom ausheben, bis zur Position des Filterungskastens, so wie im **Installationsschema angegeben (Abb. 7) (S. 72)**.
- Bevor Sie das Gehäuse einsetzen, müssen Sie den inneren Abfluss im Loch im Boden des Kastens installieren, davor muss der rote Stöpsel entfernt werden (**Abb. 8) (S. 72)**. Es ist äußerst wichtig, dass der genannte Abfluss installiert wird, da sich das Gehäuse bei seinem Fehlen mit Wasser und Erde füllen kann, die durch das genannte Loch eindringen, was eine entsprechende Gefährdung der Geräte mit sich bringt.

### WICHTIG

- Aus Transportgründen ist der Filterabfluss des Filtergehäuses nicht angeschlossen. Es ist unbedingt notwendig, diesen mit dem dreigliedrigen Verbindungsstück anzuschließen, bevor mit dem Außenanschluss begonnen wird (**Abb. 9) (S. 72)**).
- Der Grund der Aushöhlung muss geebnet und das Gehäuse eingekellt werden, um zu vermeiden, dass das

Gehäuse auf dem Innenabfluss liegt. Positionieren Sie das Gehäuse auf dem Boden und überprüfen Sie, dass der obere Teil in einer Linie mit dem Grund liegt (**Abb. 10**) (**S.72**).

### SEHR WICHTIG

**Der Filterabfluss und der der Schwerkraftabfluss müssen getrennt angeschlossen werden.** Die beiden Abflüsse dürfen nicht verbunden werden, da beim Entleeren des Schwimmbeckens durch verbundene Gefäße das Wasser über die Basis des Kastens eindringen und diesen überfluten würde. Verwenden Sie Ø 50 für den Abfluss der Pumpe und Ø 32 für den Schwerkraftabfluss (**Abb. 11**) (**S. 72**).

## ANSCHLUSS DES VORDERGERÄTES AN DAS FILTERGEHÄUSE

- Die Ein- und Ausgänge der beiden Gehäuse stehen sich aufeinander ausgerichtet gegenüber.
- Um die beiden Teile des Gerätes zu verbinden, verleimen Sie die Ein- und Ausgänge des Vordergerätes und des Filterungskastens. Das Design des Gerätes erlaubt eine leichte Abweichung zwischen den Rohren. Zu verwenden ist Leim für PVC-Rohre (nicht mitgeliefert).
  - Das Gerät ist für den Anschluss in einem Schwimmbecken mit einer Mauerdicke von 22 cm vorgesehen. Falls die Abmessung niedriger ist, müssen die Rohre abgeschnitten werden, um zu den neuen Abmessungen zu passen.

## ANSCHLUSS DER ELEKTROTEILE

- Überprüfen Sie, dass die Erdung des Gerätes einwandfrei ist.
  - Die elektrische Installation muss von dazu qualifizierten Fachleuten vorgenommen werden. Diese Anlage ist nicht geeignet für Personen mit körperlicher, mentaler oder Wahrnehmungseinschränkung oder ohne Erfahrung, es sei denn, Sie werden während der Benutzung von einem Sicherheitsverantwortlichen beaufsichtigt.
  - Das Gerät muss an einen 230 V 50 Hz Wechselstromanschluss mit Erdung angeschlossen werden. Dieser muss durch ein Differential (RCD) mit höchstens 30 mA gesichert sein.
  - Es muss unbedingt ein Allpolschalter mit einem Mindestabstand von 3 mm zwischen den Kontakten verwendet werden, um den Filter von der Stromversorgung trennen zu können.
- 
- Führen Sie das Stromversorgungskabel (nicht mitgeliefert) durch die hintere Stopfbuchse des Filterungskastens ein. Es wird die Verwendung eines dreifaserigen H07-RNF-Kabels und Querschnitt 1,5 mm<sup>2</sup> empfohlen. Führen Sie das Kabel entlang der Geräte bis zum Schaltkasten. Öffnen Sie den elektrischen Schaltkasten, führen Sie das Kabel durch dessen Stopfbuchse mit der Kennzeichnung 230 V ein und fixieren Sie die drei Eingänge an den Leisten, die gekennzeichnet sind mit N, L und T (Erdung), so wie angegeben auf (**Abb. 14**) (**S.73**).
  - Führen Sie das Kabel, das aus dem Vordergerät kommt (Scheinwerfer-Kabel), über die vordere Stopfbuchse des Filtergehäuses ein (**S. 71**) (**Position 14, Abb. 3**) und verbinden Sie es mit der Leiste des elektrischen Schaltkastens mit der Kennzeichnung 12 V, die für dieses Ende vorgesehen ist (**Abb. 12**) (**S.72**).

**SEHR WICHTIG: Beim Herstellen des Stromanschlusses müssen Sie sichergehen, dass der Scheinwerfer nicht eingeschaltet ist, ohne dass er ins Wasser eingetaucht ist. Sollte dies der Fall sein, schalten Sie ihn sofort über den pneumatischen Schalter aus (Abb 13) (S. 73).**

- Füllen Sie die Löcher rund um das Gehäuse mit Sand und verdichten Sie den Sand bis zum Bodenniveau.

## 4. INBETRIEBNAHME

- Die Pumpe darf nicht eingeschaltet werden, wenn sie nicht gefüllt ist.
- Der Filtervorgang darf nicht begonnen werden, wenn der Wasserstand den kippbaren Deckel des Skimmers nicht teilweise bedeckt.
- Der Unterwasser-Scheinwerfer darf nie eingeschaltet werden, wenn er nicht ins Wasser eingetaucht ist.

Folgen Sie den angeführten Schritten, um das Filtergerät in Betrieb zu nehmen:

- Vergewissern Sie sich, dass die Saugdüse geschlossen ist (Abb. 17, Position A).
- Lockern Sie alle dreigliedrigen Verbindungen des Wechselventils (**Abb. 15) (S. 73)**.
- Entfernen Sie das Wechselventil und die Dichtung, ohne dass die Dichtung dabei beschädigt wird.
- Füllen Sie das Gerät vorsichtig bis zur Hälfte mit Wasser.
- Füllen Sie den Filter mit Sand: um die Maximalleistung des Filters zu erreichen, wird empfohlen, Sand mit einer Teilchengröße von 0,4 bis 0,8 mm zu verwenden. Bis zur ungefähren Höhe von 2/3 des Filters.
- Decken Sie die Rohre mit D.50 mit einer Tüte ab und leeren Sie den zuvor beschriebenen Sandinhalt in sein Inneres. Gehen Sie vorsichtig vor, damit die Kollektoren nicht beschädigt werden.
- Bringen Sie das Wechselventil und die entsprechende Dichtung an, nachdem Sie zuvor den Verschlusssteil von Sand und Rückständen gereinigt haben.
- Vergewissern Sie sich, dass der Wasserstand im Schwimmbecken ausreichend ist, um die Hälfte des kippbaren Deckels des Skimmers abzudecken (**Abb. 5) (S.71)**.
- Die Pumpe darf auf keinen Fall ohne Wasser eingeschaltet werden, da dabei die mechanische Dichtung beschädigt werden und ein Verlust von Wasser durch diese ausgelöst werden kann.
- Vergewissern Sie sich, dass alle Anschlüsse des Gerätes korrekt und gut fixiert sind.
- Bevor Sie das Gerät zum ersten Mal einschalten, müssen Sie die Pumpe füllen. Nehmen Sie dazu den Deckel des Vorfilters ab und füllen Sie den Vorfilter mit Wasser (**Abb. 16) (S. 73)**. Schließen Sie den Deckel des Vorfilters wieder.
- Überprüfen Sie, dass sowohl der Filterdeckel, als auch der Deckel des Vorfilters der Pumpe korrekt geschlossen sind. Öffnen Sie das Saugventil (Abb. 17, Position A).
- Stellen Sie das Wechselventil auf Position REINIGUNG (**Abb. 17) (S. 73)**.
- Stellen Sie den Schalter der Uhr Position I (**Abb. 21) oder den Gangwähler auf Position manuell (Abb. 15) (S. 73)**. Stellen Sie den Schutzschalter der Pumpe des elektrischen Schaltkastens auf Position I (Einschalten) (**Abb. 21) (S. 74)**.
- Beginnen Sie mit dem Reinigen des Sandes (**sh. Abschnitt 6) (S. 39)**.
- Um das Gerät anzuhalten, stellen Sie den Schalter der Pumpe auf Position OFF (Ausschalten) (**Abb. 15) (S. 73)**.
- Stellen Sie das Wechselventil auf Position FILTERUNG (**Abb. 17) (S. 73)**.

## EINSTELLEN DER PROGRAMMIERBAREN UHR

- Der elektrische Schaltkasten verfügt über eine programmierbare Uhr, die es erlaubt, die Filterungszeiten, sowie Ein- und Ausschalten des Gerätes automatisch einzustellen. Um diese Funktion einzustellen, folgen Sie den angeführten Schritten (diese können von Modell zu Modell der Uhr unterschiedlich sein):
- Vergewissern Sie sich, dass sich der Schalter der Pumpe in Position OFF (ausgeschaltet) befindet (**Abb. 21) (S. 74)**.
- Zeiteinstellung: Entfernen Sie den transparenten Deckel der Uhr. Drehen Sie das innere Ziffernblatt der Uhr im Uhrzeigersinn, bis sich die tatsächliche Uhrzeit in einer Linie mit dem Pfeil (Dreieck) der Basis befindet (**Abb. 22) (S. 74)**.
- Einstellung der Betriebszeit: die Uhr verfügt über 48 Reiter, von denen jeder einer halben Stunde entspricht. Die Reiter können erhoben sein (angehalten) oder gedrückt (in Betrieb). Stellen Sie den Betriebszeitraum ein, indem Sie die gewünschten Reiter drücken (**Abb. 23) (S. 74)**. Es wird empfohlen, eine tägliche Filterungsdauer von acht Stunden einzustellen (16 Reiter).
- Aktivierung des automatischen Betriebes: Die programmierbare Uhr verfügt über einen Schalter mit zwei Positionen I und II. Position I aktiviert den Betrieb der Pumpe manuell. Position II hingegen bewirkt, dass sich Betrieb oder Stillstand der Pumpe nach den Reitern der Uhr richten (**Abb. 20) (S. 74)**. **ACHTUNG:** Versuchen Sie nicht, den Drücker der Uhr mit Gewalt in Position II zu bringen, da sich der Drücker, falls der Uhrzeiten-Reiter gedrückt ist, in Position I befindet.
- Bringen Sie den transparenten Deckel der Uhr wieder an.

## 5. BETRIEB

- Steigen Sie niemals auf den Deckel des Filtergehäuses oder des Vordergerätes.
- Der Deckel des Filtergehäuses muss IMMER mit den entsprechenden Schlössern mit dem Schlüssel verschlossen sein.
- Gestatten Sie es weder Erwachsenen noch Kindern, an den Gehäusen des Gerätes zu manipulieren oder sich auf diese zu setzen.
- Verwenden Sie das Vordergerät nie als Podium, um ins Schwimmbecken zu springen.
- Benutzen Sie das Vordergerät nicht als Hilfe zum Verlassen des Schwimmbeckens.
- Halten Sie den Skimmerbereich (wo sich der Korb befindet) frei von Gegenständen.
- Halten Sie die Körbe von Skimmer und Vorfilter der Pumpe sauber.

## VORGANG: FILTERUNG DES WASSERS

Der Skimmer ist das Filterelement, der das Wasser von der Oberfläche absaugt. Das Wasser läuft durch den Korb des Skimmers, die größeren Teile werden durch diesen zurückgehalten, die Verunreinigungen, die dieser nicht zurückhalten kann, laufen zum Kartuschenfilter, wo Sie ausfiltriert werden. Um den Vorgang zur Filterung des Wassers durchzuführen, befolgen Sie die folgenden Schritte:

- Stellen Sie den Schalter der Pumpe auf Position OFF (Ausschalten) **(Abb. 21) (S. 74)**.
- Stellen Sie das Wechselventil auf Position Filterung und die drei Kanäle auf Position Skimmer **(Abb. 17) (S. 73)**.
- Um eine regelmäßige Filterung automatisch zu programmieren, müssen Sie den Programmierer so einstellen, wie im Abschnitt „Programmierung der programmierbaren Uhr“ dieser Bedienungsanleitung beschrieben. Falls Sie die Filterung manuell starten möchten, stellen Sie den Schalter der Uhr auf Position I **(Abb. 20) (S. 74)** und bewegen Sie den Schalter der Pumpe auf die Position ON (Einschalten) **(Abb. 21) (S. 74)**.
- Um die Filterung anzuhalten, stellen Sie den Schalter der Pumpe auf Position OFF (Ausschalten) **(Abb. 21) (S. 74)**. Falls Sie die Pumpe in der Position zur automatischen regelmäßigen Filterung lassen möchten, müssen Sie den Schalter der Pumpe auf Position ON **(Abb. 21) (S. 74)** stellen und das Ziffernblatt der Uhr in Position II bringen, ohne dabei Druck auszuüben **(Abb. 20) (S. 74)**.

## VORGANG: BELEUCHTUNG DES SCHWIMMBECKENS

Das Rucksack-Gerät ist für einen Unterwasser-Scheinwerfer zur Beleuchtung des Schwimmbeckens vorgesehen. Um ihn ein- oder auszuschalten, reicht es, den pneumatischen Schalter des Scheinwerfers, der sich im hinteren Teil des Filtergehäuses befindet, zu drücken **(Abb. 13) (S. 73)**. Der Scheinwerfer wurde entworfen, um vollständig untergetaucht in Süßwasser-Schwimmbecken eingesetzt zu werden. Es handelt sich um ein elektrisches Gerät der Klasse III mit besonders niedriger Sicherheitsspannung (12 V Wechselstrom). Der Scheinwerfer erfüllt den Schutzgrad IPX8 (Resistenz gegen Eindringen von Staub, von Festkörpern und von Feuchtigkeit) bei einer Nominal-Eintauchtiefe von 2 Metern.

Der Scheinwerfer erfüllt die internationalen Sicherheitsnormen für Lichtquellen, im Speziellen die Norm EN 60598-2-18. 2: BESONDERE ERFORDERNISSE SEKTION 18 LICHTQUELLEN FÜR SCHWIMMBECKEN UND ÄHNLICHE GERÄTE.

## SEHR WICHTIG

Der Unterwasser-Scheinwerfer darf nie eingeschaltet werden, wenn er sich nicht unter Wasser befindet, da am Scheinwerfer dabei schwere Schäden entstehen könnten.

## 6. WARTUNG

- Auf jeden Fall zu Vermeiden ist der (auch unabsichtliche) Kontakt mit den Teilen des Gerätes, die in Bewegung sind.
- Bevor Sie etwaige Arbeiten am Gerät vornehmen, müssen Sie warten, bis dieses vollkommen still steht.
- Bevor Sie jeglichen Wartungsvorgang an Elektrik oder Mechanik vornehmen, gehen Sie sicher, dass die Maschine vom Stromnetz getrennt ist und dass die Einschaltvorrichtung blockiert ist.
- Gehen Sie sicher, dass der Boden trocken ist, bevor Sie das elektrische Gerät berühren.
- Hantieren Sie nicht mit nassen Füßen am Gerät.

## REINIGUNG DES FILTERS

Wenn Sie feststellen, dass sich die vorangetriebene Durchflussmenge verringert, ist eine Reinigung des Filters durchzuführen. Um eine Reinigung des Filters durchzuführen, gehen Sie vor wie im Folgenden angegeben:

- Stellen Sie den Schalter der Pumpe auf Position OFF (Ausschalten) **(Abb. 21) (S. 74)**.
- Stellen Sie das Wechselventil auf Position „Reinigung“.
- Schalten Sie die Pumpe für zwei oder drei Minuten ein. Hier empfiehlt sich, die Anzeige des Wechselventils zu beobachten, um die exakte Dauer des Vorganges zu bestimmen.
- Nach Beenden des Reinigungsvorganges schalten Sie die Pumpe aus, indem Sie den Schalter der Pumpe auf Position OFF (Ausstellen) stellen **(Abb. 21) (S. 74)**.

## REINIGUNG DES SKIMMER-KORBES

Im Korb des Skimmers sammeln sich die Blätter und anderen Gegenstände, die im Wasser schwimmen, an. Von Zeit zu Zeit ist der Korb zu reinigen, damit er sich nicht verstopft. Um den Korb herauszunehmen, gehen Sie wie folgt vor:

- Stellen Sie den Schalter der Pumpe auf Position OFF (Ausschalten) **(Abb. 21) (S. 74)**.
- Öffnen Sie am Vordergerät den Zugangsdeckel zum Skimmer **(Abb. 16) (S. 73)**.

- Nehmen Sie den Henkel des Korbes und drehen Sie ihn, bis ein senkrechtes Entfernen möglich ist (**Abb. 25**) (**S. 75**).
- Sobald Sie den Korb von Blättern und anderen Gegenständen befreit haben, müssen Sie ihn wieder zurücksetzen. Für seine korrekte Fixierung müssen Sie den Korb in seine Öffnung drehen, bis er fest sitzt und nicht senkrecht herausfallen kann.

## REINIGUNG DES VORFILTERS DER PUMPE

Es wird empfohlen, den Zustand des Vorfilters der Pumpe regelmäßig zu überprüfen, um eine Verstopfung desselben zu vermeiden. Wenn Sie eine angestaute Verunreinigung feststellen, müssen Sie ihn öffnen und reinigen. Zur Reinigung des Vorfilters gehen Sie wie folgt vor:

- Stellen Sie den Schalter der Pumpe auf Position OFF (Ausschalten) (**Abb. 21**) (**S. 74**).
- Schließen Sie das Saugventil der Pumpe (**Abb. 17**) (**S. 73**).
- Nehmen Sie den Deckel ab und nehmen Sie den Korb des Vorfilters zum Reinigen heraus (**Abb. 16**) (**S. 73**).
- Setzen Sie den Korb zurück an seine Position. Bringen Sie die Dichtung des Deckels ordnungsgemäß an, um ihn zu schließen, wobei Sie sicherstellen, dass die Senkung der Dichtung sauber ist.
- Öffnen Sie das Saugventil der Pumpe.

## WARTUNG DES SCHEINWERFERS

**ACHTUNG:** vor jeglichem Hantieren müssen Sie sicherstellen, dass der Scheinwerfer nicht unter Strom steht. **Trennen Sie dazu das Gerät von der Stromversorgung.**

Um den Scheinwerfer bis zum Schwimmbeckenrand zu ziehen, muss der Zierring mit Hilfe eines Schraubendrehens über die vier Nuten des Zierrings entfernt werden (**Abb. 26**) (**S. 75**). Entfernen Sie die Schrauben 6x20 (n°. 11) (**S. 43**) (**Abb. 27**) (**S. 75**). Ziehen Sie den Scheinwerfer bis zum Schwimmbeckenrand heraus. Zerlegen Sie den Scheinwerfer, indem Sie die Muttern abnehmen (n°. 15) (**S. 43**), die den Zierring (n°. 2) (**S. 43**) mit der Verbindung von Display und Platine verbinden (n°. 5) (**S. 43**), um zur Lampe zu gelangen (**Abb. 28 und Abb. 29**) (**S. 75**). Ziehen Sie an der Lampe (n°. 7) (**S. 43**) (**Abb. 30**) (**S. 75**), um Sie von der Lampenfassung zu trennen (n°. 13) (**S. 43**) und bringen Sie die neue an (**Abb. 30**) (**S. 75**).

**SEHR WICHTIG:** um die Lampe zu wechseln, **müssen Sie immer den Schutzkarton verwenden und niemals die Lampe mit bloßen Händen berühren.**

Fahren Sie mit der Montage des Scheinwerfers fort, indem Sie die beschriebenen Schritte mit Hilfe eines Schraubendrehers in umgekehrter Reihenfolge durchführen. Spannen Sie auf gar keinen Fall das Kabel.

## ACHTUNG

- Die neue Lampe muss dieselben Eigenschaften aufweisen wie jene, die mit dem Scheinwerfer geliefert wird, 100 W 12 V (AC), halogen.
- Um eine perfekte Dichtheit sicherzustellen, müssen Sie die Senkung der Linsendichtung des Scheinwerfers reinigen (n°. 4) (**S. 43**) oder diese gegebenenfalls ersetzen, falls Sie an ihr eine Kerbe oder dauerhafte Verformung feststellen.

## VORBEREITUNG DES GERÄTES FÜR DIE WINTERSAISON

Es wird empfohlen, das Gerät für die Wintersaison oder für einen längeren Zeitraum im Stillstand vorzubereiten. Führen Sie dazu die folgenden Vorgänge durch:

- Stellen Sie den Schalter der Pumpe auf Position OFF (Ausschalten) (**Abb. 21**) (**S. 74**).
- Entfernen Sie das Wasser aus Filter, Pumpe und Rohren.

## ACHTUNG

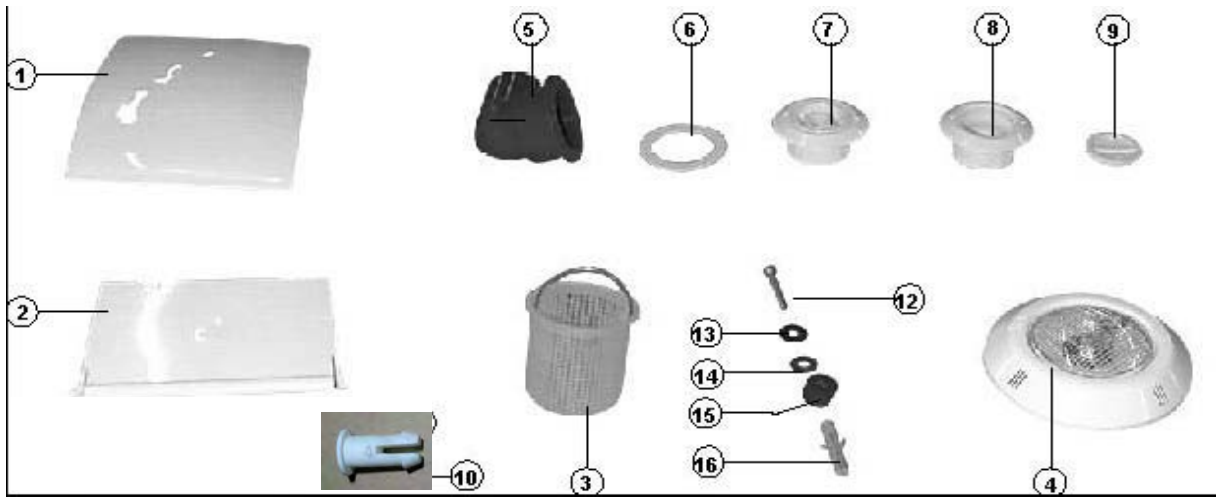
Bei möglichem Gefrieren der Schwimmbeckenoberfläche empfiehlt sich das Entfernen des Vordergerätes des Schwimmbeckens, um ein Zerbrechen desselben zu vermeiden.

## 7. MÖGLICHE STÖRFÄLLE

PROBLEMFÄLLE	GRÜNDE	LÖSUNGEN
Das Gerät treibt kein Wasser voran.	Fehlende Stromversorgung.	Überprüfen Sie die Stromverbindung und das Gelangen von Strom zur Buchse.
	Der Motorschutz ist schlecht eingestellt.	Überprüfen Sie den Verbrauch der Pumpe und passen Sie den Motorschutz des elektrischen Schaltkastens an.
Das Gerät treibt wenig Wasser voran.	Der Filter ist verschmutzt.	Führen Sie eine Reinigung des Filters durch.
	Der Vorfilter der Pumpe oder des Skimmers ist verschmutzt.	Reinigen Sie den Vorfilter der Pumpe oder den Korb des Skimmers.
	Es gelangt Luft in die Saugrohre.	Überprüfen Sie den Zustand der Verbindungsstücke und der Dichtungen des Saugrohres.
	Unzureichender Wasserstand des Schwimmbeckens.	Füllen Sie das Schwimmbecken, bis der Wasserstand die Hälfte der Kippschleuse des Skimmers deckt.
	Fehlerhafte Spannung.	Überprüfen Sie, ob die Netzspannung mit der Spannung übereinstimmt, die auf der Plakette mit den Motoreigenschaften angegeben ist.
Die Pumpe füllt sich nicht.	Eindringen von Luft.	Überprüfen Sie alle Rohrverbindungen und den Deckel der Pumpe. Füllen Sie den Vorfilter der Pumpe mit Wasser.
Das Gehäuse füllt sich mit Wasser.	Der Abfluss des Gehäuses wurde nicht installiert.	Installieren Sie einen Abfluss für die Entleerung des Wassers aus dem Gehäuse.
Beim Entleeren des Schwimmbeckens füllt sich das Filtergehäuse mit Wasser.	Die Abflüsse der Pumpe und der Restabfluss sind untereinander verbunden.	Verändern Sie die Installation der Abflüsse, so dass jeder sein eigenes Abflussrohr hat.
Die Lampe leuchtet nicht.	Fehlende Stromversorgung.	Überprüfen Sie den korrekten Anschluss.
	Kaputte Lampe.	Wechseln Sie die Lampe.
	Pneumatischer Schalter ist nicht angeschlossen.	Überprüfen Sie, dass das Rohr des Knopfes ordnungsgemäß angeschlossen ist.

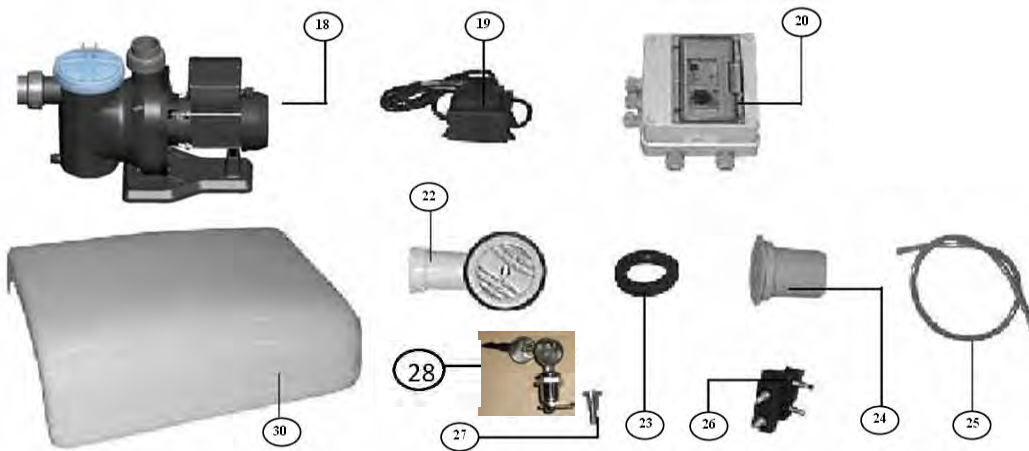


## 8. ERSATZTEILE ERSATZTEILE VORDERGERÄT



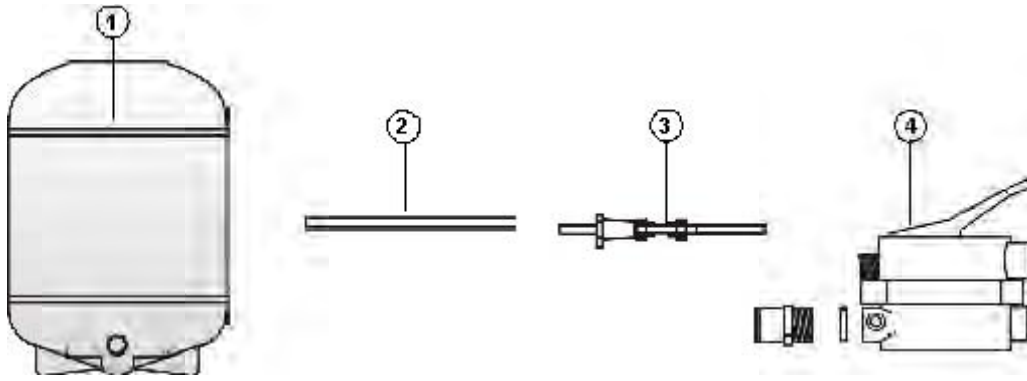
Nº	CODE	BESCHREIBUNG	Nº	CODE	BESCHREIBUNG
1	22440R0300	Oberer Deckel Skimmer	9	00300R0002	Propfen Sauger
2	05280R0200	Kippbarer Deckel des Skimmers	10	01353R0012	Clip
3	09096-0140	Korb	12	70134R08050	Schraube rostfrei D8*50 DIN 571
4	00361R	Scheinwerfer	13	18546R1304	Flachdichtung 9*25*1,5
5	020408004R	Eckstück Antriebsdüse	14	70139R08000	Unterlegscheibe rostfrei D8 DIN 9021
7	04035R000	Antriebsdüse	15	15260R0203	Gummiklotz 9*25*15
8	20888R0200	Adapter Bodenreiniger	16	00041R0104	Klotz Fisher N°10

## ERSATZTEILE DES FILTERUNGSKASTENS



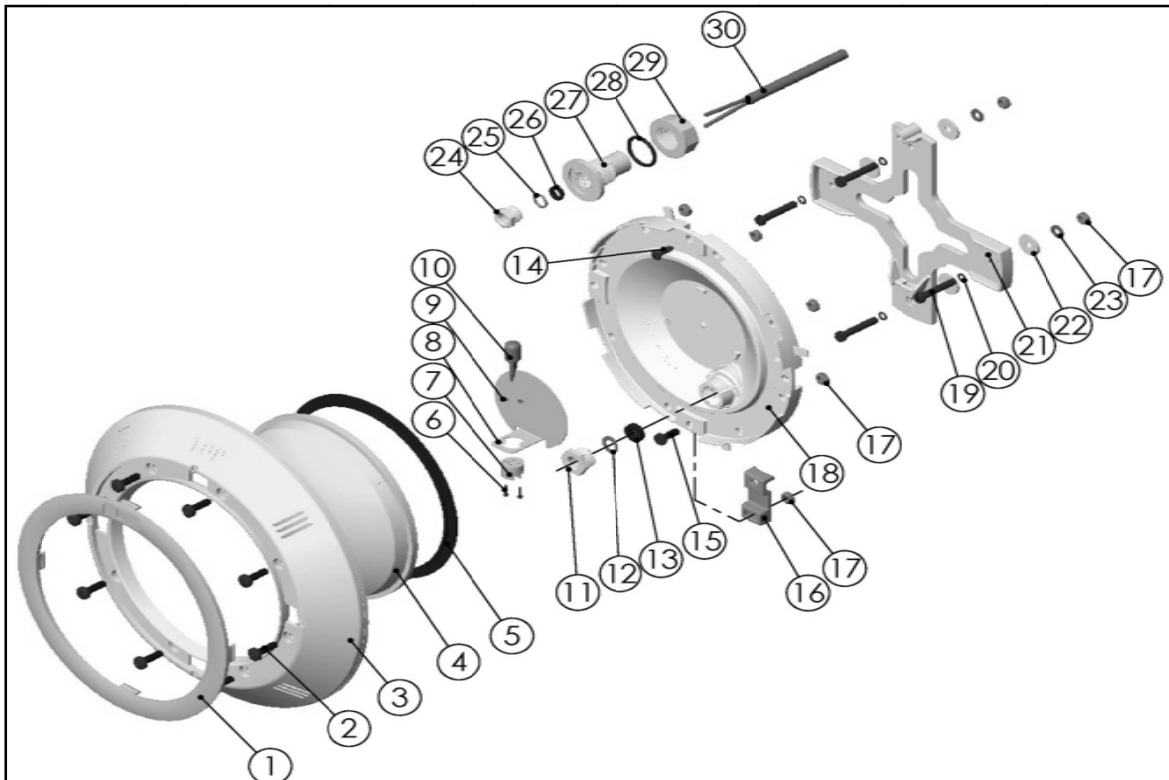
Nº	CODE	BESCHREIBUNG	Nº	CODE	BESCHREIBUNG
18	25463	Pumpe Seine 3/4 cv. einfasig	25	00241R0404	Plastikrohr
19	18546R2242 /	Transformator	26	00621R0201	Scharnier
20	22440R2243	Elektrischer Schaltkasten (Option Scheinwerfer)	27	7013208020	Schraube rostfrei M8X20 DIN 7985
22	031311001	Abfluss Kassette jimten	28	22440R4000	Schlossset
23	00615R0102	Dichtung Rohrkanal D.50	30	22440R0500	Oberer Hinterdeckel
24	04048R0100	Pneumatischer Schalter			

## ERSATZTEILE FILTER



Nº	CODE	BESCHREIBUNG	Nº	CODE	BESCHREIBUNG
1	154050001S	Bottich Filter ø 500	3	24182R0003	Zwinge
2	720R1750057	Dichtung Deckel	4	21442R	6-wegiges Ventil Top

## ERSATZTEILE SCHEINWERFER



N°	CODE	BESCHREIBUNG	N°	CODE	BESCHREIBUNG
1	18042R0001	Zierring	10	00346R0011	Dichtung Stopfbuchse
2	18042R0002	Zierkappe Scheinwerfer	11	7013206020	Schraube DIN 7985 A2 M6x20
3	00373	Transparente Linse	12	00346R0102	Keramikleiste
4	00346R0004	Dichtung Linse Scheinwerfer	13	00346R0103	Lampenfassung
5	00346R0100	Set Display und Platine	14	00346R0007	Kabel H07 RN-F 2x1
6	00346R0014	Kreuzstück Halterung Scheinwerfer flach	15	7012106000	Mutter DIN 934 A2 M-6
7	00371	Halogenlampe 12V 100W	16	00346R0013	Fixierhaken
8	00346R0010	Mutter Stopfbuchse PG-11	17	7010106016	Schraube DIN 933 A2 M6x16
9	00346R0012	Unterlegscheibe Stopfbuchse 16,5x10,5x1,5			

#### BEUTELINHALT

N°	CODE	BESCHREIBUNG	MENGE	N°	CODE	BESCHREIBUNG	MENGE
18	00346R0005	Mutter Stopfbuchse PG-9	1	24	7011448016	Schraube DIN 7981 A2 4,8x16	1
19	00346R0009	Unterlegscheibe Stopfbuchse D.10	1	25	7010506035	Schraube DIN 84 A2 M6x35	4
20	00346R0006	Dichtung Stopfbuchse 13x9,6x4 PG-9	1	26	7230050015	O-Dichtung 5x1,5	4
21	00346R0015	Gehäuse Mauerdurchbruch	1	27	00361R0001	Flache Dichtung 20x6x2	4
22	7230195030	O-Dichtung 19,5x3	1	28	7011906000	Unterlegscheibe DIN 125 A2 M-6	4
23	00361R0101	Mutter Mauerdurchbruch	1	29	7012106000	Mutter DIN 934 A2 M-6	4

**IMPORTANTE:** il manuale di istruzione che ha tra le sue mani contiene delle informazioni fondamentali sulle norme di sicurezza da adattare nel momento dell'installazione e dell'avvio. Per questo è importante che sia l'installatore che l'utente leggano le istruzioni prima di passare al montaggio e all'avvio.

- In tutto ciò che si riferisce all'installazione elettrica, va seguita la normativa

Direttiva Europea 2006/95/CE di apparati di bassa tensione,  
EN 60335-2-41, sicurezza in apparati elettrodomestici e analoghi, requisiti particolari per pompe

Così come tutta la normativa applicabile che faccia riferimento “*alla costruzione di installazioni elettriche in confini speciali. Piscine e fontane*”, o analoghe, vigente in ogni zona o paese.

- L'installazione elettrica deve essere eseguita da personale professionale qualificato in installazioni elettriche. Questo apparato non è destinato a persone con capacità fisiche, sensoriali o mentali ridotte o senza esperienza, a meno che non abbiano ricevuto supervisione o istruzioni in merito al suo uso da un responsabile della sicurezza.
- L'altezza della sabbia non deve superare i 2/3 dell'altezza del deposito.
- Non mantenga l'apparato acceso mentre utilizza la piscina.
- Non faccia funzionare l'attrezzatura se non è spurgato correttamente.
- Non tocchi MAI l'attrezzatura in funzione con il corpo umido o le mani umide.
- Ogni volta che deve manipolare l'attrezzatura o la valvola, la DISCONNETTA dalla presa di corrente.
- Si assicuri che il suolo sia secco prima di toccare l'attrezzatura elettrica.
- Non collochi l'attrezzatura sommersa o dove possa rimanere sommersa.
- Non permetta né ai bambini né agli adulti di appoggiarsi o di sedersi sull'attrezzatura. I bambini devono essere controllati per assicurarsi che non giochino con l'attrezzatura.
- Se il cavo flessibile dell'alimentazione di questo apparato è danneggiato, va sostituito solo dal fabbricante o dai suoi servizi tecnici. In caso di dubbio consulti un servizio tecnico.
- L'attrezzatura va collegata ad una presa di tensione da 230 V di corrente alterna e 50 Hz, con una connessione a terra, protetta con un interruttore differenziali (RCD) con una corrente di funzionamento residuale assegnata che non ecceda i 30 mA.
- È imprescindibile utilizzare un dispositivo di disconnessione multipla con una separazione minima di 3 mm tra i contatti per sconnettere il filtro della alimentazione elettrica.
- Questa attrezzatura va installata in piscine con una profondità massima di 1,5 m
- Le attrezzature citate in questo manuale sono concepite per lavorare con acque pulite di piscina con temperature che non eccedano i 35 °C. Il loro uso con qualsiasi altro tipo di acqua non è contemplato.
- Qualsiasi modifica che si pretenda effettuare all'attrezzatura richiama l'autorizzazione previa del fabbricante. I ricambi originali e gli accessori autorizzati dal fabbricante servono per garantire una sicurezza maggiore. Il fabbricante dell'attrezzatura viene escluso da ogni responsabilità circa danni causati da ricambi o accessori non autorizzati.
- Durante il funzionamento alcune parti dell'attrezzatura si trovano a voltaggi elettrici pericolosi. Il lavoro su di ogni elemento o sulle attrezzature ad esso collegate potrà svolgersi solo dopo averlo scollegato dalla rete di alimentazione elettrica e dopo aver scollegato il dispositivo di avvio.
- In caso di funzionamento difettoso o di avaria, dirigersi al Servizio di Assistenza Tecnica del fabbricante, o al rappresentante del fabbricante più vicino.
- A tale rispetto bisogna compiere le norme UNE 20-460-93 Parte 7-702: INSTALLAZIONI ELETTRICHE IN EDIFICI. INSTALLAZIONI SPECIALI PER PISCINE.
- Il tappo della cassa di filtraggio deve essere SDEMPRE chiuso con le sue corrispondenti serrature con chiave.

## 1. CONTROLLI E CONTENUTO DELL'IMBALLAGGIO

L'imballaggio dell'attrezzatura da zaino Combo dispone di 1 cassa con il seguente contenuto: **(fig.1) (pag. 71)**

- a. Attrezzatura frontale
- b. 2 viti DIN 571 M8x50 con le loro rispettive rondelle e tasselli per cemento
- c. 2 gomme ammortizzatrici
- d. Scatola dell'attrezzatura di filtraggio
- e. Scarico della cassa di filtraggio

## 2. CARATTERISTICHE GENERALI

L'attrezzatura da zaino Combo sostituisce un sistema di filtraggio dell'acqua della piscina composto da 2 elementi basilici: un'attrezzatura frontale che si colloca alla parete della piscina e un'attrezzatura di filtraggio che contiene la pompa, il filtro e il quadro elettrico. Questi elementi si collegano tra loro tramite 3 conduzioni e un cavo elettrico.

### Descrizione dei componenti (fig. 2, 3 e 3.1) (pag. 71)

- 1 Corpo dell'attrezzatura frontale
- 2 Faretto. Solo nel modello 22440
- 3 Coperchio di accesso allo skimmer
- 4 Coperchio basculante dello skimmer
- 5 Connessione per manichetta del puliscifondi
- 6 Filtro per l'impulsione dell'acqua filtrata
- 7 Corpo della cassa di filtraggio
- 8 Coperchio superiore della cassa
- 9 Pompa
- 10 Filtro
- 11 Valvola selettiva
- 12 Quadro elettrico
- 13 Trasformatore
- 14 Premistoppa cavo faretto
- 15 Pulsatore pneumatico
- 16 Serratura
- 17 Valvola di aspirazione

Il sistema a zaino può realizzare quattro funzioni integrate in una sola attrezzatura:

- Filtraggio dell'acqua della piscina.
- Possibilità di collegare un puliscifondi.
- Svuotamento della piscina.
- Illuminazione della piscina. Solo nel modello 22440.

Il vantaggio di utilizzare un'attrezzatura di zaino risiede nel ridursi delle installazioni necessarie. Si richiederanno solo una presa di alimentazione elettrica e due scarichi. L'attrezzatura di filtraggio da zaino compie con le normative: UNE 20-460-93. Il produttore in nessun caso è responsabile del montaggio, dell'installazione o dell'avvio di qualsiasi manipolazione o incorporazione di componenti elettrici che non si sia realizzata durante le installazioni.

## 3. INSTALLAZIONE E MONTAGGIO

In tutto ciò che si riferisce all'installazione elettrica, va seguita la normativa

Direttiva Europea 2006/95/CE di apparati di bassa tensione,  
EN 60335-2-41, sicurezza in apparati elettrodomestici e analoghi, requisiti particolari per pompe

Così come tutta la normativa applicabile che faccia riferimento "alla costruzione di installazioni elettriche in confini speciali. Piscine e fontane", o analoghe, vigente in ogni zona o paese.

- Questa attrezzatura dev'essere installata in piscine con una profondità massima di 1,5 m.
- Non collochi l'attrezzatura sommersa o dove possa essere sommersa.
- Si raccomanda di non perforare la cassa di filtraggio, poiché l'acqua contenuta nel terreno potrebbe penetrare in qualsiasi orifizio rimasto sotterrato.

## INSTALLAZIONE DELL'ATTREZZATURA FRONTALE DLE COMBO

- Collochi il Combo nella posizione più adeguata tenendo in conto la direzione del vento dominante.
- L'attrezzatura frontale del Combo va situata nella zona dove si accumulerà la sporcizia (foglie e la maggior parte delle particelle flottanti), quindi va collocata nel centro della parete orientata contro la direzione del vento dominante (**fig. 4**) (**pag. 71**).
- Una volta determinata la posizione adeguata per l'attrezzatura frontale bisognerà preparare la parete per la sua installazione.
  - Se la piscina è di nuova costruzione bisogna lasciare l'incoronazione nelle condizioni che si specificheranno nello schema di installazione.
  - Se si realizza in una piscina con la costruzione completata, bisognerà estrarre parte dell'incoronazione della piscina, per lasciarla con le seguenti specificazioni: bisogna lasciare parte di muro della piscina libero dall'incoronazione (82 cm), affinché l'attrezzatura frontale rimanga integrata. Il livello dell'acqua della piscina deve coprire metà della comporta basculante dello skimmer. Si raccomanda di mantenere una distanza approssimativa di 12 cm tra il livello dell'acqua e la base dove appoggia l'attrezzatura frontale, (**fig. 5**) (**pag. 71 e schema di installazione**).
- La superficie sulla quale poggerà l'attrezzatura dev'essere completamente orizzontale e piana affinché l'attrezzatura rimanga perfettamente allineato alla parete.
- Collocare l'attrezzatura frontale del combo nel buco dell'incoronazione di modo che che poggi sulla parete della piscina e rimanga allineata verticalmente con quest'ultima e segnare sulla parte superiore della parete i punti dove bisognerà realizzare i fori per fissare l'attrezzatura (**fig. 6**) (**pag. 71**).
  - **Nota:** l'attrezzatura frontale deve poggiare sui tasselli di gomma.
- Ritiri l'attrezzatura frontale dalla parete e realizzi due buchi per i tasselli somministrati. Pulisca la superficie, collochi i tasselli, le gomme ammortizzatrici e riponga nuovamente l'attrezzatura frontale nella sua posizione finale. Fissi tramite le viti DIN 571 M8x50 e le loro rispettive rondelle somministrarte (**fig. 6**) (**pag. 71**).

## ISTALLAZIONE DELLA CASSA DI FILTRAGGIO

**IMPORTANTE:** l'installazione dell'attrezzatura zaino **deve seguire e soddisfare le diverse normative vigenti**. Bisognerà seguire le dimensioni dettagliate nello schema di installazione (**fig. 5**) (**pag. 71**).

- La cassa di filtraggio va collocata assemblata direttamente con l'attrezzatura frontale (**fig. 7**) (**pag. 72**). Nel momento in cui assemblate le due attrezzature, queste devono rimanere disposte in modo che il coperchio basculante della cassa di filtraggio cada sopra l'attrezzatura frontale, chiudendola. Per poter installare le attrezzature assemblate, il muro della piscina non può avere uno spessore superiore ai 22 cm. Segni sul terreno la zona dove si ubicherà la cassa di filtraggio (**fig. 5**) (**pag. 71**) (**si osservi lo schema di installazione**).
- Per facilitare il collegamento tra lo scarico e i condotti bisognerà prevedere la realizzazione di uno scavo si 15-25 cm superiore alla circonferenza della cassa di filtraggio per facilitare il collegamento tra lo scarico e il riempimento posteriore (**si osservi lo schema di installazione**).
- Realizzi uno scavo fino a una profondità minima di 90 cm. Inoltre bisognerà realizzare le ofsse necessarie per la fornitura dell'acqua, dello scarico e per la potenza elettrica fino alla posizione della cassa di filtraggio, secondo quanto indicato dallo **schema di installazione (fig. 7) (pag. 72)**.
- Prima di depositare la cassa bisognerà installare lo scarico inferiore nel boco alla basa della cassa, previamente bisognerà ritirare il coperchio rosso. (**fig. 8**) (**pag. 72**). È molto importante installare questo scarico poiché in sua mancanza la cassa può continuare a riempirsi di acqua e terra che si introdurranno attraverso il foro, il che può causare un rischio per entrambe le attrezzature.

### IMPORTANTE

- Per motivi di trasporto, la cassa di filtraggio e il filtro dello scarico sono scollegati. È imprescindibile collegarli con i collegamenti tra i pezzi prima di procedere al suo collegamento esterno (**fig. 9**) (**pag. 72**).
- Livellare la base dello scavo e calzare la cassa per evitare che questa appoggi sullo scaricvo inferiore. Depositare la cassa sul fondo assicurandosi che la parte superiore sia allineata con il terreno (**fig. 10**) (**pag. 72**).

### MOLTO IMPORTANTE

- **Collegare lo scarico del filtro e lo scarico per gravità in modo separato.** I due scarichi non possono riunirsi poiché quand si realizzerà lo svuotamento della piscina, tramite vasi comunicanti, l'acqua penetrerebbe dalla base della cassa inondandola. Utilizzare Ø 50 per lo scarivo della pompa e Ø 32 per lo scarico per gravità (**fig. 11**) (**pag. 72**).

## COLLEGAMENTO DELL'ATTREZZATURA FRONTALE CON LA CASSA DI FILTRAGGIO

- Gli ingressi e le uscite dei due corpi rimangono di fronte e allineate l'una all'altra.
- Per unire le due parti dell'attrezzatura, incollare le uscite e le entrate dell'attrezzatura frontale e della cassa di filtraggio. Lo schema dell'attrezzatura permette una leggera deviazione tra le tuberie. Bisognerà usare della colla per tubature di PVC (non fornita).
  - L'attrezzatura è preparata per essere assemblata in una piscina con una parete di 22 cm. Nel caso in cui la dimensione sia inferiore, bisognerà tagliare le tubature per adattare alle nuove dimensioni.

## CONNESSIONE DEGLI ELEMENTI ELETTRICI

- Controlli che la presa a terra dell'installazione sia corretta.
- L'installazione elettrica deve essere eseguita da personale professionale qualificato in installazioni elettriche. Questo apparato non è destinato a persone con capacità fisiche, sensoriali o mentali ridotte o senza esperienza, a meno che non abbiamo ricevuto supervisione o istruzioni in merito al suo uso da un responsabile della sicurezza.
- L'attrezzatura va collegata ad una presa di tensione da 230 V di corrente alterna e 50 Hz, con una connessione a terra, protetta con un interruttore differenziali (RCD) con una corrente di funzionamento residuale assegnata che non ecceda i 30 mA.
- È imprescindibile utilizzare un dispositivo di disconnessione multipla con una separazione minima di 3 mm tra i contatti per sconnettere il filtro della alimentazione elettrica.

- Introdurre il cavo di alimentazione elettrica (non fornito) per il premistoppa posteriore della cassa di filtraggio. Si raccomanda di utilizzare un cavo H07-RNF da tre fili e sezione da 1,5 mm<sup>2</sup>. Passare il cavo seguendo il bordo delle attrezzature fino a raggiungere il quadro elettrico. Aprire il quadro elettrico, passare il cavo sul premistoppa con il simbolo che indica 230 V e fissare i tre terminali alle striscie identificate con le etichette N, L e T (presa a terra), come indicato nella **(fig. 14) (pag. 73)**.
- Introdurre il cavo procedente dall'attrezzatura frontale (cavo del proiettore) per il premistoppa frontale della cassa di filtraggio **(pag. 71) (posizione 14, fig. 3)** e collegarlo con la striscia del quadro elettrico che indica 12 V destinata a tal fine **(fig. 12) (pag. 72)**.

**MOLTO IMPORTANTE: quando realizzate il collegamento di alimentazione, assicuratevi che il proiettore non resti acceso senza essere sommerso nell'acqua. Se succedesse, bisognerà spegnerlo immediatamente tramite il pulsante pneumatico (fig. 13) (pag. 73).**

- Riempire di sabbia i buchi intorno alla cassa e compattare la sabbia fino al livello del suolo.

## 4. ACCENSIONE

- Non bisogna accendere la pompa se non è alimentata.
- Non bisogna avviare le operazioni di filtraggio se il livello dell'acqua non arriva a coprire parte del coperchio basculante dello skimmer.
- Non accendere mai il proiettore subacqueo se questo non è immerso nell'acqua.

Per avviare l'attrezzatura di filtraggio, segua i seguenti passi:

- Assicurarsi che la valvola di aspirazione sia chiusa (fig. 17, posizione A).
- Allentare tutti i collegamenti tra le parti della valvola selettiva. **(fig.15) (pag. 73)**.
- Togliere la valvola selettiva e la giuntura, cercando di non danneggiare la giuntura.
- Riempirla con attenzione di acqua fino alla metà.
- Caricare il filtro di sabbia: per ottenere il massimo rendimento del filtro si raccomanda di depositare sabbia con una granulometria da 0,4 a 0,8 mm, fino ad un'altezza approssimativa di 2/3 del filtro.
- Tappare la tuberia di D.50 con una borsa e riempire il suo interno con il contenuto di sabbia indicato anteriormente e con la massima attenzione per non danneggiare i collettori.
- Collocare la valvola selettiva e la giuntura corrispondente, avendo pulito anteriormente dalla sabbia e dai residui la zona della chiusura.
- Assicurarsi di mantenere un livello d'acqua nella piscina sufficiente per coprire la metà del tappo basculante dello skimmer **(fig. 5) (pag. 71)**.

- La pompa non può funzionare mai senza acqua, poiché al contrario potrebbe danneggiare la giuntura meccanica provocando perdite d'acqua dalla giuntura stessa.
- Controllare che tutti i collegamenti dell'installazione siano corretti e siano ben fissati.
- Prima di avviare l'attrezzatura per la prima volta è necessario realizzare l'adescamento della pompa. Per fare questo è necessario ritirare il coperchio del prefiltro e riempire il prefiltro d'acqua **(fig. 16) (pag. 73)**. Poi chiudere nuovamente il coperchio del prefiltro.
- Controllare che sia il coperchio del filtro che quello del prefiltro della pompa siano chiusi correttamente. Aprire le valvole di aspirazione (fig.17, posizione A).
- Situare la valvola selettiva in posizione LAVAGGIO **(fig. 17) (pag. 73)**.
- Situare l'interruttore dell'orologio in posizione **I (fig.21) o il selettore di accensione in posizione manuale (fig. 15) (pag. 73)**. Situare l'interruttore di protezione della pompa del quadro elettrico situandolo nella posizione I (collegamento) **(fig. 21) (pag. 74)**.
- Procedere al lavaggio della sabbia **(si osservi l'apparato 6) (pag. 50)**.
- Per fermare l'attrezzatura situare l'interruttore della pompa in posizione OFF (sconnessione) **(fig. 15) (pag. 73)**.
- Situare la valvola selettiva in posizione FILTRAGGIO **(fig. 17) (pag. 73)**.

## PROGRAMMAZIONE DELL'OROLOGIO PROGRAMMATORE

- Il quadro elettrico dispone di un orologio programmatore che permette di automatizzare i tempi di filtraggio, l'avviamento e lo spegnimento dell'attrezzatura. Per programmare questa funzione bisogna seguire i seguenti passi (possono variare in funzione del modello di orologio):
- Assicurarsi che l'interruttore della pompa sia in posizione OFF (sconnessione) **(fig. 21) (pag. 74)**.
- Assegnazione dell'ora: togliere il coperchio trasparente dell'orologio. Girare la sfera interna dell'orologio in senso orario fino ad allineare l'ora attuale con la freccia (triangolo) della base **(fig. 22) (pag. 74)**.
- Configurazione del periodo di funzionamento: l'orologio dispone di 48 risvolti, ognuno corrispondente a mezz'ora. I risvolti possono essere sollevati (fermo) o premuti (funzionamento). Configurare il periodo di funzionamento lasciando premuti i risvolti desiderati **(fig. 23) (pag. 74)**. Si raccomanda di configurare un periodo di filtraggio diario di 8 ore (16 risvolti).
- Attivazione del funzionamento automatico: l'orologio programmatore dispone di un interruttore con due posizioni I o II. La posizione I attiva il funzionamento della pompa manuale. La posizione II al contrario lascia che il funzionamento o l'arresto della pompa siano regolati dai risvolti dell'orologio **(fig. 20) (pag. 74)**. **NOTA:** non forzare il grilletto dell'orologio provando a situarlo in posizione II, poiché se i risvolti orari attivi vengono premuti, il grilletto resterà spostato verso la posizione I.
- Ricollocare il coperchio trasparente dell'orologio.

## 5. FUNZIONAMENTO

- Non pestare mai il coperchio del tappo della cassa di filtraggio né dell'attrezzatura frontale.
- Il coperchio del tappo di filtraggio dev'essere SEMPRE chiuso dalle sue corrispondenti serrature con chiave.
- Non permettere ai bambini o adulti di manipolare né di sedersi sulle parti dell'attrezzatura.
- Non utilizzare mai l'attrezzatura frontale come un trampolino da cui tuffarsi nella piscina.
- Non utilizzare l'attrezzatura frontale come supporto per uscire dalla piscina.
- Mantenere lo spazio dello skimmer (dove si trova la cesta) libera da oggetti.
- Mantenere puliti la cesta dello skimmer e il prefiltro della pompa.

### OPERAZIONE: FILTRAGGIO DELL'ACQUA

Lo skimmer è un elemento filtrante che raccoglie l'acqua dalla superficie. L'acqua passa attraverso il cesto dello skimmer, che intrappola le particelle di dimensioni maggiori, mentre le impurità che non possono essere trattene passano nel filtro di cartoccio dove saranno filtrate. Per realizzare l'operazione di filtraggio dell'acqua bisogna seguire i seguenti passi:

- Situare l'interruttore della pompa in posizione OFF (sconnessione) **(fig. 21) (pag. 74)**.
- Situare la valvola selettiva in posizione di filtraggio e le tre vie in posizione skimmer. **(fig. 17) (pag. 73)**.
- Per programmare un filtraggio periodico in modo automatico bisognerà configurare il programmatore come descritto nell'apparato "Programmazione dell'orologio programmatore" di questo manuale. Se desiderate attivare il filtraggio in modo manuale, situate l'interruttore dell'orologio in posizione I **(fig. 20) (pag. 74)** e azionate l'interruttore della pompa posizionandolo su ON (connessione) **(fig. 21) (pag. 74)**.



- Per fermare il filtraggio situare l'interruttore della pompa in posizione OFF (sconnessione) **(fig. 21) (pag. 74)**. Se desiderate lasciare la pompa in posizione di filtraggio automatico periodico, bisognerà lasciare l'interruttore della pompa in posizione ON **(fig. 21) (pag. 74)** e il grilletto dell'orologio in posizione II senza forzarlo **(fig. 20) (pag. 74)**.

## OPERAZIONE: ILLUMINAZIONE DELLA PISCINA

L'attrezzatura da zaino è provvista di un proiettore subacqueo per l'illuminazione della piscina. Per avviarlo o spegnerlo basta attivare il pulsante pneumatico del faretto situato nella parte posteriore della cassa di filtraggio **(fig. 13) (pag. 73)**. Il proiettore è stato progettato per essere utilizzato totalmente sommerso nelle piscine di acqua dolce. Si tratta di un apparato elettrico di classe III con una tensione di sicurezza molto bassa (12 V con corrente alternata). Il proiettore compie con il grado di protezione IPX8 (resistenza alla penetrazione della polvere, ai corpi solidi e all'umidità) con una profondità di immersione nominale di 2 m.

Il proiettore compie con le norme internazionali di sicurezza delle illuminazioni, nello specifico con la normativa EN 60598-2-18. 2: REQUISITI PARTICOLARI SEZIONE 18 ILLUMINAZIONI PER PISCINE E APPLICAZIONI SIMILI.

### MOLTO IMPORTANTE

Non bisogna mai accendere il proiettore subacqueo se questo non è sommerso nell'acqua poiché il faretto subirebbe danni importanti.

## 6. MANUTENZIONE

- Bisogna evitare assolutamente il contatto, anche accidentale, tra la parti in movimento dell'attrezzatura.
- Bisogna aspettare che l'attrezzatura sia completamente spenta per realizzare qualsiasi intervento sulla stessa.
- Bisogna procedere alla realizzazione di qualsiasi intervento di manutenzione elettrica o meccanica, assicurandosi che l'attrezzatura sia stata scollegata dalla rete di alimentazione e che i dispositivi di avviamento siano bloccati.
- Assicurarsi che il suolo sia asciutto prima di toccare l'attrezzatura elettrica.
- Non manipolare l'attrezzatura con i piedi bagnati.

### LAVAGGIO DEL FILTRO

Cuando osservate che la portata impulsata diminuisce bisognerà procedere ad effettuare un lavaggio del filtro. Per effettuare un lavaggio del filtro si proceda come indicato di seguito:

- Situare l'interruttore della pompa in posizione OFF (sconnessione) **(fig. 21) (pag. 74)**.
- Collocare la valvola selettiva in posizione "lavaggio".
- Collegare la pompa durante due o tre minuti. È consigliabile osservare il visore della valvola selettiva per determinare con esattezza la durata del lavaggio.
- Dopo aver terminato le operazioni di lavaggio, fermare la pompa situando l'interruttore in posizione OFF (sconnessione) **(fig. 21) (pag. 74)**.

### PULIZIA DELLA CESTA DELLO SKIMMER

Nella cesta dello skimmer si accumulano le foglie e le particelle che galleggiano sull'acqua. Periodicamente bisognerà pulire la cesta affinché non si ostruisca. Per estrarre la cesta bisogna procedere nel modo seguente:

- Situare l'interruttore della pompa in posizione OFF (sconnessione) **(fig. 21) (pag. 74)**.
- Aprire il coperchio di accesso allo skimmer dell'attrezzatura frontale **(fig. 16) (pag. 73)**.
- Prendere il manico della cesta e girarlo fino a che permetta la sua estrazione verticale **(fig. 25) (pag. 75)**.
- Una volta liberata la cesta dalle foglie e dagli altri elementi bisognerà ricollocarla. Per il suo fissaggio corretto bisognerà girare la cesta dentro al foro fino a che questa non resti bloccata e non possa uscire verticalmente.

### PULIZIA DEL PREFILTRO DELLA POMPA

È conveniente revisionare periodicamente lo stato del prefiltro della pompa per evitare l'otturazione della stessa. Se si nota della sporcizia accumulata bisognerà aprirlo e pulirlo. Per pulire il prefiltro bisogna procedere nel modo seguente:

- Situare l'interruttore della pompa in posizione OFF (sconnessione) **(fig. 21) (pag. 74)**.

- Chiudere la valvola di aspirazione della pompa **(fig. 17) (pag. 73)**.
- Ritirare il coperchio, togliere la cesta del prefiltro per pulirla **(fig. 16) (pag. 73)**
- Riposizionare la cesta. Collocare correttamente la giuntura del coperchio per chiuderlo, assicurandosi che il fondo della giuntura sia pulito.
- Aprire la valvola di aspirazione della pompa.

## MANUTENZIONE DEL PROIETTORE

**ATTENZIONE:** prima di effettuare qualsiasi manipolazione assicurarsi che il proiettore NON riceva tensione. Per assicurarsi **scollegare l'attrezzatura dalla rete di alimentazione.**

Per estrarre il proiettore fino al bordo della piscina bisogna togliere l'anello imbellitore con aiuto di un cacciavite, tramite le quattro fessure dell'anello imbellitore **(fig. 26) (pag. 75)**. Estrarre le viti 6x20 **(nº. 11) (pag. 54) (fig. 27) (pag. 75)**. Estrarre il proiettore fino al bordo della piscina. Smontare il proiettore, togliendo i dadi **(nº. 15) (pag. 54)** che fissano l'anello imbellitore **(nº. 2) (pag. 54)** al complesso schermo e lamiera **(nº. 5) (pag. 54)** per poter accedere alla lampada **(fig. 28 y fig. 29) (pag. 75)**. Tirare la lampada **(nº. 7) (pag. 54) (fig. 30) (pag. 75)** per separarla dal portalampada **(nº. 13) (pag. 54)** e collegarla alla nuova **(fig. 30) (pag. 75)**.

**MOLTO IMPORTANTE:** per cambiare la lampada, **utilizzi sempre il proiettore di cartone e non tocchi mai la lampada nuova con le mani nude.**

Procedera al montaggio del proiettore, in modo inverso a quanto descritto, con l'aiuto di un cacciavite. Non tendere mai il cavo.

### ATTENZIONE

- La lampada nuova deve avere le stesse caratteristiche di quella fornita con il proiettore, 100 W 12 V (AC) alogena.
- Per assicurare una perfetta impermeabilità bisognerà pulire il fondo della giuntura della lente del proiettore **(nº. 4) (pag. 54)** o sostituirla se si notano dei tagli o delle deformazioni permanenti.

## PREPARAZIONE DELL'ATTREZZATURA PER IL PERIODO INVERNALE

È conveniente lasciare l'attrezzatura preparata per il periodo invernale o in caso di spegnimento prolungato. Per questo bisogna procedere nel modo seguente:

- Situare l'interruttore della pompa in posizione OFF (sconnessione) **(fig. 21) (pag. 74)**.
- Svuotare il filtro, la pompa e le tubature dall'acqua.

### ATTENZIONE

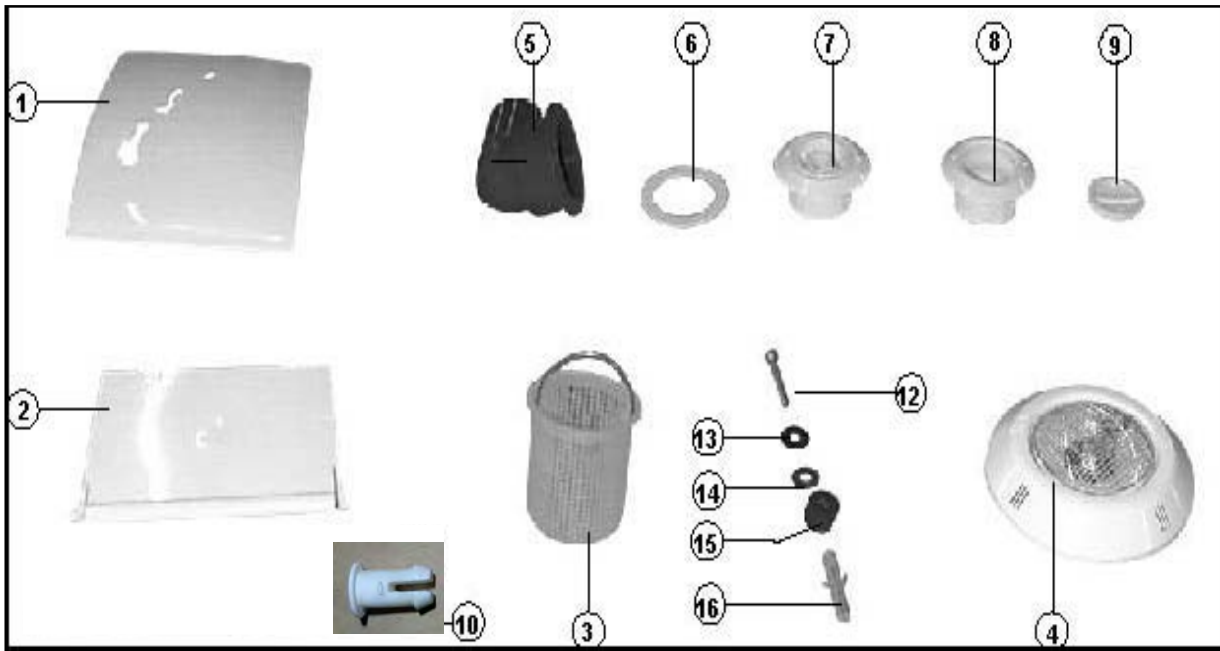
- In caso di possibili gelate della superficie della piscina è raccomandato togliere l'attrezzatura frontale dalla piscina per evitarne la rottura

## 7. POSSIBILI GUASTI

PROBLEMI	MOTIVI	SOLUZIONI
L'attrezzatura non impulsa acqua.	Manca l'alimentazione elettrica.	Controlli il collegamento elettrico e che arrivi corrente alla presa.
	Cattiva regolazione del protettore del motore.	Controlli il consumo della pompa e l'assestamento del proiettore del motore del quadro elettrico.
L'attrezzatura impulsa poca acqua.	Il filtro è sporco	Realizzare un lavaggio del filtro.
	Prefiltro della pompa o dello skimmer otturato.	Pulire il prefiltro della pompa o la cesta dello skimmer.
	Ingresso di aria dalle tubature di aspirazione.	Controllare lo stato dei raccordi e delle giunture del tubo di aspirazione.
	Livello dell'acqua della piscina insufficiente.	Riempire la piscina fino a che il livello dell'acqua copra metà della comporta basculante dello skimmer.
	Voltaggio errato.	Controllare che il voltaggio della rete coincida con quello indicato nella placca delle caratteristiche del motore.
La pompa non è alimentata.	Ingresso d'aria.	Controlli tutti i collegamenti delle tubature e del coperchio della pompa. Riempire il prefiltro della pompa ad acqua.
La cassetta si riempie di acqua.	Non si ha installato lo scarico della cassa.	Installare uno scarico per l'avecuazione dell'acqua dalla cassa.
Svuotando la piscina la cassa di filtraggio si riempie di acqua.	Gli scarichi della pompa e lo scarico residuo sono collegati tra loro.	Modificare l'installazione degli scarichi affinché ognuno abbia la propria tuberia di scarico.
La lampada non illumina	Manca l'alimentazione elettrica.	Controllare che si a collegata correttamente.
	Lampada fusa.	Cambiare la lampada.
	Pulsante pneumatico scollegato.	Controllare che il tubo del pulsante sia collegato correttamente.

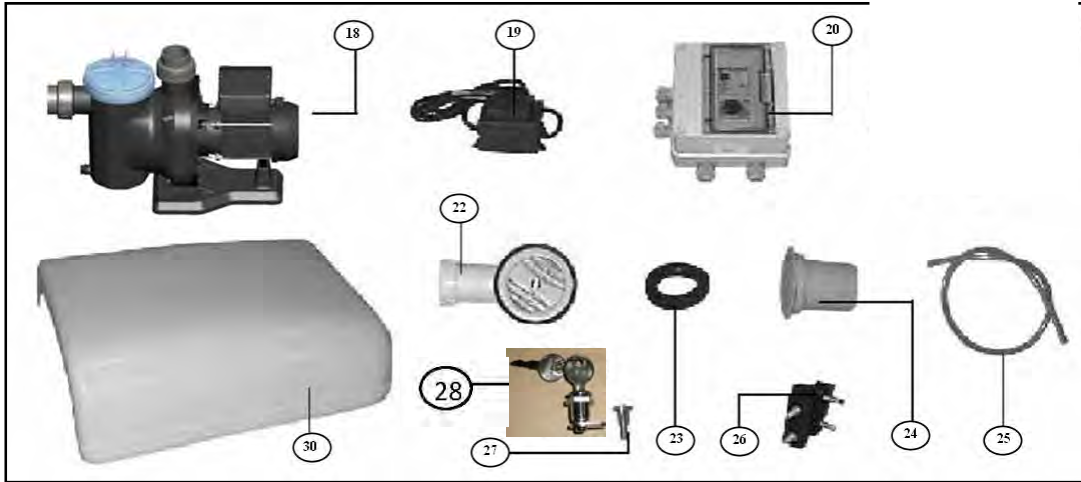
## 8. RICAMBI

### RICAMBI DELL'ATTREZZATURA FRONTALE



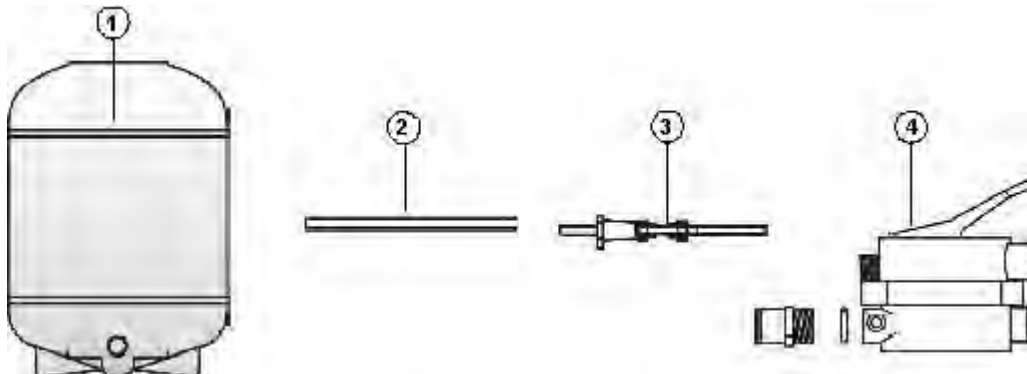
N°	CODICE	DESCRIZIONE	N°	CODICE	DESCRIZIONE
1	22440R0300	Coperchio superiore dello skimmer	9	00300R0002	Tappo di aspirazione
2	05280R0200	Coperchio basculante dello skimmer	10	01353R0012	Clip
3	09096-0140	Cesta	12	70134R08050	Vite inox D8*50 DIN 571
4	00361R	Faretto	13	18546R1304	Giuntura piana 9*25*1,5
5	020408004R	Giuntura bocchettone d'impulsione	14	70139R08000	Rondella inossidabile D8 DIN 9021
7	04035R000	Bocchettone d'impulsione	15	15260R0203	Tassello gomma 9*25*15
8	20888R0200	Adattatore puliscifondi	16	00041R0104	Tassello Fisher N°10

## RICAMBI DELLA CASSA DI FILTRAGGIO



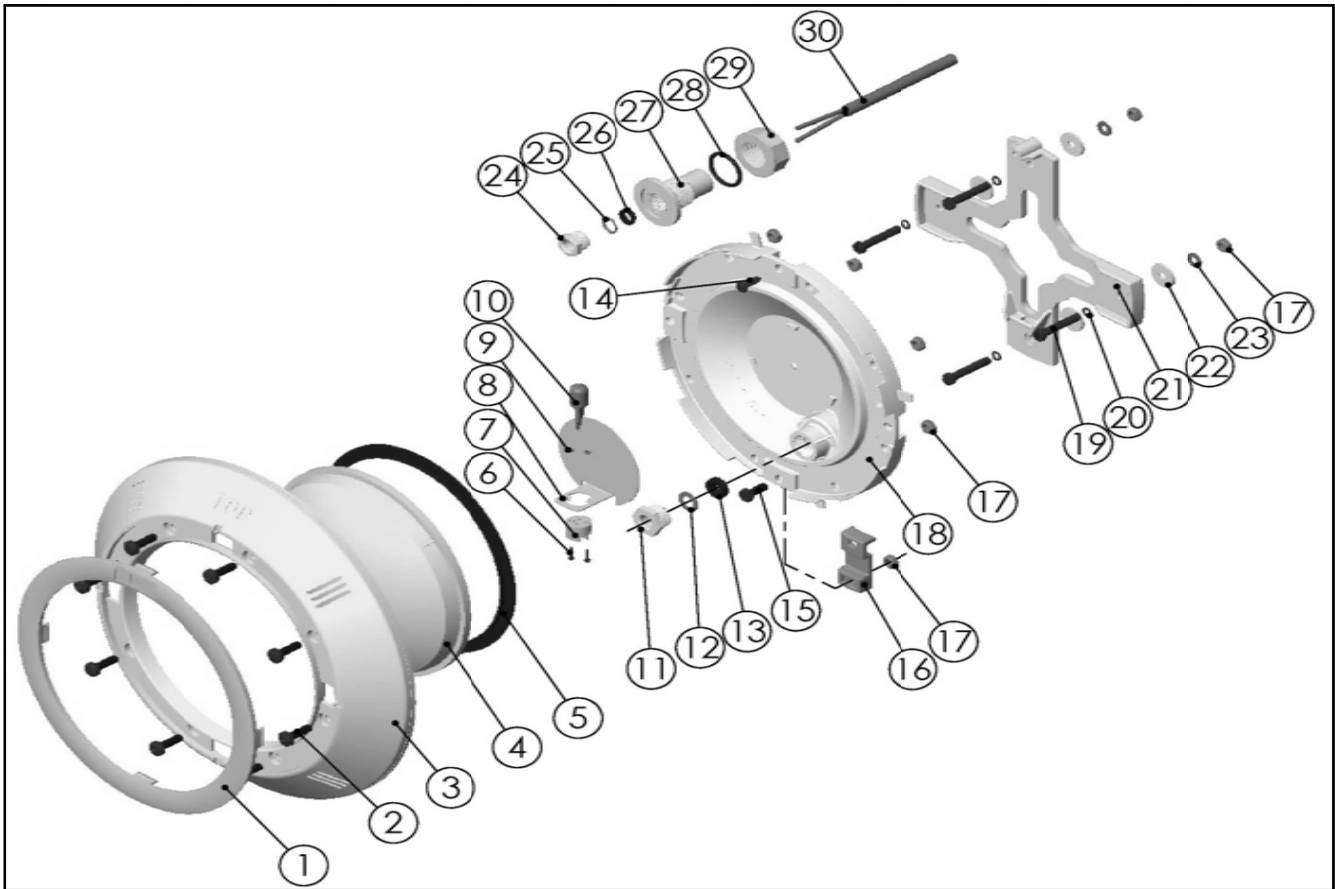
N°	CODICE	DESCRIZIONE	N°	CODICE	DESCRIZIONE
18	25463	Pompa Sena 3/4 c.v monofasica	25	00241R0404	Tubo di plastica
19	18546R2242 /	Trasformatore	26	00621R0201	Cerniera
20	22440R2243	Cassa elettrica (opzione faretto)	27	7013208020	Vite inox M8X20 DIN 7985
22	031311001	Scarico cassetta jimten	28	22440R4000	Complesso serratura
23	00615R0102	Giuntura passatubi D.50	30	22440R0500	Coperchio superiore posteriore
24	04048R0100	Pulsante pneumatico			

## RICAMBI DEL FILTRO



N°	CODICE	DESCRIZIONE	N°	CODICE	DESCRIZIONE
1	154050001S	Botte filtro ø 500	3	24182R0003	Staffa
2	720R1750057	Giuntura coperchio	4	21442R	Valvola Top 6 vie

# RICAMBI DEL PROIETTORE



N°	CODICE	DESCRIZIONE	N°	CODICE	DESCRIZIONE
1	18042R0001	Anello imbellitore	10	00346R0011	Giuntura premistoppa
2	18042R0002	Imbellitore proiettore	11	7013206020	Vite DIN 7985 A2 M6x20
3	00373	Lente trasparente	12	00346R0102	Preso multipla in ceramica
4	00346R0004	Giuntura lente proiettore	13	00346R0103	Portalampane
5	00346R0100	Complesso schermo e lamiera	14	00346R0007	Cavo H07 RN-F 2x1
6	00346R0014	Agggetto supporto proiettore piano	15	7012106000	Dado DIN 934 A2 M-6
7	00371	Lámpara halógena 12V 100W	16	00346R0013	Gancio di fissaggio
8	00346R0010	Dado premistoppa PG-11	17	7010106016	Vite DIN 933 A2 M6x16
9	00346R0012	Randella premistoppa 16,5x10,5x1,5			

**CONTENUTO BORSA**

N°	CODICE	DESCRIZIONE	QUA.	N°	CODICE	DESCRIZIONE	QUA.
18	00346R0005	Rondella premistoppa PG-9	1	24	7011448016	Vite DIN 7981 A2 4,8x16	1
19	00346R0009	Rondella premistoppa D.10	1	25	7010506035	Vite DIN 84 A2 M6x35	4
20	00346R0006	Junta premistoppa 13x9,6x4 PG-9	1	26	7230050015	Giuntura torica 5x1,5	4
21	00346R0015	Corpo passamuri	1	27	00361R0001	Giuntura piana 20x6x2	4
22	7230195030	Giuntura torica 19,5x3	1	28	7011906000	Rondella DIN 125 A2 M-6	4
23	00361R0101	Dado passamuri	1	29	7012106000	Rondella DIN 934 A2 M-6	4

**IMPORTANTE:** este manual de instruções contém informação fundamental sobre as medidas de segurança a adoptar na instalação e colocação em funcionamento. Por isso, é imprescindível que tanto o instalador como o utilizador leiam as instruções antes de iniciarem a montagem e a colocação em funcionamento.

- No que se refere à instalação eléctrica deve seguir-se a norma

Directiva Europeia 2006/95/CE de aparelhos de baixa tensão,  
EN 60335-2-41, segurança em aparelhos electrodomésticos e análogos, requisitos particulares para bombas

Assim como as normas aplicáveis “à construção de instalações eléctricas em locais especiais. Piscinas e fontes”, ou a normas análogas, vigentes em cada região ou país.

- A instalação eléctrica deve ser realizada por profissionais qualificados em instalações eléctricas. Este aparelho não se destina a pessoas com capacidades físicas, sensoriais ou mentais reduzidas ou sem experiência, salvo se tiverem tido supervisão ou instruções acerca da sua utilização por um responsável de segurança.
- A altura da areia não deve ultrapassar os 2/3 da altura do depósito.
- Não deixe o aparelho ligado quando estiver a utilizar a piscina.
- Não faça o aparelho funcionar sem estar correctamente purgado.
- NUNCA toque no aparelho em funcionamento com o corpo ou as mãos húmidas.
- Quando tiver de manipular o aparelho ou a válvula, DESLIGUE-O da tomada.
- Assegure-se de que o chão está seco antes de tocar no equipamento eléctrico.
- Não permita que crianças ou adultos se apoiem ou se sentem no aparelho. As crianças devem ser mantidas sob vigilância para assegurar que não brincam com o equipamento.
- O aparelho deve ser ligado a uma tomada de 230 V de corrente alterna e 50 Hz, com ligação à terra, protegida com um interruptor diferencial (RCD) com uma corrente de funcionamento residual que não exceda os 30 mA.
- É imprescindível utilizar um dispositivo de desconexão múltiplo com uma separação mínima de 3 mm entre contactos para desligar o filtro da alimentação eléctrica.
- Este equipamento deve ser instalado em piscinas com uma profundidade máxima de 1,5 m.
- Os equipamentos referidos neste manual foram concebidos para trabalhar com águas limpas de piscina com temperaturas que não ultrapassem os 35 °C. A sua utilização com qualquer outro tipo de águas não foi prevista.
- Qualquer modificação que se pretenda efectuar no equipamento requer a autorização prévia do fabricante. As peças sobresselentes originais e os acessórios autorizados pelo fabricante servem para garantir uma maior segurança. O fabricante do equipamento fica isento de qualquer responsabilidade relativamente aos danos provocados por peças sobresselentes não autorizadas.
- Durante o funcionamento, algumas partes do equipamento estão a tensões eléctricas perigosas. O trabalho realizado sobre cada elemento ou nos equipamentos ligados a eles só se poderá realizar depois de terem sido desligados da rede eléctrica de alimentação e depois de se terem desligado os dispositivos de arranque.
- No caso de funcionamento defeituoso ou avaria, contacte o Serviço de Assistência Técnica do fabricante ou a representação do fabricante mais próxima.
- A esse respeito, devem cumprir-se as normas UNE 20-460-93, Parte 7-702: INSTALAÇÕES ELÉCTRICAS EM EDIFÍCIOS. INSTALAÇÕES ESPECIAIS PARA PISCINAS.
- A tampa da caixa de filtração deve estar SEMPRE fechada com os fechos fechados à chave.



## 1. VERIFIQUE O CONTEÚDO DA EMBALAGEM

A embalagem do equipamento de mochila Combo é composta por 1 caixa com os seguintes elementos: **(fig. 1) (pág. 71)**

- a. Equipamento frontal
- b. 2 parafusos DIN 571 M8 x 50 com as respectivas anilhas e buchas para betão
- c. 2 borrachas amortecedoras
- d. Caixa do equipamento de filtração
- e. Tubo de descarga da caixa de filtração

## 2. CARACTERÍSTICAS GERAIS

O equipamento de mochila Combo é um sistema de filtração da água da piscina composto por 2 elementos básicos: um equipamento frontal para montar na parede da piscina e um equipamento de filtração que contém a bomba, o filtro e o quadro eléctrico. Esses elementos unem-se entre si através de 3 condutas e 1 cabo eléctrico.

### Descrição de componentes (fig. 2, 3 e 3.1) (pág. 71)

- 1 Corpo do equipamento frontal
- 2 Projector. Apenas no modelo 22440
- 3 Tampa de acesso ao skimmer
- 4 Tampa basculante do skimmer
- 5 Ligação para mangueira do limpador de fundos
- 6 Boquilha para a impulsão da água filtrada
- 7 Corpo da caixa de filtração
- 8 Tampa superior da caixa
- 9 Bomba
- 10 Filtro
- 11 Válvula selectora
- 12 Quadro eléctrico
- 13 Transformador
- 14 Prensa-estopas cabo projector
- 15 Botão pneumático
- 16 Fechadura
- 17 Válvula aspiração

O sistema de mochila pode realizar quatro funções integradas num só equipamento:

- Filtração da água da piscina
- Possibilidade de montar um limpador de fundos
- Esvaziamento da piscina
- Iluminação da piscina. Apenas no modelo 22440.

A vantagem de utilizar um equipamento de mochila é que a instalação necessária se reduz consideravelmente. Só é necessária uma tomada de alimentação eléctrica e dois tubos de descarga. O equipamento de filtração de mochila cumpre os requisitos da norma: UNE 20-460-93. O fabricante não se responsabiliza em nenhum caso pela montagem, instalação ou colocação em funcionamento ou por qualquer manipulação ou incorporação de componentes eléctricos que não tenham sido realizados nas suas instalações.

## 3. INSTALAÇÃO E MONTAGEM

No que se refere à instalação eléctrica deve seguir-se a norma:

Directiva Europeia 2006/95/CE de aparelhos de baixa tensão,

EN 60335-2-41, segurança em aparelhos electrodomésticos e análogos, requisitos particulares para bombas

Assim como as normas aplicáveis “à construção de instalações eléctricas em locais especiais. Piscinas e fontes”, ou a normas análogas, vigentes em cada região ou país.

- Este equipamento deve ser instalado em piscinas com uma profundidade máxima de 1,5 m.
- Não coloque o equipamento submerso ou onde possa ficar submerso.
- Recomenda-se não perfurar a caixa de filtração, dado que a água contida no terreno pode penetrar em qualquer orifício que ficar enterrado.

Para realizar a instalação, siga os passos seguintes:

## INSTALAÇÃO DO EQUIPAMENTO FRONTAL DO COMBO

- Coloque o Combo na posição mais adequada, tendo em conta a direcção do vento dominante.
- O equipamento frontal do Combo deve ser colocado na zona onde se acumulará a sujidade (folhas e outras partículas flutuantes), ou seja, deve ser montado centrado na parede situada contra a direcção do vento dominante (**fig. 4**) (**pág. 71**).
- Depois de determinar a posição adequada para o equipamento frontal, deve preparar-se a parede para realizar a instalação.
  - Se a piscina for de construção nova, deve ter-se a precaução de deixar o coroamento nas condições que se especificam no esquema de instalação.
  - Se, pelo contrário, a instalação for realizada numa piscina com a construção já completa, será necessário extrair parte do coroamento para deixá-lo com as seguintes especificações: Deve deixar-se uma parte da parede da piscina sem coroamento (82 cm) para se poder incorporar o equipamento frontal. O nível da água da piscina deve cobrir metade da comporta basculante do skimmer (recomenda-se que haja uma distância aproximada de 12 cm entre o nível da água e a base de apoio do equipamento frontal, (**fig. 5**) (**pág. 71 e esquema de instalação**).
- A superfície sobre a qual descansará o equipamento deve ser totalmente horizontal e plana para que o equipamento fique perfeitamente alinhado com a parede.
- Coloque o equipamento frontal do Combo no vão do coroamento, apoiando-o na parede da piscina e alinhando-o verticalmente. Na parte superior da parede marque os pontos onde deverá efectuar os furos para fixar o equipamento (**fig. 6**) (**pág. 71**).
  - **Nota:** o equipamento frontal deve ficar apoiado nos calços de borracha.
- Retire o equipamento frontal da parede e faça os 2 furos para as buchas fornecidas. Limpe a superfície, coloque as buchas e as borrachas amortecedoras fornecidas e torne a colocar o equipamento frontal na posição final. Prenda-o com os parafusos DIN 571 M8 x 50 e as respectivas anilhas fornecidas (**fig. 6**) (**pág. 71**).

## INSTALAÇÃO DA CAIXA DE FILTRAÇÃO

**IMPORTANTE:** a instalação do equipamento de mochila **deve cumprir os requisitos das diversas normas vigentes. Devem seguir-se as dimensões apresentadas no esquema de instalação (fig. 5) (pág. 71).**

- A caixa de filtração deve ser colocada montada directamente no equipamento frontal (**fig. 7**) (**pág. 72**). Ao unir os dois equipamentos, estes devem ficar dispostos de modo que a tampa basculante da caixa de filtração caia sobre o equipamento frontal, fechando-o. Para poder instalar os equipamentos montados, a parede da piscina não pode ter uma espessura superior a 22 cm. Marque sobre o terreno a zona onde se colocará a caixa de filtração (**fig. 5**) (**pág. 71**) (**ver o esquema de instalação**).
- Para facilitar a ligação do tubo de descarga e das restantes condutas, deve escavar-se um buraco deixando um espaço de 15 a 25 cm à volta de toda a caixa de filtração para facilitar a ligação dos tubos de descarga e o enchimento posterior (**ver o esquema de instalação**).
- Faça um buraco com uma profundidade mínima de 90 cm. Devem também abrir-se as valas necessárias para o abastecimento de água, para os tubos de descarga e para a potência eléctrica até à posição da caixa de filtração, conforme se indica no **esquema de instalação (fig. 7) (pág. 72)**.
- Antes de depositar a caixa deve instalar-se o tudo de descarga inferior no orifício da base da caixa, extraíndo previamente o tampão vermelho (**fig. 8**) (**pág. 72**). É extremamente importante instalar o tubo de descarga já que, caso contrário, a caixa poderá encher-se de água e de terra que se introduzirão por esse orifício, com o correspondente risco para os equipamentos.

### IMPORTANTE

- Por motivos de transporte, a caixa de filtração é entregue com o tubo de descarga do filtro desmontado. É imprescindível ligá-lo com a união de três peças antes de realizar a ligação exterior (**fig. 9**) (**pág. 72**).
- Nivelar a base da escavação e calçar a caixa para evitar que esta se apoie no tubo de descarga inferior. Depositar a caixa no fundo, verificando se a parte superior fica alinhada com o terreno (**fig. 10**) (**pág. 72**).

### MUITO IMPORTANTE

- **Ligar o tubo de descarga do filtro e o tubo de descarga por gravidade separadamente.** Os dois tubos de descarga não se podem unir, já que quando se realizar a operação de esvaziamento da piscina, por vasos comunicantes, a água poderia penetrar pela base da caixa e inundá-la. Utilizar Ø 50 para o tubo de descarga da bomba e Ø 32 para o tubo de descarga por gravidade (**fig. 11**) (**pág. 72**).

## LIGAÇÃO DO EQUIPAMENTO FRONTAL COM A CAIXA DE FILTRAÇÃO

- As entradas e saídas dos dois corpos devem ficar alinhadas e de frente umas para as outras.
- Para unir as duas partes do equipamento, una as saídas e as entradas do equipamento frontal e da caixa de filtração. A configuração do equipamento permite um leve desvio entre as tubagens. Deve usar-se cola para tubagens de PVC (não fornecida).
  - O equipamento está preparado para ser montado numa piscina com parede de 22 cm. Caso tenha uma dimensão inferior, as tubagens devem ser cortadas para se adaptarem às novas dimensões.

## LIGAÇÃO DOS ELEMENTOS ELÉCTRICOS

- Verifique **se a ligação à terra da instalação é correcta.**
- A instalação eléctrica deve ser realizada por profissionais qualificados em instalações eléctricas. Este aparelho não se destina a pessoas com capacidades físicas, sensoriais ou mentais reduzidas ou sem experiência, salvo se tiverem tido supervisão ou instruções acerca da sua utilização por um responsável de segurança.
- O aparelho deve ser ligado a uma tomada de 230 V de corrente alterna e 50 Hz, com ligação à terra, protegida com um interruptor diferencial (RCD) com uma corrente de funcionamento residual que não exceda os 30 mA.
- É imprescindível utilizar um dispositivo de desconexão múltiplo com uma separação mínima de 3 mm entre contactos para desligar o filtro da alimentação eléctrica.

- Introduzir o cabo de alimentação eléctrica (não fornecido) no prensa-estopas posterior da caixa de filtração. Recomenda-se utilizar o cabo H07-RNF de três fios e secção de 1,5 mm<sup>2</sup>. Passar o cabo contornando os equipamentos até chegar ao quadro eléctrico. Abrir o quadro eléctrico, passar o cabo pelo prensa-estopas do mesmo com o distintivo 230 V e prender os três terminais às tiras de ligação identificadas com as etiquetas N, L e T (ligação à terra), como se indica na **fig. 14 (pág. 73)**.
- Introduzir o cabo proveniente do equipamento frontal (cabo do projector) no prensa-estopas frontal da caixa de filtração (**pág. 71**) (**posição 14, fig. 3**) e ligá-lo à tira de ligação do quadro eléctrico com o distintivo 12 V destinada a esse fim (**fig. 12**) (**pág. 72**).

**MUITO IMPORTANTE: ao realizar a ligação de alimentação, assegure-se de que o projector não fica aceso sem estar mergulhado na água. Se isso ocorrer, apague-o imediatamente com o botão pneumático (fig. 13) (pág. 73).**

- Encher de areia os espaços à volta da caixa, compactando a areia até ao nível do solo.

## 4. COLOCAÇÃO EM FUNCIONAMENTO

- Não se deve colocar a bomba em funcionamento sem estar purgada.
- Não se deve iniciar o funcionamento da operação de filtração se o nível da água não chegar a cobrir parte da tampa basculante do skimmer.
- Nunca se deve ligar o projector subaquático caso este não esteja mergulhado na água.

Para colocar o equipamento de filtração em funcionamento, realize os passos seguintes:

- Assegure-se de que a válvula de aspiração está fechada (fig. 17, posição A).
- Desaperte todas as uniões de três peças da válvula selectora (**fig. 15**) (**pág. 73**).
- Retire a válvula selectora e a junta, tentando não danificar a junta.
- Encha-o cuidadosamente de água até meio.
- Encha o filtro de areia: para obter o máximo rendimento do filtro, recomenda-se utilizar areia com granulometria de 0,4 a 0,8 mm. Até uma altura aproximada de 2/3 do filtro.
- Tape a tubagem de D.50 com um saco e deite no seu interior a quantidade de areia indicada acima, tendo o cuidado de não danificar os colectores.
- Coloque a válvula selectora e a junta correspondente, eliminando previamente a areia e os resíduos da zona de fecho.

- Assegure-se de que o nível da água da piscina seja suficiente para cobrir metade da tampa basculante do skimmer (**fig. 5**) (**pág. 71**).
- A bomba nunca deve trabalhar sem água já que, caso contrário, danificaria a junta mecânica produzindo perdas de água.
- Verifique se todas as ligações da instalação estão correctas e se estão bem firmes.
- Antes de colocar o equipamento a funcionar pela primeira vez, deverá ferrar a bomba. Para isso, retire a tampa do pré-filtro e encha-o de água (**fig. 16**) (**pág. 73**). Feche novamente a tampa do pré-filtro.
- Assegure-se de que tanto a tampa do filtro como a do pré-filtro da bomba estão bem fechadas. Abra as válvulas de aspiração (fig. 17, posição A).
- Coloque a válvula selectora na posição LAVAGEM (**fig. 17**) (**pág. 73**).
- Coloque o interruptor do relógio na posição I (**fig. 21**) ou o **selector de funcionamento na posição manual** (**fig. 15**) (**pág. 73**). Coloque o interruptor de protecção da bomba do quadro eléctrico na posição I (ligado) (**fig. 21**) (**pág. 74**).
- Proceda à lavagem da areia (**ver a secção 6**) (**pág. 61**).
- Para parar o equipamento, coloque o interruptor da bomba na posição OFF (desligado) (**fig. 15**) (**pág. 73**).
- Coloque a válvula selectora na posição FILTRAÇÃO (**fig. 17**) (**pág. 73**).

## PROGRAMAÇÃO DO RELÓGIO-PROGRAMADOR

- O quadro eléctrico dispõe de um relógio-programador que permite automatizar os tempos de filtração, a colocação em funcionamento e a paragem do equipamento. Para programar esta função, siga os passos seguintes (podem variar em função do modelo do relógio):
- Verifique se o interruptor da bomba está na posição OFF (desligado) (**fig. 21**) (**pág. 74**).
- Acertar a hora: retire a tampa transparente do relógio. Rode a esfera interior do relógio no sentido dos ponteiros do relógio até alinhar a hora actual com a seta (triângulo) da base (**fig. 22**) (**pág. 74**).
- Configuração do período de funcionamento: o relógio dispõe de 48 pestanas, cada uma equivale a meia hora. As pestanas podem estar levantadas (paragem) ou pressionadas (funcionamento). Configure o período de funcionamento deixando pressionadas as pestanas que desejar (**fig. 23**) (**pág. 74**). Recomenda-se configurar um período de filtração diário de 8 horas (16 pestanas).
- Activação do funcionamento automático: o relógio-programador dispõe de um interruptor com duas posições, I e II. A posição I activa o funcionamento da bomba de forma manual. Pelo contrário, a posição II faz com que o funcionamento e a paragem da bomba sejam regulados pelas pestanas do relógio (**fig. 20**) (**pág. 74**). **NOTA:** não force o gatilho do relógio ao tentar colocá-lo na posição II, já que se a pestana horária activa estiver pressionada, o gatilho estará orientado para a posição I.
- Volte a colocar a tampa transparente do relógio.

## 5. FUNCIONAMENTO

- Nunca calque a tampa da caixa de filtração nem o equipamento frontal.
- A tampa da caixa de filtração deve estar SEMPRE fechada com os fechos fechados à chave.
- Não permita que crianças nem adultos manipulem nem se sentem em cima dos elementos do equipamento.
- Nunca use o equipamento frontal como trampolim para saltar para a piscina.
- Não use o equipamento frontal como suporte para sair da piscina.
- Mantenha o espaço do skimmer (onde está situado o cesto) livre de objectos.
- Mantenha os cestos do skimmer e do pré-filtro da bomba limpos.

### OPERAÇÃO: FILTRAÇÃO DA ÁGUA

O skimmer é o elemento filtrante que recolhe a água da superfície. A água passa pelo cesto do skimmer e as partículas de maior tamanho ficam retidas no cesto. As impurezas que não possam ser retidas passam para o cartucho filtrante onde serão filtradas. Para realizar a operação de filtração da água siga os passos seguintes:

- Coloque o interruptor da bomba na posição OFF (desligado) **(fig. 21) (pág. 74)**.
- Coloque a válvula selectora na posição de filtração e a de três vias na posição skimmer. **(fig. 17) (pág. 73)**.
- Para programar uma filtração periódica de forma automática, configure o programador como se descreve na secção “Programação do relógio-programador” deste manual. Se desejar activar a filtração de forma manual, coloque o interruptor do relógio na posição I **(fig. 20) (pág. 74)** e accione o interruptor da bomba colocando-o na posição ON (ligado) **(fig. 21) (pág. 70)**.
- Para parar a filtração, coloque o interruptor da bomba na posição OFF (desligado) **(fig. 21) (pág. 70)**. Se desejar deixar a bomba na posição de filtração automática periódica, deverá deixar o interruptor da bomba na posição ON **(fig. 21) (pág. 74)** e o gatilho do relógio na posição II sem forçar **(fig. 20) (pág. 74)**.

## OPERAÇÃO: ILUMINAÇÃO DA PISCINA

O equipamento de mochila dispõe de um projector subaquático para a iluminação da piscina. Para ligá-lo ou desligá-lo basta activar o interruptor pneumático do projector situado na parte posterior da caixa de filtração **(fig. 13) (pág. 73)**. O projector foi desenhado para ser usado totalmente submerso em piscinas de água doce. Trata-se de um aparelho eléctrico de classe III com uma tensão de segurança muito baixa (12 V com corrente alterna). O projector cumpre o grau de protecção IPX8 (resistência à penetração de pó, aos corpos sólidos e à humidade) com uma profundidade de imersão nominal de 2 m.

O projector cumpre as normas internacionais de segurança de aparelhos de iluminação, em especial a norma EN 60598-2-18. 2: REQUISITOS PARTICULARES SECÇÃO 18 APARELHOS DE ILUMINAÇÃO PARA PISCINAS E APLICAÇÕES SIMILARES.

### MUITO IMPORTANTE

Nunca se deve acender o projector subaquático se este não estiver submerso na água, já que o foco sofreria danos importantes.

## 6. MANUTENÇÃO

- Deve evitar-se completamente o contacto, mesmo accidental, com as partes em movimento do equipamento.
- Deve aguardar-se que a máquina esteja totalmente parada para realizar qualquer intervenção no equipamento.
- Antes de realizar qualquer intervenção de manutenção eléctrica ou mecânica, assegure-se que a máquina foi desligada da rede de alimentação e que os dispositivos de colocação em funcionamento estão bloqueados.
- Assegure-se de que o chão está seco antes de tocar no equipamento eléctrico.
- Não manipule o equipamento com os pés molhados.

### LAVAGEM DO FILTRO

Quando se observar que o caudal impellido diminui, deve fazer-se uma limpeza do filtro. Para efectuar a lavagem do filtro, proceda da seguinte forma:

- Coloque o interruptor da bomba na posição OFF (desligado) **(fig. 21) (pág. 74)**.
- Coloque a válvula selectora na posição “lavagem”.
- Ligue a bomba durante dois ou três minutos. Não obstante, é aconselhável observar o visor da válvula selectora para determinar com exactidão a duração da lavagem.
- Ao terminar a operação de lavagem, desligue a bomba colocando o interruptor da bomba na posição OFF (desligado) **(fig. 21) (pág. 74)**.

### LIMPEZA DO CESTO DO SKIMMER

No cesto do skimmer vão-se acumulando folhas e outras partículas que bóiam na água. É necessário limpar o cesto periodicamente para evitar a sua obstrução. Para extrair o cesto siga os passos seguintes:

- Coloque o interruptor da bomba na posição OFF (desligado) **(fig. 21) (pág. 74)**.
- Abra a tampa de acesso ao skimmer do equipamento frontal **(fig. 16) (pág. 73)**.
- Rode a asa do cesto até encontrar a posição que permita extrai-lo na vertical **(fig. 25) (pág. 75)**.
- Depois de eliminar do cesto as folhas e restantes elementos, torne a colocá-lo. Para fixar o cesto

correctamente, rode-o dentro do seu encaixe até ficar travado e que não seja possível extrair-lo na vertical.

## LIMPEZA DO PRÉ-FILTRO DA BOMBA

É conveniente verificar periodicamente o estado do pré-filtro da bomba para evitar obstruções. Se se observar que há sujidade acumulada, deve-se abri-lo e limpá-lo. Para limpar o pré-filtro siga os passos seguintes:

- Coloque o interruptor da bomba na posição OFF (desligado) **(fig. 21) (pág. 74)**.
- Feche a válvula de aspiração da bomba **(fig. 17) (pág. 73)**.
- Retire a tampa e extraia o cesto do pré-filtro para limpá-lo. **(fig. 16) (pág. 73)**.
- Coloque o cesto novamente na sua posição. Coloque correctamente a junta da tampa para fechá-la, assegurando-se de que o suporte da junta está limpo.
- Abra a válvula de aspiração da bomba.

## MANUTENÇÃO DO PROJECTOR

**ATENÇÃO:** antes de qualquer manipulação, assegure-se de que o projector NÃO recebe tensão. Para isso, **desligue o equipamento da rede de alimentação**.

Para extrair o projector até à beira da piscina, deve retirar-se o anel decorativo com a ajuda de uma chave de parafusos, através das quatro ranhuras do aro decorativo **(fig. 26) (pág. 75)**. Retire os parafusos 6 x 20 **(nº 11) (pág. 66)**, **(fig. 27) (pág. 75)**. Extraia o projector até à beira da piscina. Desmonte o projector, retirando as porcas **(nº 15) (pág. 31)** que fixam o aro decorativo **(nº 2) (pág. 66)** ao conjunto quebra-luz e platina **(nº 5) (pág. 66)** para poder ter acesso à lâmpada **(fig. 28 e fig. 29) (pág. 75)**. Puxe a lâmpada **(nº 7) (pág. 66) (fig. 30) (pág. 75)** para separá-la do casquilho **(nº 13) (pág. 66)** e substitua-a **(fig. 30) (pág. 75)**.

**MUITO IMPORTANTE:** para substituir a lâmpada, **utilize sempre o protector de cartão e nunca toque na lâmpada nova com as mãos desprotegidas**.

Proceda à montagem do projector de modo inverso ao descrito, com a ajuda de uma chave de parafusos. Nunca estique o cabo.

### ATENÇÃO

- A lâmpada nova deve ter as mesmas características que a fornecida com o projector, 100 W 12 V (CA) de halogéneo.
- Para assegurar uma perfeita estanquidade, deve limpar-se o suporte da junta lente projector **(nº 4) (pág. 66)** ou então substituir a junta caso se observe que existe alguma fenda ou deformação permanente.

## PREPARAÇÃO DO EQUIPAMENTO PARA O PERÍODO DE INVERNO

É conveniente deixar o equipamento preparado para o período de inverno ou para um período longo fora de funcionamento. Para isso, realize as seguintes operações:

- Coloque o interruptor da bomba na posição OFF (desligado) **(fig. 21) (pág. 74)**.
- Esvazie o filtro, a bomba e as tubagens de água.

### ATENÇÃO

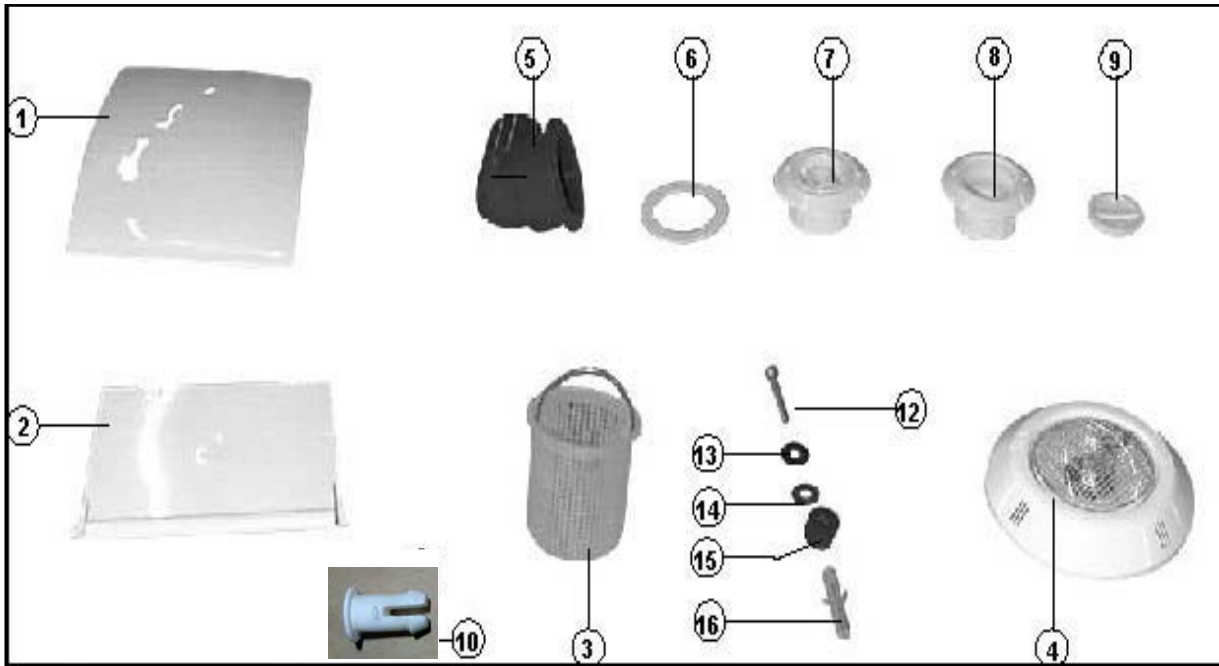
- Em caso de possíveis geadas na superfície da piscina, recomenda-se retirar o equipamento frontal da piscina para evitar rupturas.

## 7. POSSÍVEIS AVARIAS

PROBLEMAS	CAUSAS	SOLUÇÕES
O equipamento não impulsiona água.	Falta de alimentação eléctrica.	Verifique a ligação eléctrica e se chega corrente à tomada.
	Protector do motor mal regulado.	Verifique o consumo da bomba e ajuste o protector do motor do quadro eléctrico.
O equipamento impulsiona pouca água.	O filtro está sujo.	Efectue a lavagem do filtro.
	Pré-filtro da bomba ou do skimmer obturado.	Limpe o pré-filtro da bomba ou o cesto do skimmer.
	Entrada de ar pela tubagem de aspiração.	Verifique o estado das peças de ligação e das juntas do tubo de aspiração.
	Nível insuficiente da água da piscina.	Encha a piscina até que o nível da água cubra metade da comporta basculante do skimmer.
	Tensão incorrecta.	Verifique se a tensão da rede coincide com a indicada na placa de características do motor.
A bomba não pode ser ferrada.	Entrada de ar.	Verifique todas as uniões das tubagens e a tampa da bomba. Encha o pré-filtro da bomba de água.
A câmara enche-se de água.	O tubo de descarga da caixa não foi instalado.	Instale um tubo de descarga para a evacuação da água da caixa.
Ao esvaziar a piscina, a caixa de filtração enche-se de água.	Os tubos de descarga da bomba e o tubo de descarga de resíduos estão unidos entre si.	Modifique a instalação dos tubos de descarga para que cada um tenha a sua própria tubagem de evacuação.
A lâmpada não se acende.	Falta de alimentação eléctrica.	Verifique se está ligada correctamente.
	Lâmpada fundida.	Substitua a lâmpada.
	Botão pneumático desligado.	Verifique se o tubo do botão está ligado correctamente.

## 8. PEÇAS SOBRESSELENTES

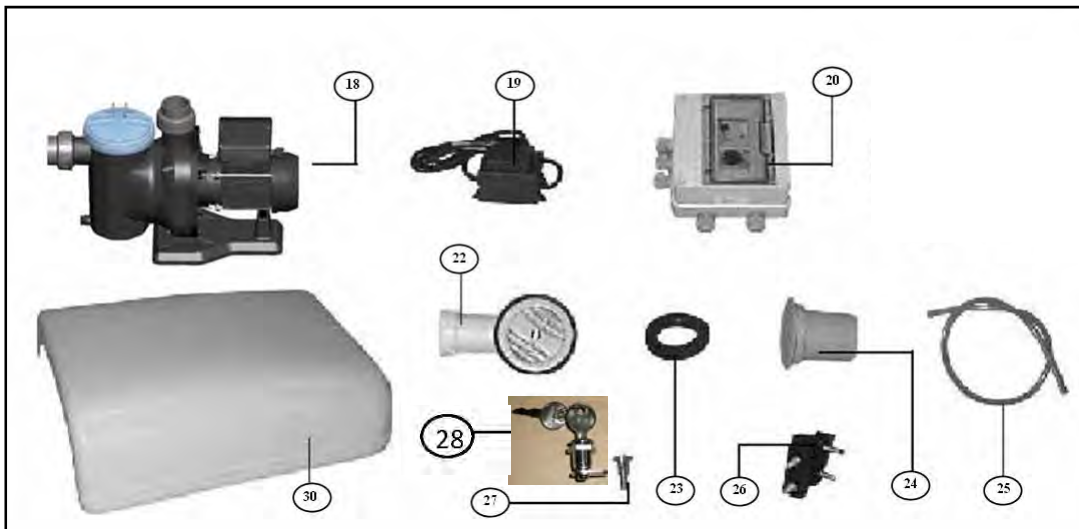
### PEÇAS SOBRESSELENTES DO EQUIPAMENTO FRONTAL



Nº	CÓDIGO	DESCRIÇÃO	Nº	CÓDIGO	DESCRIÇÃO
1	22440R0300	Tampa superior skimmer	9	00300R0002	Tampão aspiração
2	05280R0200	Tampa basculante do skimmer	10	01353R0012	Clipe
3	09096-0140	Cesto	12	70134R08050	Parafuso inoxidável D8*50 DIN 571
4	00361R	Projector	13	18546R1304	Bucha borracha 9*25*1,5
5	020408004R	Curva boquilha impulsão	14	70139R08000	Anilha inoxidável D8 DIN 9021
7	04035R000	Boquilha impulsão	15	15260R0203	Bucha borracha 9*25*15
8	20888R0200	Adaptador limpador de fundos	16	00041R0104	Bucha Fisher Nº 10

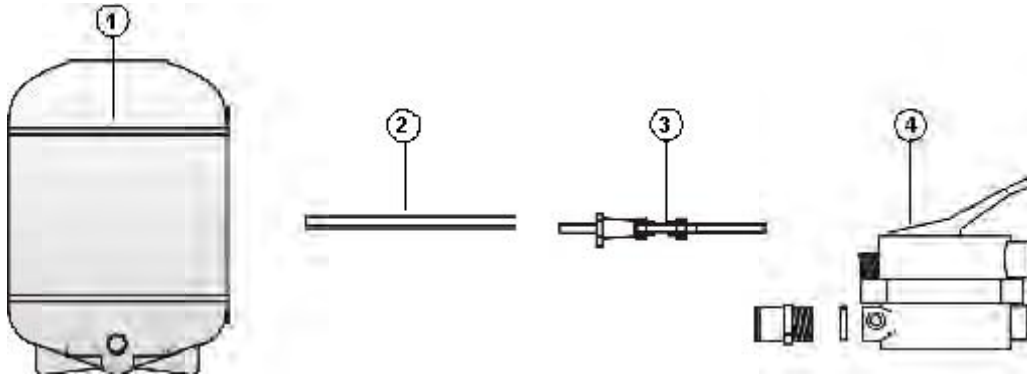


## PEÇAS SOBRESSELENTES DA CAIXA DE FILTRAÇÃO



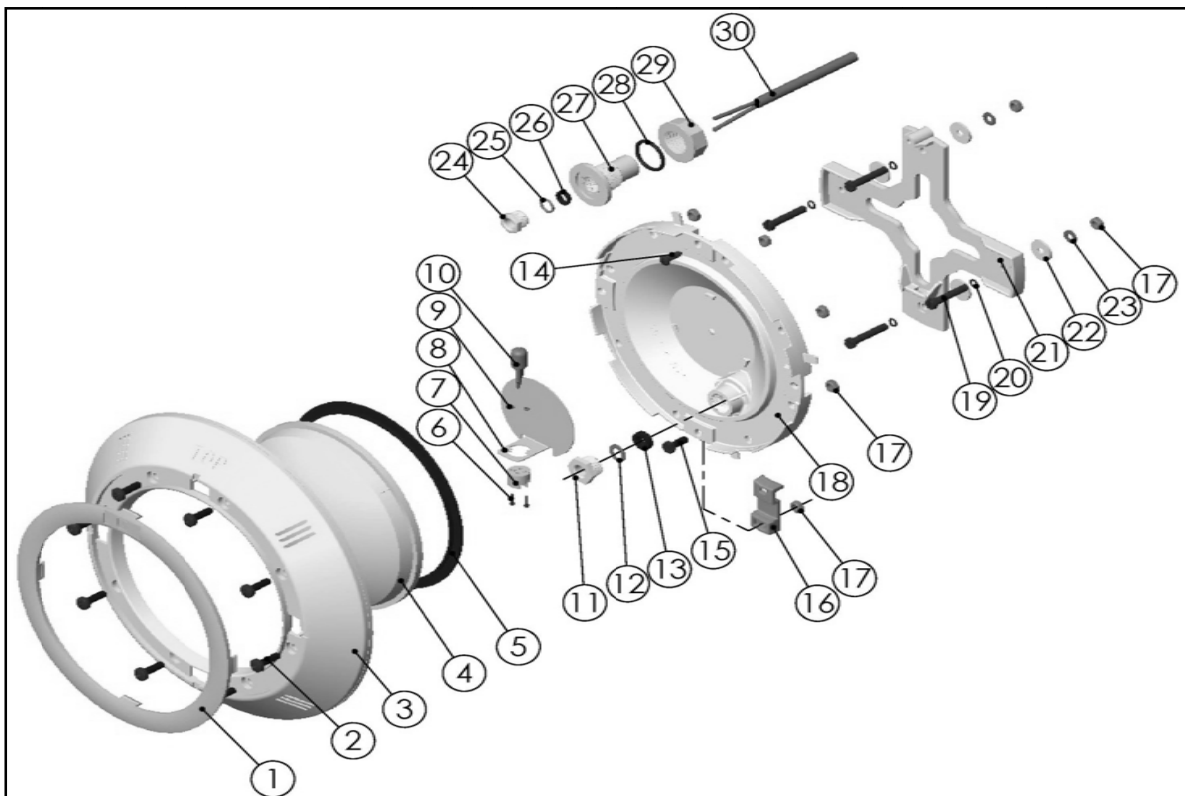
Nº	CÓDIGO	DESCRIÇÃO	Nº	CÓDIGO	DESCRIÇÃO
18	25463	Bomba Sena 3/4 c.v monofásica	25	00241R0404	Tubo plástico
19	18546R2242 /	Transformador	26	00621R0201	Gonzo
20	22440R2243	Caixa eléctrica (opção projector)	27	7013208020	Parafuso inoxidável M8X20 DIN 7985
22	031311001	Tubo de descarga câmara jimten	28	22440R4000	Conjunto fechadura
23	00615R0102	Junta passa-tubos D.50	30	22440R0500	Tampa superior traseira
24	04048R0100	Botão pneumático			

## PEÇAS SOBRESSELENTES DO FILTRO



Nº	CÓDIGO	DESCRIÇÃO	Nº	CÓDIGO	DESCRIÇÃO
1	154050001S	Cuba filtro ø 500	3	24182R0003	Braçadeira filtro
2	720R1750057	O-ring tampa	4	21442R	Válvula top 6 vias

## PEÇAS SOBRESSELENTES DO PROJECTOR



Nº	CÓDIGO	DESCRIÇÃO	Nº	CÓDIGO	DESCRIÇÃO
1	18042R0001	Anel decorativo	10	00346R0011	Junta prensa-estopas
2	18042R0002	Aro decorativo	11	7013206020	Parafuso DIN 7985 A2 M6 x 20
3	00373	Lente transparente	12	00346R0102	Tira de ligação cerâmica
4	00346R0004	Junta lente projector	13	00346R0103	Casquilho
5	00346R0100	Conjunto ecrã e platina	14	00346R0007	Cabo H07 RN-F 2x1
6	00346R0014	Cruzeta suporte projector plano	15	7012106000	Porca DIN 934 A2 M-6
7	00371	Lâmpada de halogéneo 12 V 100 W	16	00346R0013	Gancho fixação
8	00346R0010	Porca prensa-estopas PG-11	17	7010106016	Parafuso DIN 933 A2 M6 x 16
9	00346R0012	Anilha prensa-estopas 16,5 x 10,5 x 1,5			

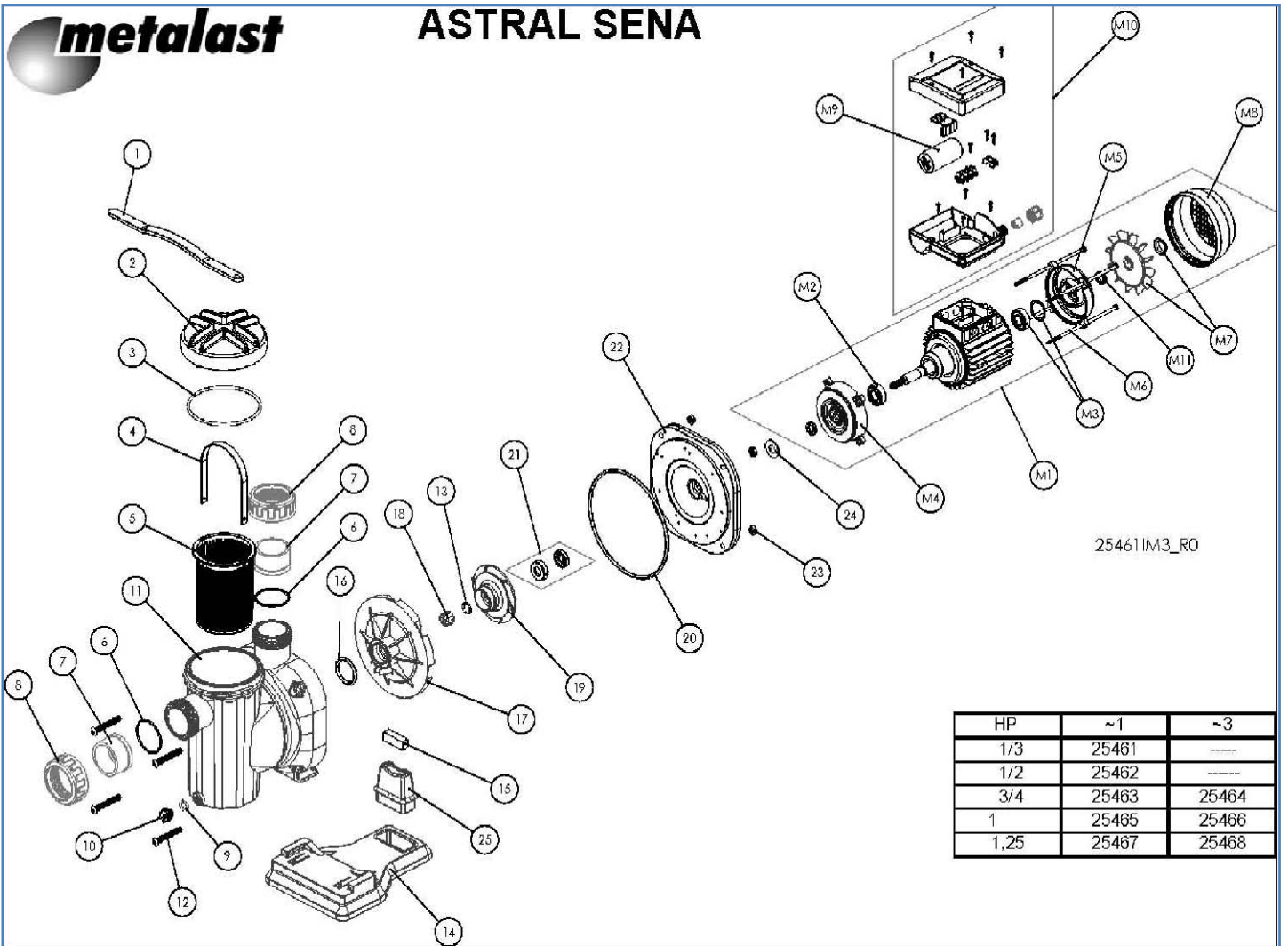
**CONTEÚDO  
BOLSA**

Nº	CÓDIGO	DESCRIÇÃO	QTD	Nº	CÓDIGO	DESCRIÇÃO	QTD
18	00346R0005	Porca prensa-estopas PG-9	1	24	7011448016	Parafuso DIN 7981 A2 4,8 x 16	1
19	00346R0009	Anilha prensa-estopas D.10	1	25	7010506035	Parafuso DIN 84 A2 M6 x 35	4
20	00346R0006	Junta prensa estopas 13 x 9,6 x 4 PG-9	1	26	7230050015	Junta tórica 5 x 1,5	4
21	00346R0015	Corpo do isolador de passagem	1	27	00361R0001	Junta plana 20 x 6 x 2	4
22	7230195030	Junta tórica 19,5 x 3	1	28	7011906000	Anilha DIN 125 A2 M-6	4
23	00361R0101	Porca do isolador de passagem	1	29	7012106000	Porca DIN 934 A2 M-6	4

RECAMBIOS BOMBA



ASTRAL SENA



HP	~1	~3
1/3	25461	---
1/2	25462	---
3/4	25463	25464
1	25465	25466
1,25	25467	25468

**Bombas Astral Sena (22440 230V 50 Hz)**

de 1/3 a 1,25 CV ( de 25461 a 25468 )

Pos. Item	Cant. Qty.	Descripción / Description	Código/code
1	1	Llave tapa prefiltro	24561R0022
2	1	Tapa prefiltro	25461R0102
3	1	Junta tórica 118x 4 mm NBR 50 Shores A	77AR1180040
4	1	Asa Cesto Bacap	24561R0205
5	1	Cesto Bacap	24561R0202
6	2	Junta Tórica 54x2.5mm NBR 70 Shores	773R0540025
7	2	Manguito enlace D.50 Gris	02176R
8	2	Tuerca Manguito Gris	02193R
9	1	Junta tórica tapón Purga	72301R30025
10	1	Tapón Purga	19028R0103
11	1	Cuerpo bomba Bacap	25461R0203
12	4	Tornillo M8 x 60 mm DIN 7985 A4	70229R08060
13	1	Junta tórica 16x2 mm	773R0160020
14	1	Pie Bacap	25461R0502
15	1	Silen-Block 45x13x16 mm ( 1/3, 1/2 CV )	15238R0004
15	1	Silen-Block 45x13x5 mm ( 3/4, 1, 1.25cv )	27455R0100
16	1	Junta tórica 38x5mm NBR 70 ShA	773R0380050
17	1	Difusor Bacap	25463R0003
18	1	Tapón Rodete M10 (monofásicos)	05090R0011
18	1	Tapón Rodete M8 Izq. (trifásicos)	20598R0011
19	1	Rodete Bacap 0,33 CV 50 Hz	25461R0400
19	1	Rodete Bacap 0,5 CV 50 Hz	25462R0400
19	1	Rodete Bacap 0,75 CV 50 Hz	25463R0400
19	1	Rodete Bacap 1 CV 50 Hz	25465R0400
19	1	Rodete Bacap 1,25 CV 50 Hz	25467R0400
20	1	Junta tórica 180x5 mm NBR 50 ShA	77AR1800050
21	1	Junta mecánica D.15	25461R9601
22	1	Brida Motor C. 63 Bacap	25461R0004
22	1	Brida Motor C. 71 Bacap	25463R0004
23	4	Tuercas M8 DIN-934	70121R08000
24	1	Arandela Deflectora D.15	20597R0203
25	1	Torraeta pie BACAP EU	25461R0503
M1	1	Motor 0.33 Cv (II)	25461-0475
M1	1	Motor 0.5 Cv (II)	25462-0475
M1	1	Motor 0.75 Cv (II)	25463-0475
M1	1	Motor 0.75 Cv (III)	25464-0475
M1	1	Motor 1 Cv (II)	25465-0475
M1	1	Motor 1 Cv (III)	25466-0475
M1	1	Motor 1.25 Cv (II)	25467-0475

## Bombas Astral Sena (22440 230V 50 Hz)

de 1/3 a 1,25 CV ( de 25461 a 25468 )

Pos. Item	Cant. Qty.	Descripción / Description	Código/code
M1	1	Motor 1.25 Cv (III)	25468-0475
M2	1	rodamiento 6202 tipo 2RS C.63-71	20597R0110
M3	1	Conj. rodamiento 6202 tipo 2RS C.63-71 + arandela	20597R0111
M4	1	Brida mec. C63 sena negra 1/3, 1/2 HP ]	25461R0103
M4	1	Brida mec. C71 sena negra [ 3/4, 1, 1.25 HP ]	25463R0103
M5	1	Tapa motor mec. C63 c/cajara D35 [ 1/3, 1/2 HP ]	20597R0104
M5	1	tapa motor mec. C71 c/cajara D35 [ 3/4, 1, 1.25 HP ]	20599R0104
M6	4	Tornillo M5x160 mm	25461R0109
M6	4	Tornillo M5x168 mm	25463R0109
M7	1	ventilador C63 c/anilla eje D15	20597R0105
M7	1	ventilador C71 c/anilla eje D15	20599R0105
M8	1	Tapa ventilador C63 plastico negra D15	20597R0106
M8	1	Tapa ventilador C71 plastico negra D15	20599R0106
M9	1	Condensador 12uF [ 1/3, 1/2 HP ]	16119R0109
M9	1	Condensador 14uF [ 3/4HP ]	15746R0109
M9	1	Condensador 16uF [ 1, 1.25 HP ]	15747R0109
M10	1	Conjunto caja bornes C63-C71 II	05091R0108
M10	1	Conjunto caja bornes C.63-71 III	20600R0108
M11	2	Junta en V-ring	20597R0477



Fig. 1

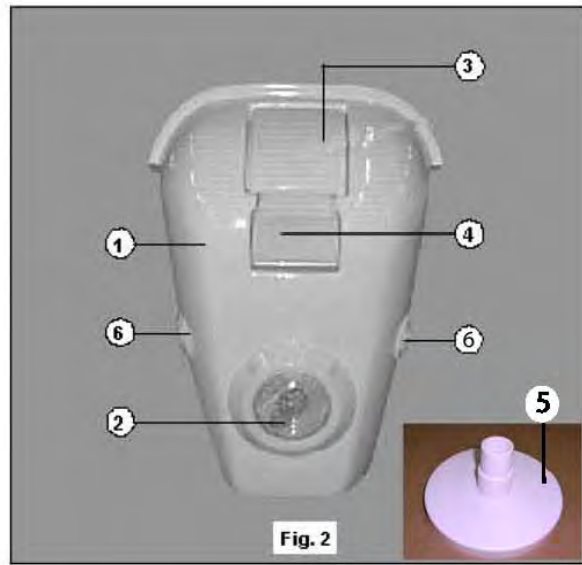


Fig. 2



Fig. 3

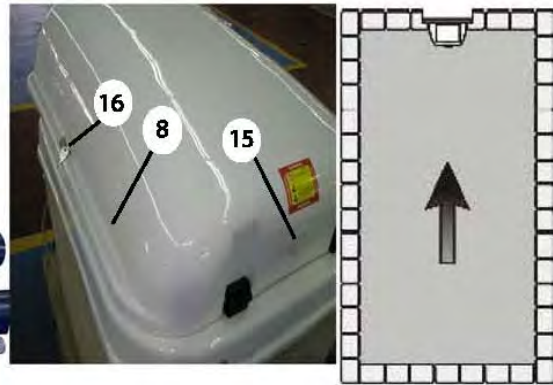


Fig. 3.1

Fig. 4

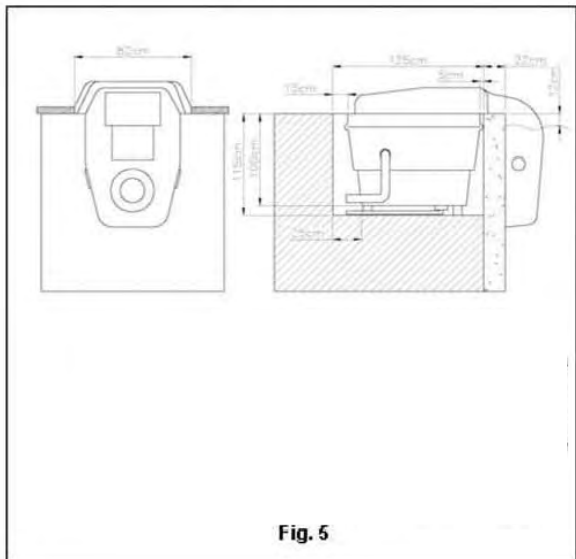
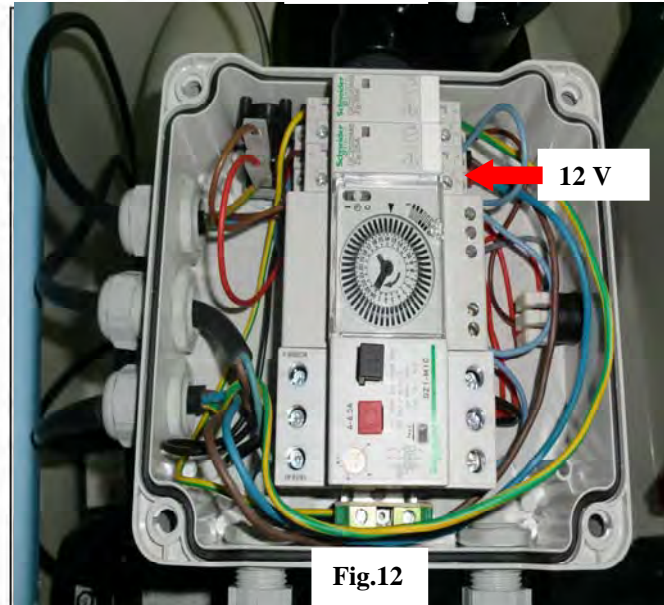
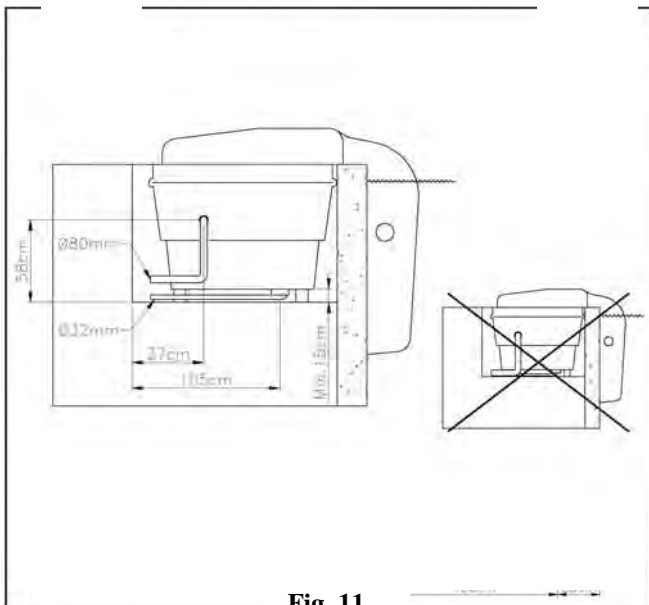
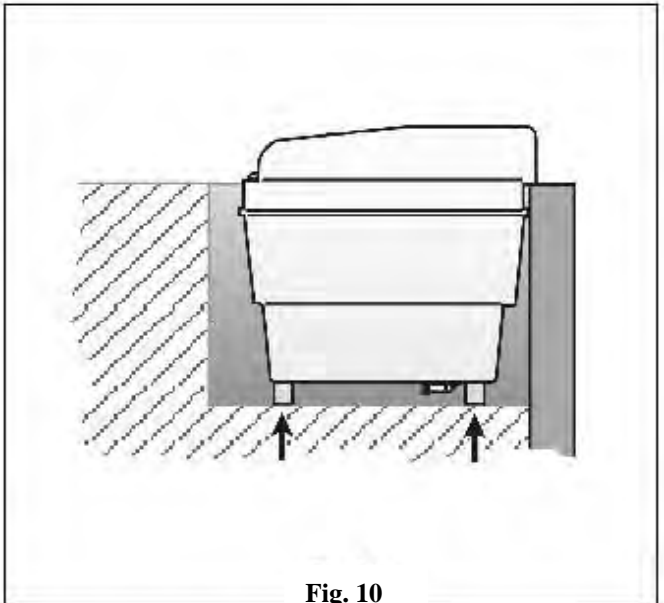
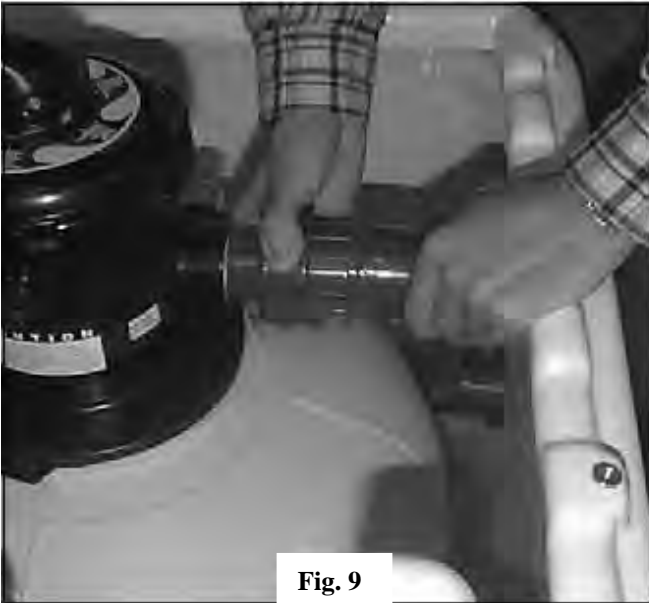
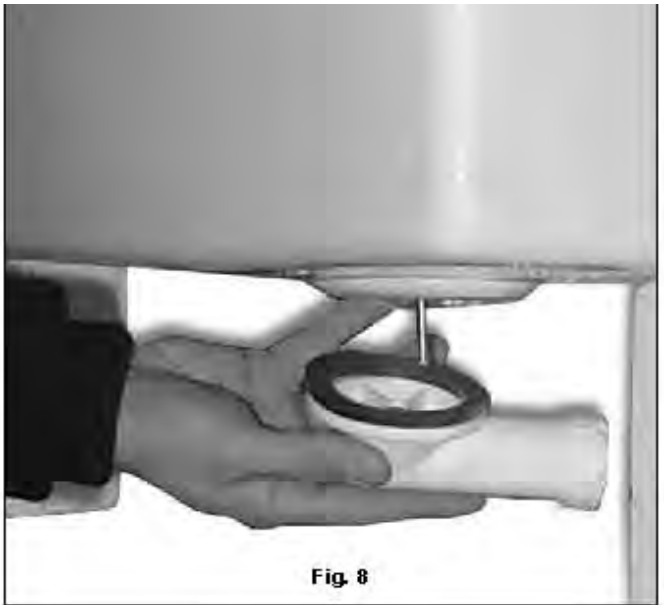
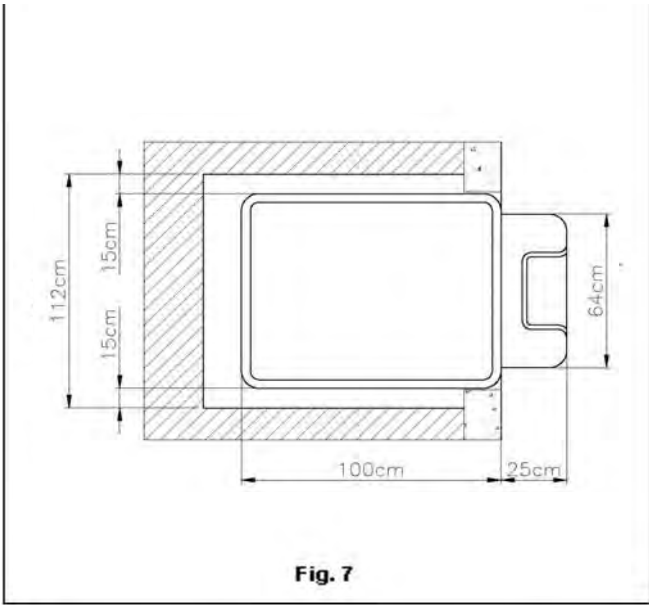


Fig. 5



Fig. 6







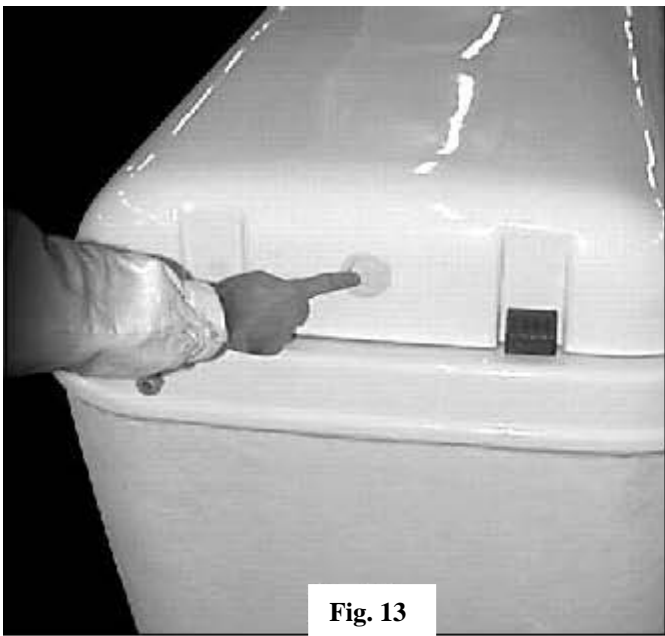


Fig. 13

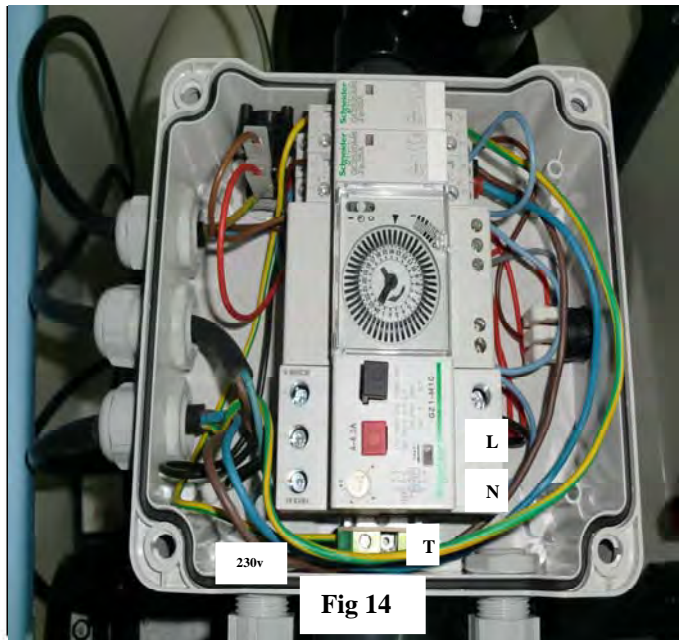


Fig. 14

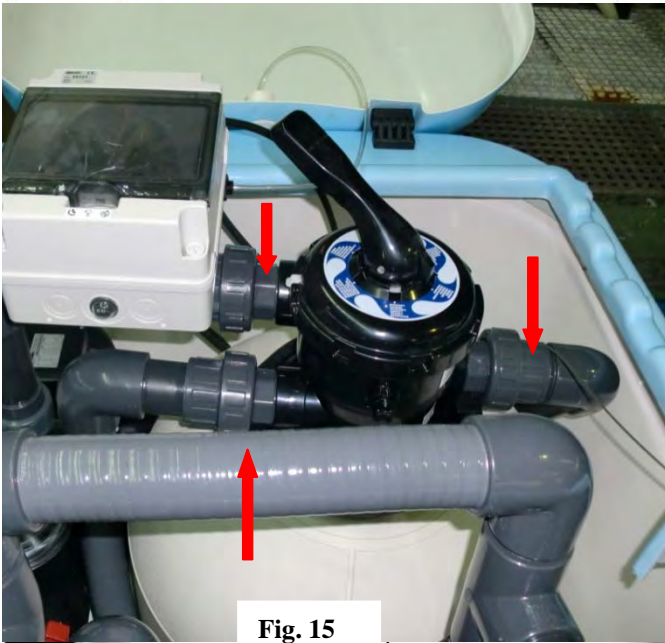


Fig. 15

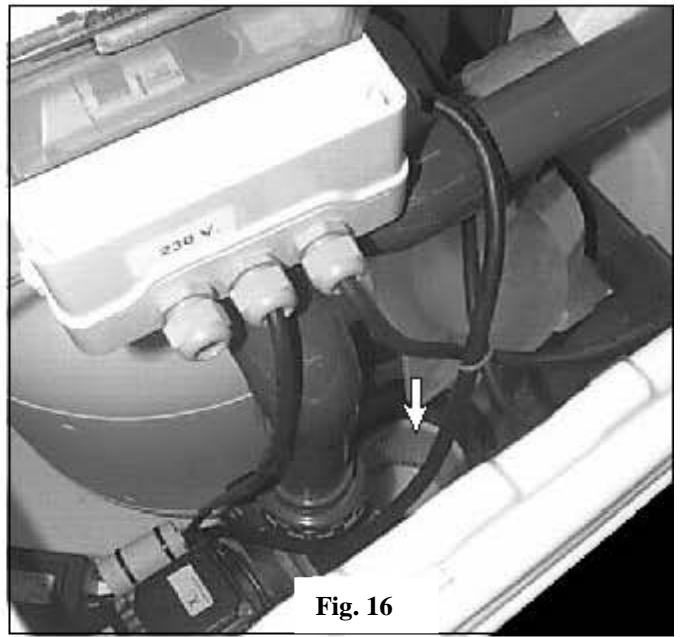


Fig. 16

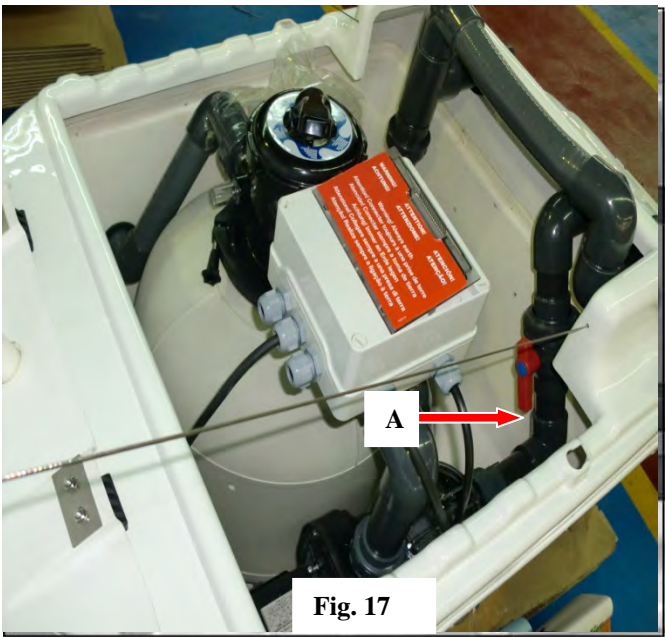


Fig. 17

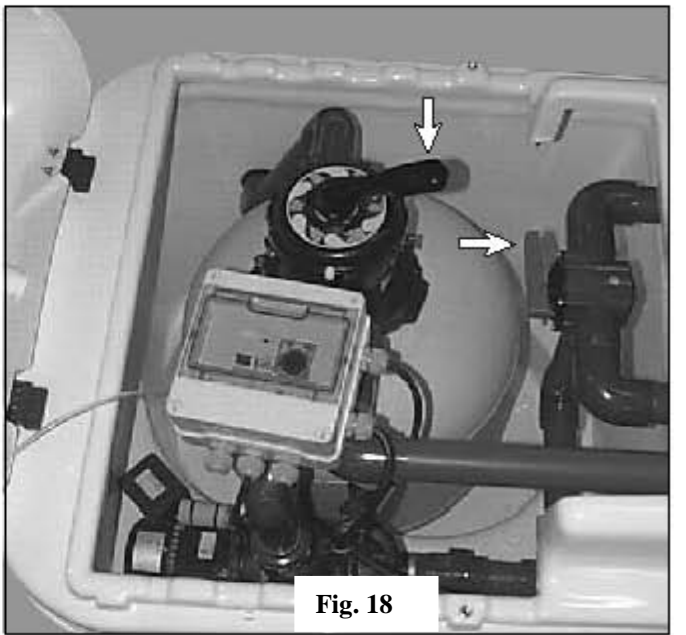


Fig. 18

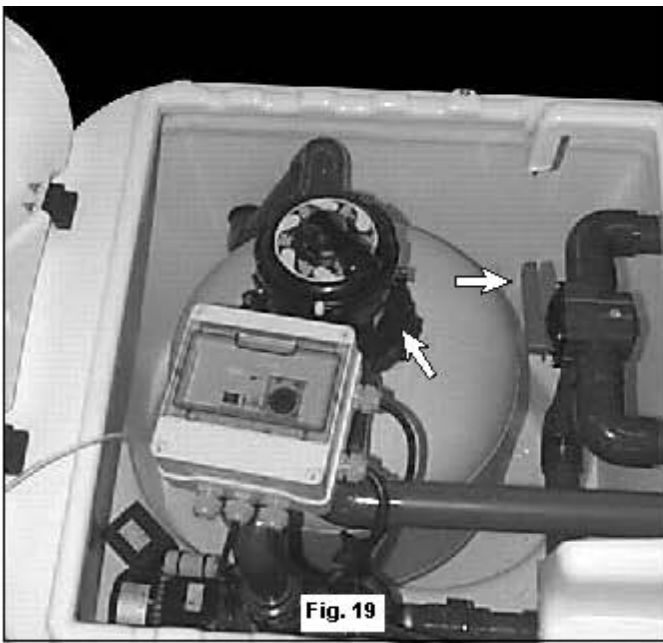


Fig. 19

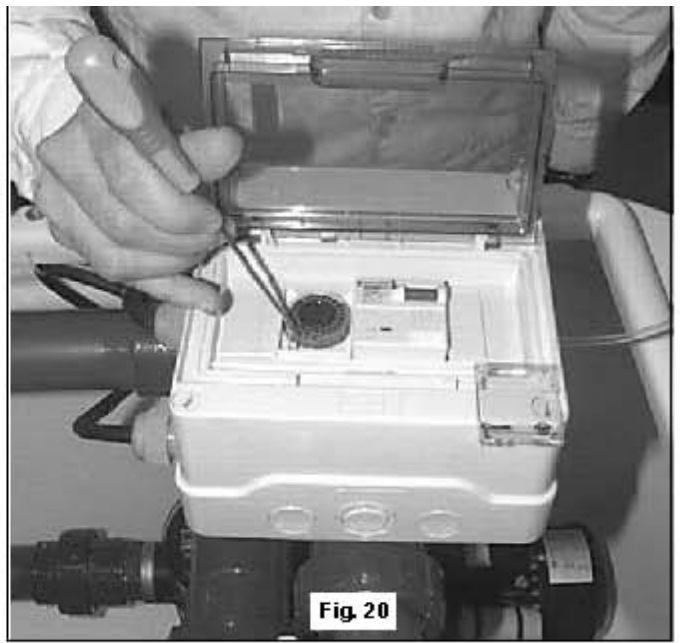


Fig. 20

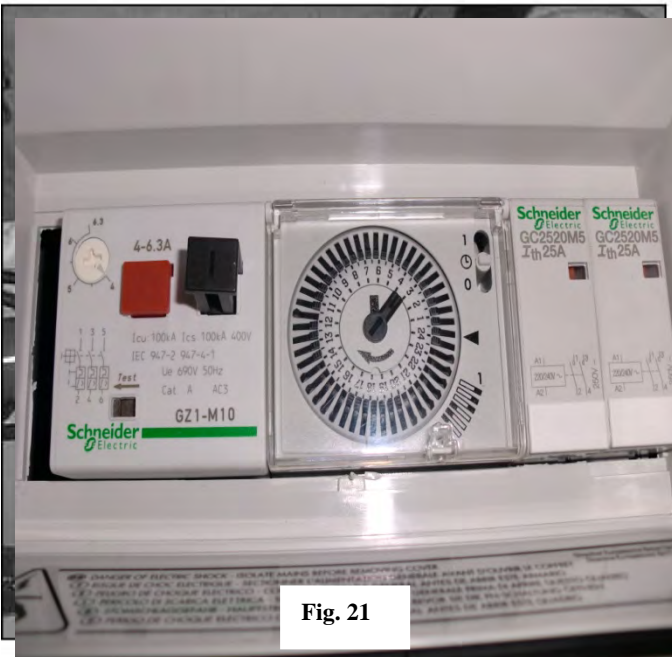


Fig. 21

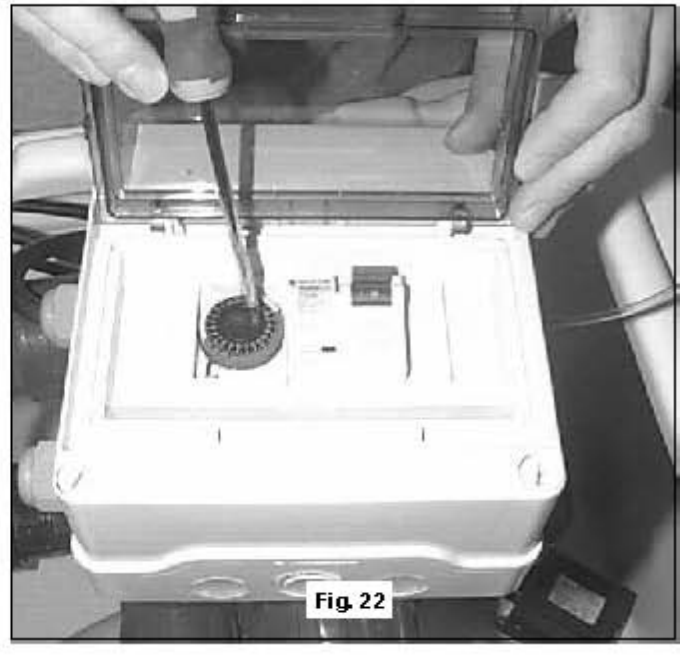


Fig. 22

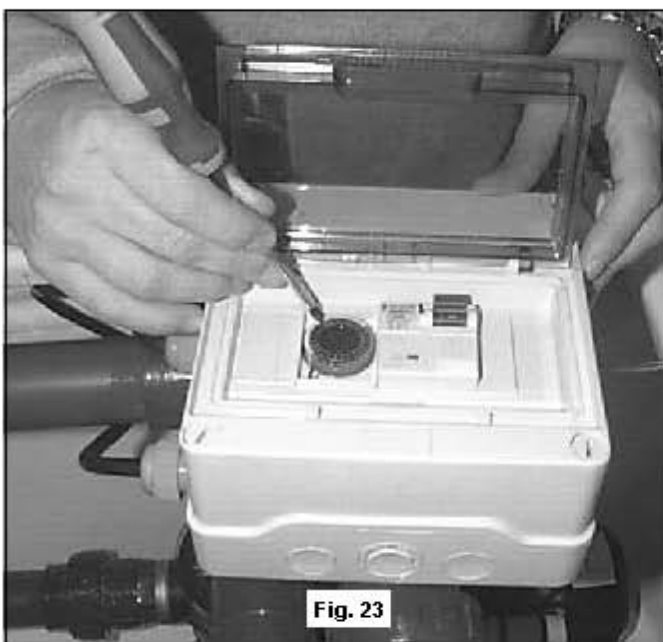


Fig. 23

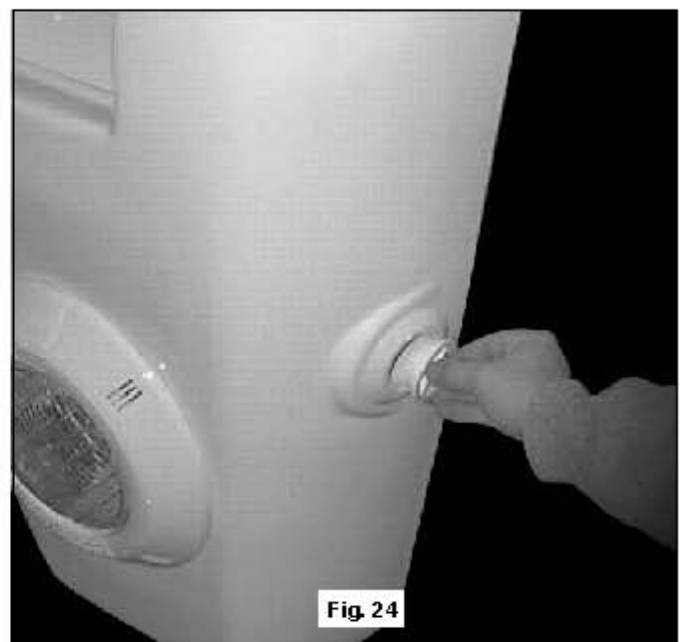


Fig. 24





Fig. 25

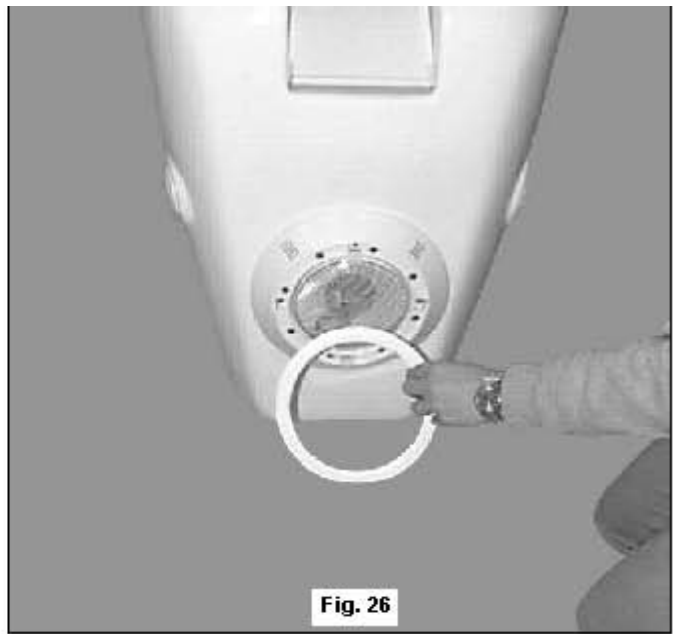


Fig. 26



Fig. 27

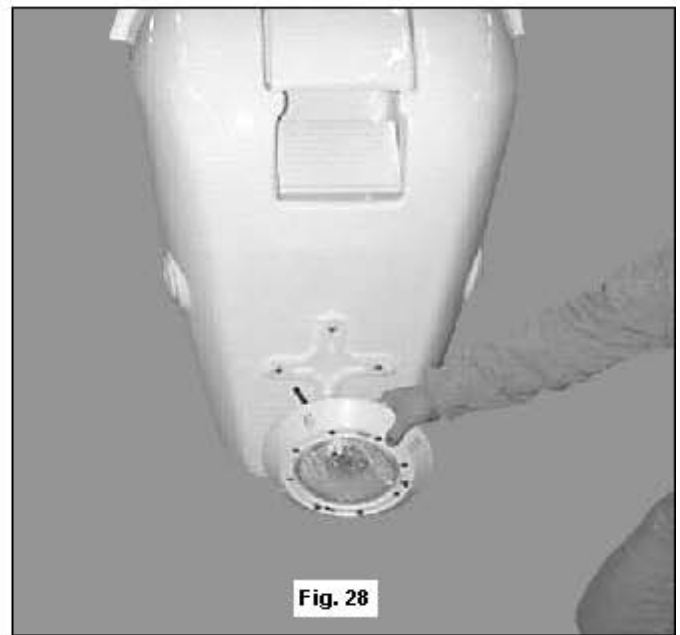


Fig. 28

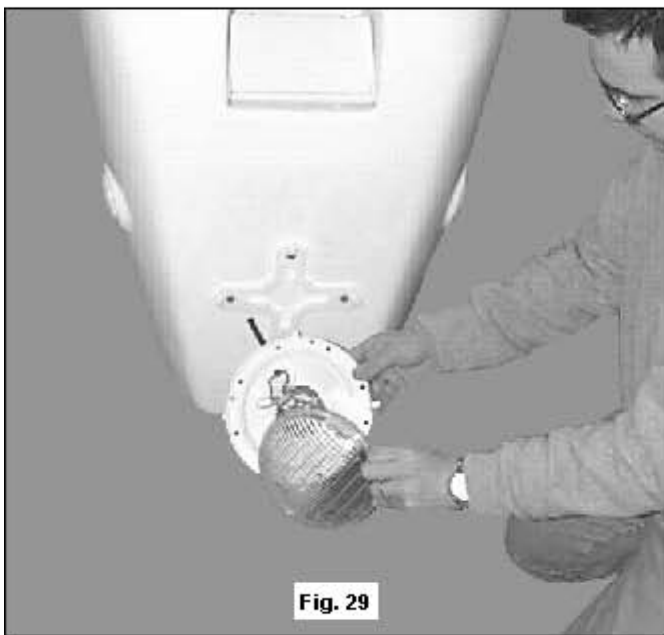


Fig. 29

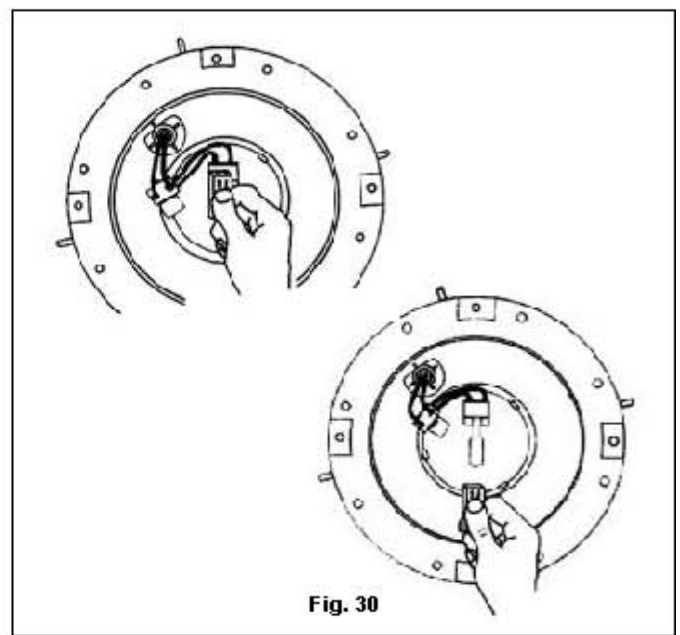
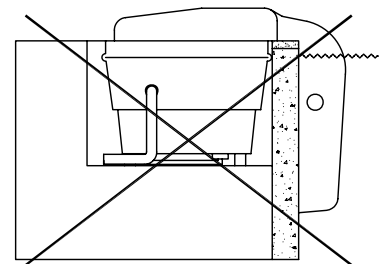
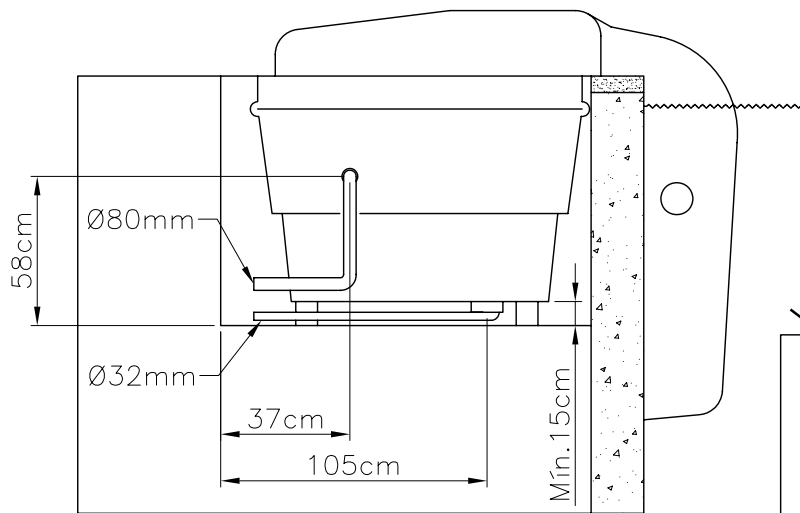
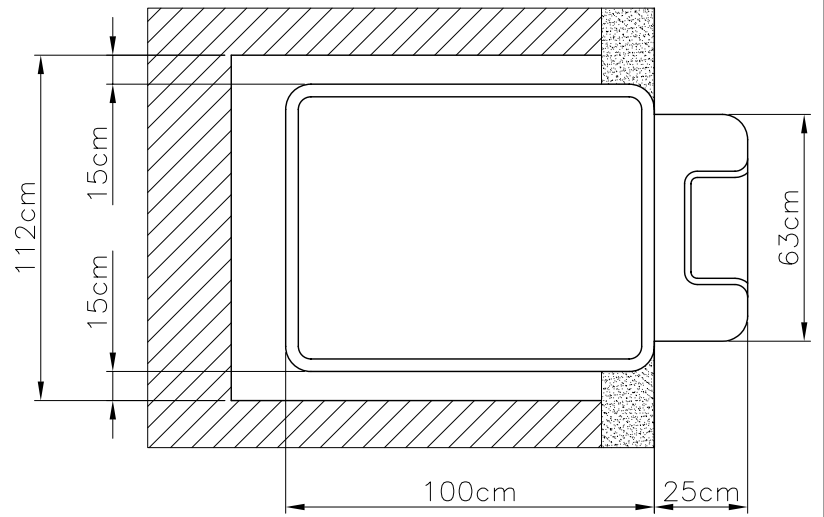
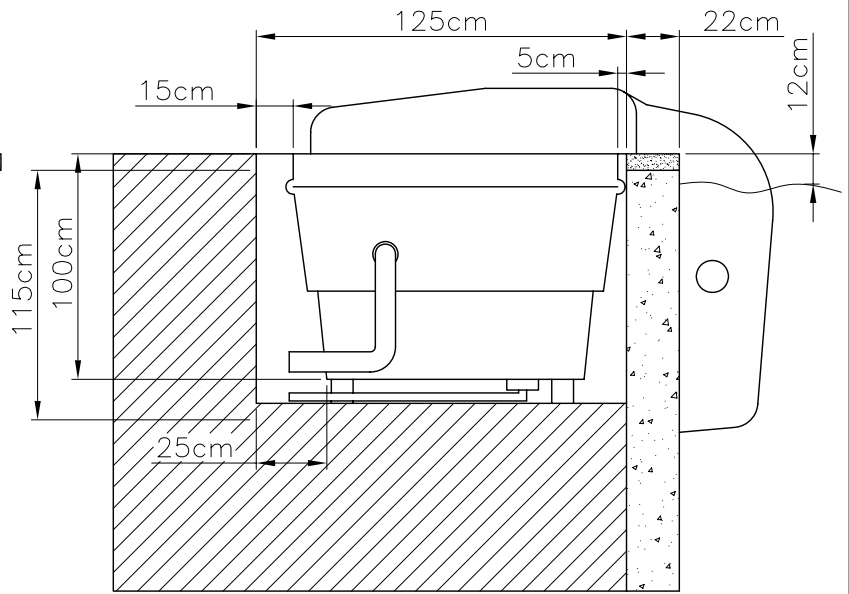
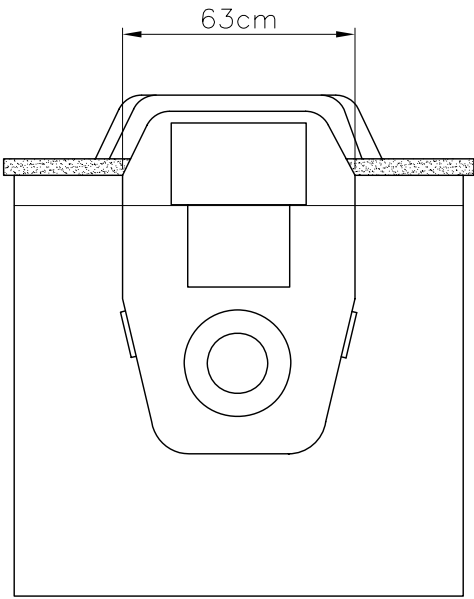


Fig. 30

# INFORMACIÓN PARA INSTALACIÓN



## GUARANTEE CERTIFICATE

### 1 GENERAL TERMS

- 1.1 In accordance with these provisions, the seller guarantees that the product corresponding to this guarantee ("the Product") is in perfect condition at the time of delivery.
- 1.2 The Guarantee Term for the Product is two (2) years from the time it is delivered to the purchaser.
- 1.3 In the event of any defect in the Product that is notified by the purchaser to the seller during the Guarantee Term, the seller will be obliged to repair or replace the Product, at his own cost and wherever he deems suitable, unless this is impossible or unreasonable.
- 1.4 If it is not possible to repair or replace the Product, the purchaser may ask for a proportional reduction in the price or, if the defect is sufficiently significant, the termination of the sales contract.
- 1.5 The replaced or repaired parts under this guarantee, will not extend the guarantee period of the original Product, but will have a separate guarantee.
- 1.6 In order for this guarantee to come into effect, the purchaser must provide proof of the date of purchase and delivery of the Product.
- 1.7 If, after six months from the delivery of the Product to the purchaser, he notifies a defect in the Product, the purchaser must provide proof of the origin and existence of the alleged defect.
- 1.8 This Guarantee Certificate is issued without prejudice to the rights corresponding to consumers under national regulations.

### 2 INDIVIDUAL TERMS

- 2.1 This guarantee covers the products referred to in this manual.
- 2.2 This Guarantee Certificate will only be applicable in European Union countries.
- 2.3 For this guarantee to be effective, the purchaser must strictly follow the Manufacturer's instructions included in the documentation provided with the Product, in cases where it is applicable according to the range and model of the Product.
- 2.4 When a time schedule is specified for the replacement, maintenance or cleaning of certain parts or components of the Product, the guarantee will only be valid if this time schedule has been followed.

### 3 LIMITATIONS

- 3.1 This guarantee will only be applicable to sales made to consumers, understanding by "consumer", a person who purchases the Product for purposes not related to his professional activities.
  - 3.2 The normal wear resulting from using the product is not guaranteed. With respect to expendable or consumable parts, components and/or materials, such as batteries, light bulbs, etc. the stipulations in the documentation provided with the Product, will apply.
  - 3.3 The guarantee does not cover those cases when the Product; (I) has been handled incorrectly; (II) has been repaired, serviced or handled by non-authorized people or (III) has been repaired or serviced not using original parts.
- In cases where the defect of the Product is a result of incorrect installation or start-up, this guarantee will only apply when said installation or start-up is included in the sales contract of the Product and has been conducted by the seller or under his responsibility.

## CERTIFICADO DE GARANTÍA

### 1 ASPECTOS GENERALES

- 1.1 De acuerdo con estas disposiciones, el vendedor garantiza que el producto correspondiente a esta garantía ("el Producto") no presenta ninguna falta de conformidad en el momento de su entrega.
- 1.2 El Periodo de Garantía para el Producto es de dos (2) años y se calculará desde el momento de su entrega al comprador.
- 1.3 Si se produjera una falta de conformidad del Producto y el comprador lo notificase al vendedor durante el Periodo de Garantía, el vendedor deberá reparar o sustituir el Producto a su propio coste en el lugar donde considere oportuno, salvo que ello sea imposible o desproporcionado.
- 1.4 Cuando no se pueda reparar o sustituir el Producto, el comprador podrá solicitar una reducción proporcional del precio o, si la falta de conformidad es suficientemente importante, la resolución del contrato de venta.
- 1.5 Las partes sustituidas o reparadas en virtud de esta garantía no ampliarán el plazo de la garantía del Producto original, si bien dispondrán de su propia garantía.
- 1.6 Para la efectividad de la presente garantía, el comprador deberá acreditar la fecha de adquisición y entrega del Producto.
- 1.7 Cuando hayan transcurrido más de seis meses desde la entrega del Producto al comprador y éste alegue falta de conformidad de aquél, el comprador deberá acreditar el origen y la existencia del defecto alegado.
- 1.8 El presente Certificado de Garantía no limita o prejuzga los derechos que correspondan a los consumidores en virtud de normas nacionales de carácter imperativo.

### 2 CONDICIONES PARTICULARES

- 2.1 La presente garantía cubre los productos a que hace referencia este manual.
- 2.2 El presente Certificado de Garantía será de aplicación únicamente en los países de la Unión Europea.
- 2.3 Para la eficacia de esta garantía, el comprador deberá seguir estrictamente las indicaciones del Fabricante incluidas en la documentación que acompaña al Producto, cuando ésta resulte aplicable según la gama y modelo del Producto.
- 2.4 Cuando se especifique un calendario para la sustitución, mantenimiento o limpieza de ciertas piezas o componentes del Producto, la garantía sólo será válida cuando se haya seguido dicho calendario correctamente.

### 3 LIMITACIONES

- 3.1 La presente garantía únicamente será de aplicación en aquellas ventas realizadas a consumidores, entendiéndose por "consumidor", aquella persona que adquiere el Producto con fines que no entran en el ámbito de su actividad profesional.
  - 3.2 No se otorga ninguna garantía respecto del normal desgaste por uso del producto. En relación con las piezas, componentes y/o materiales fungibles o consumibles como pilas, bombillas etc., se estará a lo dispuesto en la documentación que acompañe al Producto, en su caso.
  - 3.3 La garantía no cubre aquellos casos en que el Producto: (I) haya sido objeto de un trato incorrecto; (II) haya sido reparado, mantenido o manipulado por persona no autorizada o (III) haya sido reparado o mantenido con piezas no originales.
- Cuando la falta de conformidad del Producto sea consecuencia de una incorrecta instalación o puesta en marcha, la presente garantía sólo responderá cuando dicha instalación o puesta en marcha esté incluida en el contrato de compra-venta del Producto y haya sido realizada por el vendedor o bajo su responsabilidad.

## CERTIFICAT DE GARANTIE

### 1 ASPECTS GÉNÉRAUX

- 1.1 Conformément à ces dispositions, le vendeur garantit que le produit correspondant à cette garantie ("le Produit") ne présente aucun défaut de conformité à la date de sa livraison.
- 1.2 La Période de Garantie pour le Produit est de deux (2) ans et elle sera calculée à partir du moment de sa remise à l'acheteur.
- 1.3 S'il se produisait un défaut de conformité du Produit et si l'acheteur le notifiait au vendeur pendant la Période de Garantie, le vendeur devrait réparer ou remplacer le Produit à ses propres frais à l'endroit qu'il jugerait opportun, à moins que cela soit impossible ou disproportionné.
- 1.4 Lorsque le Produit ne pourra être ni réparé ni remplacé, l'acheteur pourra demander une réduction proportionnelle du prix ou, si le défaut de conformité est suffisamment important, la résolution du contrat de vente.
- 1.5 Les parties remplacées ou réparées en vertu de cette garantie n'élargiront pas le délai de la garantie du Produit original, celles-ci étant cependant couvertes par leur propre garantie.
- 1.6 Pour l'effectivité de la présente garantie, l'acheteur devra justifier la date d'acquisition et de remise du Produit.
- 1.7 Quand plus de six mois se seront écoulés depuis la remise du Produit à l'acheteur et que ce dernier alléguera un défaut de conformité de ce Produit, l'acheteur devra justifier l'origine et l'existence du défaut allégué.
- 1.8 Le présent Certificat de Garantie ne limite pas, ni préjuge les droits correspondant aux consommateurs en vertu des normes nationales de nature impérative.

### 2 CONDITIONS PARTICULIÈRES

- 2.1 La présente garantie couvre les produits auxquels ce manuel fait référence.
- 2.2 Le présent Certificat de Garantie ne sera applicable que dans les pays de l'Union européenne.
- 2.3 En vue de l'efficacité de cette garantie, l'acheteur devra suivre strictement les indications du Fabricant comprises dans la documentation qui est jointe au Produit, quand celle-ci sera applicable selon la gamme et le modèle du Produit.
- 2.4 Quand un calendrier sera spécifié pour le remplacement, la maintenance ou le nettoyage de certaines pièces ou de certains composants du Produit, la garantie sera valable uniquement lorsque ledit calendrier aura été suivi correctement.

### 3 LIMITATIONS

- 3.1 La présente garantie ne sera applicable que dans les ventes réalisées aux consommateurs, considérant comme "consommateur", toute personne qui achète le Produit à des fins qui n'entrent pas dans le cadre de son activité professionnelle.
  - 3.2 Aucune garantie n'est concédée quant à l'usure normale due à l'utilisation du produit. En ce qui concerne les pièces, composants et/ou matériels fongibles ou consommables comme les piles, les ampoules, etc., il faudra respecter, le cas échéant, ce qui est stipulé dans la documentation qui est jointe au Produit.
  - 3.3 La garantie ne couvre pas les cas où le Produit : (I) a fait l'objet d'un traitement incorrect ; (II) a été réparé, entretenu ou manipulé par une personne non autorisée ou (III) a été réparé ou entretenu avec des pièces n'étant pas d'origine.
- Quand le défaut de conformité du Produit sera la conséquence d'une installation ou d'une mise en marche incorrectes, la présente garantie répondra uniquement lorsque ladite installation ou ladite mise en marche sera incluse dans le contrat d'achat et de vente du Produit et aura été réalisée par le vendeur ou sous sa responsabilité.

## GARANTIEZERTIFIKAT

### 1 ALLGEMEINE GESICHTSPUNKTE

- 1.1 In Übereinstimmung mit diesen Verfügungen garantiert der Verkäufer, dass das Produkt dieser Garantie ("das Produkt") entspricht und dass es im Moment der Übergabe in allen Punkten mit den Anforderungen übereinstimmt.
- 1.2 Der Garantiezeitraum für das Produkt beträgt zwei (2) Jahre und wird ab dem Augenblick der Lieferung an den Käufer gerechnet.
- 1.3 Falls ein Mangel am Produkt auftritt und der Käufer den Verkäufer innerhalb des Garantiezeitraums darüber unterrichtet, muss der Verkäufer das Produkt auf eigene Kosten dort reparieren oder ersetzen, wo es für ihn am günstigsten ist, es sei denn, dies ist unmöglich oder unverhältnismäßig.
- 1.4 Wenn das Produkt weder repariert noch ersetzt werden kann, kann der Käufer einen angemessenen Preisnachlass beantragen, oder, falls es sich um einen größeren Mangel handelt, die Auflösung des Kaufvertrages.
- 1.5 Die Teile, die aufgrund dieser Garantie ersetzt oder repariert werden, verlängern den Garantiezeitraum für das Originalprodukt nicht. Jedoch existiert für diese Teile eine eigene Garantie.
- 1.6 Um die vorliegende Garantie wirksam werden zu lassen, muss der Käufer das Kaufdatum und das Lieferdatum des Produktes belegen.
- 1.7 Nach Ablauf von sechs Monaten ab Lieferung des Produktes an den Käufer muss, im Falle eines Mangels, der Käufer den Ursprung und das Vorhandensein des angegebenen Mangels belegen.
- 1.8 Das vorliegende Garantiezertifikat schränkt die Rechte, die der Verbraucher aufgrund der herrschenden, nationalen Gesetzgebung hat, nicht ein.

### 2 SONDERBEDINGUNGEN

- 2.1 Die vorliegende Garantie gilt für die Produkte, auf die sich dieses Handbuch bezieht.
- 2.2 Das vorliegende Garantiezertifikat ist nur in den Ländern der Europäischen Gemeinschaft anwendbar.
- 2.3 Diese Garantie gilt nur, wenn der Käufer alle Anweisungen des Herstellers, die in der produktbegleitenden Dokumentation enthalten und für die jeweilige Produktlinie und Modell anwendbar ist, streng einhält.
- 2.4 Wenn ein Zeitplan für den Austausch von Teilen, die Instandhaltung und Reinigung bestimmter Teile oder Produktkomponenten aufgestellt wurde, gilt die Garantie nur dann, wenn dieser Zeitplan korrekt eingehalten wurde.

### 3 EINSCHRÄNKUNGEN

- 3.1 Die vorliegende Garantie ist nur auf Verkäufe an Verbraucher anwendbar. "Verbraucher" sind alle Personen, die dieses Produkt zu privaten Zwecken erwerben.
- 3.2 Es wird keine Garantie für die normale Abnutzung durch den Gebrauch des Produktes gewährt. Informationen über Teile, Komponenten und/oder verschleißbare Materialien oder Verbrauchsgüter oder Batterien, Glühbirnen etc. finden Sie in der Dokumentation, die das jeweilige Produkt begleitet.
- 3.3 In folgenden Fällen gilt die Garantie nicht: (I) Das Produkt wurde nicht korrekt benutzt; (II) das Produkt wurde von nicht autorisierten Personen repariert, instandgehalten oder bedient oder (III) das Produkt wurde mit nicht originalen Ersatzteilen repariert oder instandgehalten.  
Wenn der Mangel auf eine falsche Installation oder Inbetriebnahme zurückzuführen ist, gilt die vorliegende Garantie nur, wenn diese Installation oder Inbetriebnahme in den Kaufvertrag des Produktes eingeschlossen war, und von dem Verkäufer oder auf dessen Verantwortung durchgeführt wurde.

## CERTIFICATO DI GARANZIA

### 1 ASPETTI GENERALI

- 1.1 Ai sensi delle seguenti disposizioni, il venditore garantisce che il prodotto corrispondente a questa garanzia ("il Prodotto") non presenta alcun difetto di conformità al momento Della sua consegna.
- 1.2 Il Periodo di Garanzia per il Prodotto è di due (2) anni a decorrere dal momento della consegna dello stesso all'acquirente.
- 1.3 Nel caso in cui si venisse a produrre un difetto di conformità del Prodotto e l'acquirente lo notificasse al venditore entro il Periodo di Garanzia, il venditore dovrà riparare o sostituire il Prodotto a sue spese nel luogo che consideri opportuno, salvo che ciò risulti impossibile o sproporzionato.
- 1.4 Qualora non fosse possibile riparare o sostituire il Prodotto, l'acquirente potrà richiedere una riduzione proporzionale del prezzo o, nel caso in cui il difetto di conformità fosse sufficientemente importante, lo scioglimento del contratto di vendita.
- 1.5 Le parti sostituite o riparate in virtù della presente garanzia non rappresenteranno un prolungamento della scadenza della garanzia del Prodotto originale, quantunque disporranno di una loro propria garanzia.
- 1.6 Affinché la presente possa essere valida, l'acquirente dovrà attestare la data di acquisto e consegna di del Prodotto.
- 1.7 Una volta trascorsi più di sei mesi dalla consegna del Prodotto all'acquirente, qualora quest'ultimo dichiarerà un difetto di conformità del medesimo, l'acquirente dovrà attestare l'origine e l'esistenza del difetto dichiarato.
- 1.8 Il presente Certificato di Garanzia non limita o preclude i diritti che corrispondano ai consumatori in virtù delle norme nazionali di carattere imperativo.

### 2 CONDIZIONI PARTICOLARI

- 2.1 La presente garanzia copre i prodotti ai quali si riferisce questo manuale.
- 2.2 Il presente Certificato di Garanzia avrà vigore unicamente nell'ambito dei paesi dell'Unione Europea.
- 2.3 Per la validità di questa garanzia, l'acquirente dovrà rispettare in maniera rigorosa le indicazioni del Fabricante indicate nella documentazione che viene allegata al Prodotto, quando questa risulti applicabile secondo la gamma e il modello del Prodotto.
- 2.4 Nel caso in cui venga specificato un calendario per la sostituzione, la manutenzione o la pulizia di determinati pezzi o componenti del Prodotto, la garanzia sarà valida solo quando qualora detto calendario sia stato rispettato in maniera corretta.

### 3 LIMITAZIONI

- 3.1 La presente garanzia sarà valida unicamente per le vendite realizzate a consumatori, laddove per "consumatori" s'intende quella persona che acquista il Prodotto con scopi che non rientrano nell'ambito della sua attività professionale.
- 3.2 Non viene concessa alcuna garanzia nei riguardi del normale consumo per uso del prodotto. In merito ai pezzi, ai componenti e/o ai materiali fusibili o consumabili come pile, lampadine, ecc., ove sussista si applicherà quanto disposto nella documentazione che è allegata al Prodotto.
- 3.3 La garanzia non copre i casi in cui il Prodotto: (I) sia stato oggetto di un uso non corretto; (II) sia stato riparato, manipolato o la manutenzione sia stata effettuata da una persona non autorizzata o (III) sia stato riparato o la manutenzione sia stata effettuata con pezzi non originali.  
Qualora il difetto di conformità del Prodotto sia conseguenza di una installazione o messa in marcia non corretta, la presente garanzia risponderà solo nel caso in cui la suddetta installazione o messa in marcia sia compresa nel contratto di compravendita del Prodotto e sia stata realizzata dal venditore o sotto la sua responsabilità.

## CERTIFICADO DE GARANTIA

### 1 CONDIÇÕES GERAIS

- 1.1 De acordo com estas disposições, o vendedor garante que, no momento da entrega, o produto correspondente a esta garantia ("o Produto") não apresenta nenhum tipo de falta de conformidade.
- 1.2 O Período de Garantia para o Produto é de dois (2) anos, contados a partir da data de entrega ao comprador.
- 1.3 Se, durante o período de garantia, o comprador notificar ao vendedor alguma falta de conformidade do Produto, o vendedor deverá reparar ou substituir o Produto por sua conta no lugar onde considerar conveniente, salvo que isso seja impossível ou desmesurado.
- 1.4 Quando não for possível reparar ou substituir o Produto, o comprador poderá solicitar uma redução proporcional do preço ou, se a falta de conformidade for o suficientemente grave, a rescisão do contrato de venda.
- 1.5 As partes substituídas ou reparadas em virtude desta garantia não ampliarão o período de garantia do Produto original, mas disporão da sua própria garantia.
- 1.6 Para que a presente garantia tenha efeito, o comprador deverá apresentar o comprovante da data de compra e de entrega do Produto.
- 1.7 Se o comprador alegar uma falta de conformidade do Produto, passados mais de seis meses da data de entrega do mesmo, deverá demonstrar a origem e a existência do defeito alegado.
- 1.8 O presente Certificado de Garantia não limita nem afecta os direitos dos consumidores derivados das normas nacionais de carácter imperativo.

### 2 CONDIÇÕES PARTICULARES

- 2.1 A presente garantia cobre os produtos descritos neste manual.
- 2.2 O presente Certificado de Garantia só será válido nos países da União Europeia.
- 2.3 Para a eficácia desta garantia, o comprador deverá seguir rigorosamente as indicações do Fabricante contidas na documentação fornecida com o Produto, quando a mesma for aplicável em função da gama e do modelo do Produto.
- 2.4 No caso de se estabelecer um calendário para a substituição, manutenção ou limpeza de determinadas peças ou componentes do Produto, a garantia só será válida se o citado calendário tiver sido cumprido rigorosamente.

### 3 LIMITAÇÕES

- 3.1 A presente garantia só será válida para as vendas realizadas a consumidores, entendendo-se por "consumidor" a pessoa que comprar o Produto com fins não abrangidos no âmbito da sua actividade profissional.
- 3.2 A garantia não cobre o desgaste normal derivado do uso do produto. Em relação às peças, componentes e/ou materiais fungíveis ou consumíveis como pilhas, lâmpadas, etc., terá efeito o disposto na documentação fornecida com o Produto, em cada caso.
- 3.3 Esta garantia não abrange as seguintes situações: (I) Se o Produto tiver sido objecto de um uso incorrecto; (II) tiver sido reparado, sofrido manutenção ou manipulado por pessoas não autorizadas ou (III) tiver sido reparado ou as suas peças substituídas por peças não originais.  
Quando a falta de conformidade do Produto for consequência de uma instalação ou colocação em funcionamento incorrecta, a presente garantia só será válida se a referida instalação ou colocação em funcionamento estiver incluída no contrato de compra-venda do Produto e tiver sido realizada pelo vendedor ou sob sua responsabilidade.

**EVIDENCE OF CONFORMITY / DÉCLARATION DE CONFORMITÉ / DECLARACIÓN DE CONFORMIDAD / DICHIARAZIONE DI CONFORMITÀ / KONFORMITÄTSEKTLÄRUNG / DECLARAÇÃO DE CONFORMIDADE**

-The products listed above are in compliance with the safety prescriptions:

- 2006/42/EC Machine Directive Safety prescriptions.
- 2004/108/EC *Electromagnetic compatibility Directive*.
- 2006/95/EC Low voltage Directive.
- 2000/14/EC Noise emission Directive.
- EN 60335-2-41 European Directive.
- 2002/95/EC European Directive (RoHS)

-Les produits énumérés ci-dessus sont conformes aux prescriptions de sécurité:

- Directive de sécurité de machines 2006/42/CE.
- Directive de compatibilité électromagnétique 2004/108/CE.
- Directive d'équipements de basse tension 2006/95/CE.
- Directive d'émission sonore 2000/14/CE.
- Directive Européenne EN 60335-2-41.
- Directive Européenne 2002/95/CE (RoHS)

-Los productos arriba enumerados se hallan conformes con:

- Directiva de seguridad de máquinas 2006/42/CE.
- Directiva de compatibilidad electromagnética 2004/108/CE.
- Directiva de equipos de baja tensión 2006/95/CE.
- Directiva de emisión sonora 2000/14/CE.
- Directiva Europea EN 60335-2-41.
- Directiva Europea 2002/95/CE (RoHS)

-I prodotti su elencati sono conformi al quanto segue:

- Direttiva sulla sicurezza delle macchine 2006/42/CE.
- Direttiva sulla compatibilità elettromagnetica 2004/108/CE.
- Direttiva apparecchiatura in bassa tensione 2006/95/CE.
- Direttiva sulle emissioni sonore 2000/14/CE.
- Direttiva Europea EN 60335-2-41.
- Direttiva Europea 2002/95/CE (RoHS)

- Die oben angeführten Produkte entsprechen den Sicherheitsbestimmungen:

- Richtlinie 2006/42/EWG über die Sicherheit von Maschinen.
- Richtlinie 2004/108/EWG über elektromagnetische Verträglichkeit.
- Richtlinie 2006/95/EWG über die Sicherheit von elektrischen Betriebsmitteln (Niederspannungsrichtlinie).
- Richtlinie 2000/14/EWG über Geräuschemissionen.
- Europäischen Richtlinie EN 60335-2-41.
- Europäischen Richtlinie 2002/95/EWG (RoHS)

-Os produtos da lista acima estão conformes as:

- Directiva de segurança de máquinas 2006/42/CE.
- Directiva de compatibilidade electromagnética 2004/108/CE.
- Directiva de equipamentos de baixa tensão 2006/95/CE.
- Directiva de emissão sonora 2000/14/CE.
- Directiva Europeia EN 60335-2-41.
- Directiva Europeia 2002/95/CE (RoHS)

Sign the present conformity evidence/ Signe la présente déclaration/ Firma la presente declaración/ Firma la seguente dichiarazione/  
Unterzeichnet diese Erklärung / Assina a presente declaração:  
Polinyà, 07/01/2010

Signature / Firma / Unterschrift / Assinatura



José Manuel Aquilué

Managing Director of METALAST.

**TECHNICAL CHARACTERISTICS**

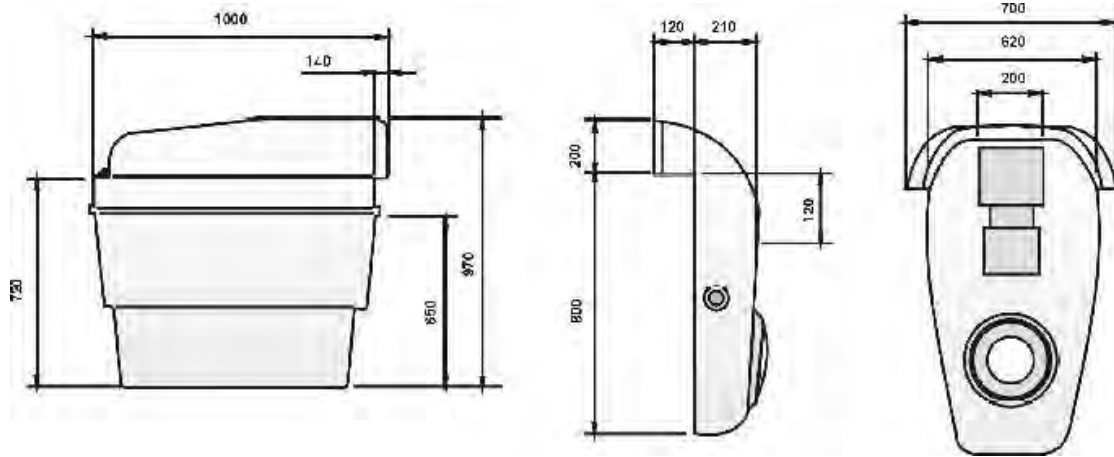
**CARACTERÍSTIQUES TECHNIQUES**

**CARACTERÍSTICAS TÉCNICAS**

**CARATTERISTICHE TECNICHE**

**TECHNISCHE ANGABEN**

**CARACTERISTICAS TECNICAS**



<b>FILTERING SPECIFICATIONS/CARACTÉRISTIQUES DE FILTRATION/CARACTERÍSTICAS DE FILTRACIÓN/ CARATTERISTICHE DI FILTRAGGIO/FILTERDATEN/CARACTERÍSTICAS DE FILTRAÇÃO</b>	
Filtering system/Système de filtration/Sistema de filtración/Sistema di filtraggio/Filtersystem/Sistema de filtração	SAND/SABLE/ARENA/SABBIA/SAND/AREIA
Flow/Débit/Caudal/Portata/Durchflussmenge/Caudal	9.000 l/h
Filtering surface area/Surface filtrante/Superficie filtrante/Superficie filtrante/Filterfläche/Superficie filtrante	0,196 m <sup>2</sup>
Filtering velocity/Vitesse de filtration/Velocidad de filtración/Velocità di filtraggio/Filtergeschwindigkeit/Velocidade de filtração	50 m <sup>3</sup> /h m <sup>2</sup>
Number of filters/Nombre de filtres/Número de filtros/Numero di filtri/Anzahl der Filter/Número de filtros	1
Filter code/Code filtre/Código filtro/Codice filtro/Filtercode/Código filtro	09922
<b>PUMP SPECIFICATIONS/CARACTÉRISTIQUES DE LA POMPE/CARACTERÍSTICAS DE LA BOMBA/CARATTERISTICHE DELLA POMPA/ DATEN DER PUMPE/CARACTERÍSTICAS DA BOMBA</b>	
Voltage/Tension/Voltaje/Voltaggio/Voltzahl/Voltage	Mod. 22440: 230 V. 50 Hz
Power/Puissance/Potencia/Potenza/Leistung/Potência	0,55 kW - 3/4 CV
Consumption/Consommation/Consumo/Consumo/Verbrauch/Consumo	22440: 3,7 A
Flow at 10 m.c.a./Débit à 10 m.c.e./Caudal a 10 m.c.a./Portata a 10 m.c.a./Durchflussmenge bei 10 m. W.S./Caudal a 10 m.c.a.	8 m <sup>3</sup> /h
Pump model/Modèle pompe/Modelo bomba/Modello pompa/Pumpenmodell/Modelo bomba	SENA 0,75 II
Pump Code Model/Code pompe/Modelo Código bomba/Modello codice pompa/Modell Pumpencode/Modelo Código bomba	25463 (mod. 22440)
<b>LIGHTING FEATURES/CARACTÉRISTIQUES D'ÉCLAIRAG/CARACTERÍSTICAS DE ILUMINACIÓN/CARATTERISTICHE DELL'ILLUMINAZIONE/BELEUCHTUNGSDATEN/CARACTERÍSTICAS DE ILUMINAÇÃO</b>	
Voltage/Tension d'alimentation/Tensión de alimentación/Tensione dell'alimentazione/Netzspannung/Tensão de alimentação	22440: 230 V
Transformer/Transformateur/Transformador/Trasformatore/Transformator/Transformador	22440: 230 V - 12 V
Lamp voltage/Tension lampe/Voltaje de la lámpara/Voltaggio della lampadina/Voltzahl der Lampe/Voltage da lâmpada	12 V AC
Power/Puissance/Potencia/Potenza/Leistung/Potência	100 W

Model. 22439/22440

METALAST, S.A.U. Passeig de Sanllehy -08213- POLINYA (Barcelona)